

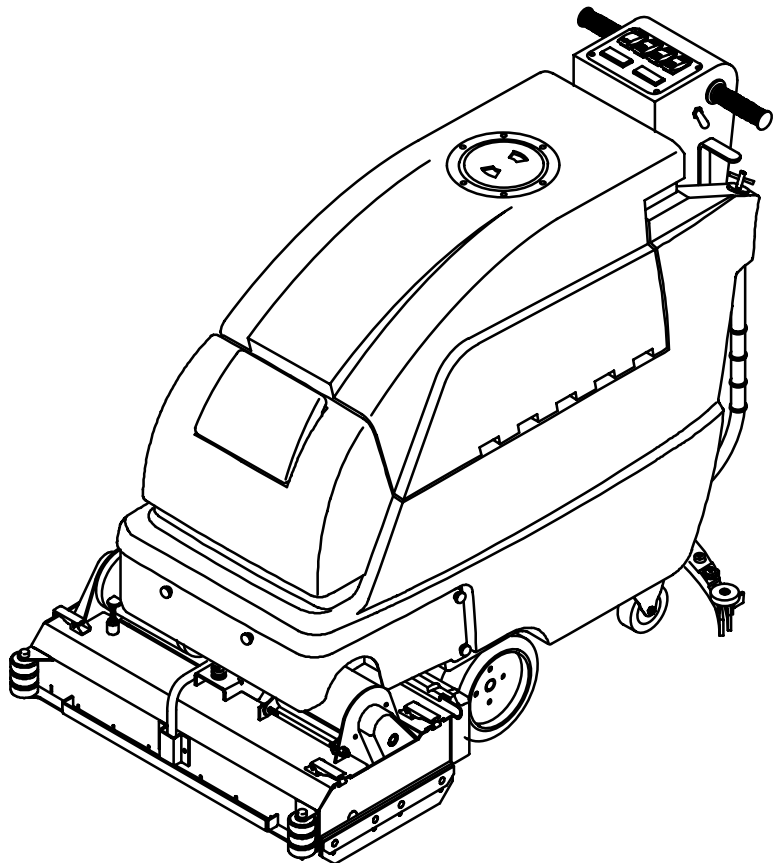


# Speed Scrub™ 2601

Cylindrical Brush Automatic Scrubber  
Limpiador Automático de Cepillo Cilíndrico

Model No.:  
1002193

Operator and Parts Manual  
Manual del Operador y Piezas



NOBLES  
12875 RANSOM STREET  
HOLLAND MI 49424 U.S.A.

CUSTOMER SERVICE: 1-800-365-6625  
FAX: 1-800-678-4240

613614  
Rev. 00 (12-02)

# OPERATION

---

This manual is furnished with each new model. It provides necessary operation and maintenance instructions and an illustrated parts list.

**Read this manual completely and understand the machine before operating or servicing it.**

When ordering replacement parts, use the parts list section in this manual. Before ordering parts or supplies, be sure to have your machine model number and serial number available. Parts and supplies may be ordered by phone or mail from any authorized Service Center or Distributor.

This machine will provide excellent service. However, the best results will be obtained at minimum costs if:

- The machine is operated with reasonable care.
- The machine is maintained regularly - per the machine maintenance instructions provided.
- The machine is maintained with manufacturer supplied or equivalent parts.

---

## MACHINE DATA

---

Please fill out at time of installation for future reference.

Model No.- \_\_\_\_\_

Install. Date - \_\_\_\_\_

Serial No.- \_\_\_\_\_

©2002 Tennant Company

Printed in U.S.A.

Nobles and Speed Scrub are registered United States trademarks of Tennant Company.

Specifications and parts are subject to change without notice.

## TABLE OF CONTENTS

(ESPAÑOL ÍNDICE....24)

<b>SAFETY PRECAUTIONS</b> .....	<b>4</b>	ELECTRICAL / BATTERY GROUP .....	56
<b>WARNING LABELS</b> .....	<b>5</b>	DRIVE GROUP .....	58
<b>MACHINE COMPONENTS</b> .....	<b>6</b>	SCRUB HEAD ACTUATOR GROUP .....	60
<b>CONTROL PANEL SYMBOLS</b> .....	<b>6</b>	SCRUB HEAD GROUP .....	62
<b>MACHINE INSTALLATION</b> .....	<b>7</b>	SOLUTION CONTROL GROUP .....	66
UNCRATING MACHINE .....	7	SQUEEGEE CONTROL GROUP .....	68
INSTALLING BATTERIES .....	7	SQUEEGEE ASSEMBLY GROUP – 838mm (33 in) .....	70
<b>MACHINE SETUP</b> .....	<b>8</b>	<b>OPCIONES</b> .....	<b>72</b>
ATTACHING SQUEEGEE ASSEMBLY .....	8	ES KIT .....	72
INSTALLING BRUSHES .....	8	SQUEEGEE WAND ASSEMBLY .....	74
FILLING SOLUTION TANK .....	9	HOUR METER, EMERGENCY STOP, KEYSWITCH AND LOW VOLTAGE KITS ...	75
ADJUSTING CONTROL GRIP HEIGHT .....	9		
<b>MACHINE OPERATION</b> .....	<b>10</b>		
PRE-OPERATION CHECKS .....	10		
OPERATING MACHINE .....	10		
WHILE OPERATING MACHINE .....	11		
STOPPING MACHINE .....	11		
EMERGENCY STOPPING (OPTION) .....	11		
CIRCUIT BREAKERS .....	12		
<b>DRAINING TANKS</b> .....	<b>12</b>		
DRAINING RECOVERY TANK .....	12		
DRAINING SOLUTION TANK .....	13		
<b>ADJUSTING BRUSHES</b> .....	<b>13</b>		
TO ADJUST BRUSH WITH UNEVEN PATTERN: .....	13		
TO ADJUST BRUSH WITH TAPERED PATTERN: .....	14		
<b>CHARGING BATTERIES</b> .....	<b>14</b>		
<b>MACHINE MAINTENANCE</b> .....	<b>16</b>		
DAILY MAINTENANCE .....	16		
WEEKLY MAINTENANCE .....	17		
MONTHLY MAINTENANCE .....	17		
QUARTERLY MAINTENANCE .....	18		
BATTERY MAINTENANCE .....	18		
<b>TRANSPORTING MACHINE</b> .....	<b>19</b>		
<b>STORING MACHINE</b> .....	<b>19</b>		
<b>RECOMMENDED STOCK ITEMS</b> .....	<b>19</b>		
<b>TROUBLE SHOOTING</b> .....	<b>20</b>		
<b>SPECIFICATIONS</b> .....	<b>22</b>		
<b>MACHINE DIMENSIONS</b> .....	<b>23</b>		
<b>ELECTRICAL DIAGRAMS</b> .....	<b>48</b>		
<b>PARTS LIST</b> .....	<b>50</b>		
SOLUTION TANK GROUP .....	50		
RECOVERY TANK GROUP .....	52		
CONSOLE GROUP .....	54		

# OPERATION

---

---


## SAFETY PRECAUTIONS

---

This machine is intended for commercial use. It is designed exclusively to scrub hard floors in an indoor environment and is not constructed for any other use. Use only recommended commercially available floor cleaners intended for machine application.

All operators must read, understand and practice the following safety precautions.

The following warning alert symbol and the "FOR SAFETY" heading are used throughout this manual as indicated in their description:

 **WARNING:** To warn of hazards or unsafe practices which could result in severe personal injury or death.

**FOR SAFETY:** To identify actions which must be followed for safe operation of equipment.

---

Failure to follow these warnings may result in: personal injury, electrocution, electrical shock, fire or explosion.

 **WARNING:** Do Not Use Flammable Liquids Or Operate Machine In Or Near Flammable Liquids, Vapors Or Combustible Dusts.

This machine is not equipped with explosion proof motors. The electric motors will spark upon start up and during operation which could cause a flash fire or explosion if machine is used in an area where flammable vapors/liquids or combustible dusts are present.

 **WARNING:** Do Not Pick Up Flammable Materials Or Reactive Metals.

 **WARNING:** Keep Sparks And Open Flame Away. Keep Battery Hood Open When Charging.

 **WARNING:** Disconnect Battery Cables Before Servicing Machine.

 **WARNING:** Moving Parts. Turn Off Power Before Working On Machine.

---

The following information signals potentially dangerous conditions to the operator or equipment:

### FOR SAFETY:

1. Do not operate machine:
  - With flammable liquids or near flammable vapors as an explosion or flash fire may occur.
  - Unless trained and authorized.
  - Unless operation manual is read and understood.
  - If not in proper operating condition.
2. Before starting machine:
  - Make sure all safety devices are in place and operate properly.
3. When using machine:
  - Go slow on inclines and slippery surfaces.
  - Wear no-slip shoes.
  - Use care when reversing machine.
  - Report machine damage or faulty operation immediately.
  - Never allow children to play on or around.
  - Follow mixing and handling instructions on chemical containers.
4. Before leaving or servicing machine:
  - Stop on level surface.
  - Turn off machine.
5. When servicing machine:
  - Avoid moving parts. Do not wear loose jackets, shirts, or sleeves.
  - Use hoist or jack that will support the weight of the machine.
  - Block machine tires before jacking up.
  - Wear eye and ear protection when using pressurized air or water.
  - Disconnect battery connections before working on machine.
  - Wear protective gloves and safety glasses when handling batteries or battery cables.
  - Avoid contact with battery acid.
  - Use manufacturer supplied or approved replacement parts.
  - All repairs must be performed by a qualified service person.
  - Do not modify the machine from its original design.

6. When transporting machine:

- Turn machine off.
- Get assistance when lifting machine.
- Do not lift machine when batteries are installed.

- Use a recommended ramp when loading/unloading into/off truck or trailer.
- Use tie-down straps to secure machine to truck or trailer.

WARNING LABELS

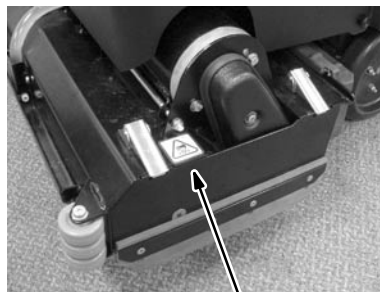
The warning labels appear on the machine in the locations indicated. Replace labels if they become damaged or illegible.

WARNING LABEL – LOCATED ON THE RECOVERY TANK.



**BATTERY CHARGE LABEL –**  
LOCATED INSIDE BATTERY  
COMPARTMENT.

**⚠ WARNING: Keep sparks and open flame away. Keep battery hood open when charging.**

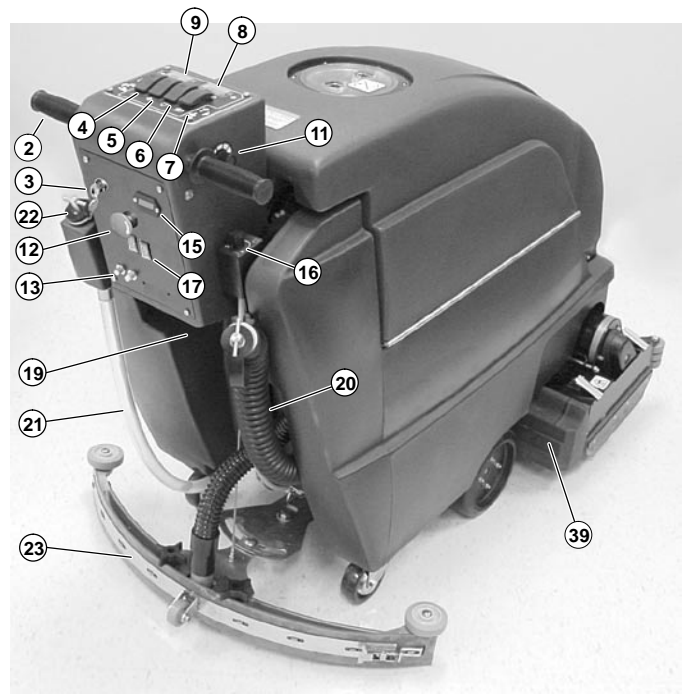
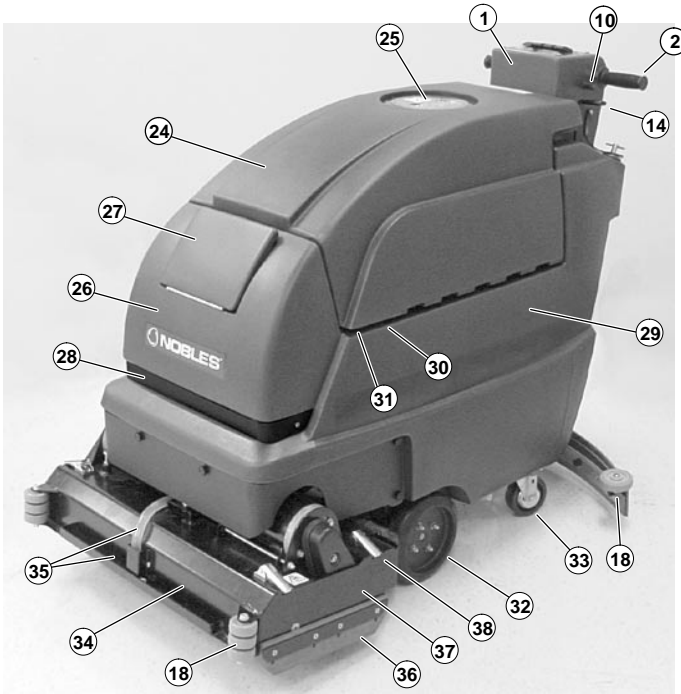


**MOVING PARTS LABEL – LOCATED**  
ON THE BRUSH HEAD SHROUD.

**⚠ WARNING: Moving parts. Turn off power before working on machine.**

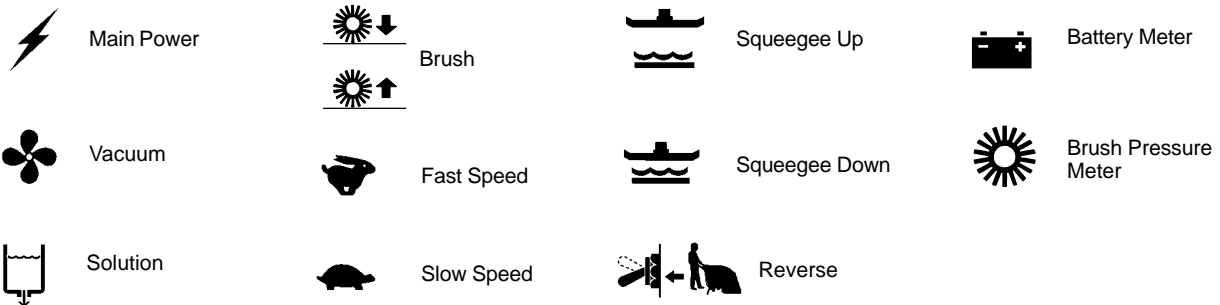
# OPERATION

## MACHINE COMPONENTS



- |                                      |                                       |                                  |
|--------------------------------------|---------------------------------------|----------------------------------|
| 1. Control Console                   | 14. Squeegee Lift Lever               | 27. Solution Tank Fill Door      |
| 2. Control Twist Grips               | 15. Low Voltage Meter (Optional)      | 28. Safety Lights                |
| 3. Key Switch (Optional)             | 16. Solution Flow Adjustment Knob     | 29. Battery Compartment          |
| 4. Main Power ON/OFF Switch          | 17. ES™ Switch (Optional)             | 30. Charger Plug                 |
| 5. Vacuum ON/OFF Switch              | 18. Wall Rollers                      | 31. Hour Meter (Optional)        |
| 6. Solution ON/OFF Switch            | 19. Adjustable Control Console Levers | 32. Drive Wheels                 |
| 7. Brush Pressure Switch             | 20. Recovery Tank Drain Hose          | 33. Rear Casters                 |
| 8. Brush Pressure Meter              | 21. Solution Tank Drain Hose          | 34. Cylindrical Brush Scrub Head |
| 9. Battery Meter                     | 22. Rear Fill Port                    | 35. Solution Feed Hose/Trough    |
| 10. Reverse Switch                   | 23. Squeegee Assembly                 | 36. Scrub Head Skirt             |
| 11. Speed Control Knob               | 24. Recovery Tank                     | 37. Brush Idler Plate            |
| 12. Power Kill Button (Optional)     | 25. Recovery Tank Lid                 | 38. Idler Plate Latch            |
| 13. Main, Vac/Drive Circuit Breakers | 26. Solution Tank                     | 39. Debris Trough                |

## CONTROL PANEL SYMBOLS



---

## MACHINE INSTALLATION

---

### UNCRATING MACHINE

1. Carefully check carton for signs of damage. Report damages at once to carrier.
2. Check Carton Contents list, contact distributor for missing items.  
Carton Contents:
  - Machine, Model No. 1002193
  - 24DC/120AC, 20A Battery Charger (#603235)
  - 2 – 12V, 215 AH Batteries (Installed)
  - 2– Cylindrical Brushes
  - Squeegee Assembly
3. To uncrate the machine, remove the rear and front shipping brackets that secure the machine to the pallet. Remove the rear 4x4 board from the pallet and carefully back the machine off the pallet. The pallet will tip downward creating a ramp. Make sure the scrub head is in the raised position.

**ATTENTION: Do not push machine off pallet edge, machine damage may occur.**

---

### INSTALLING BATTERIES

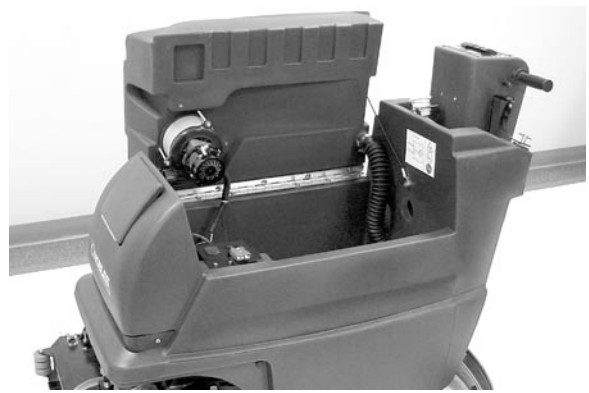
**⚠ WARNING: Keep Sparks And Open Flame Away. Keep Battery Hood Open When Charging.**

**FOR SAFETY: When servicing machine, wear protective gloves and safety glasses when handling batteries or battery cables. Avoid contact with battery acid.**

#### Recommended Battery Specifications:

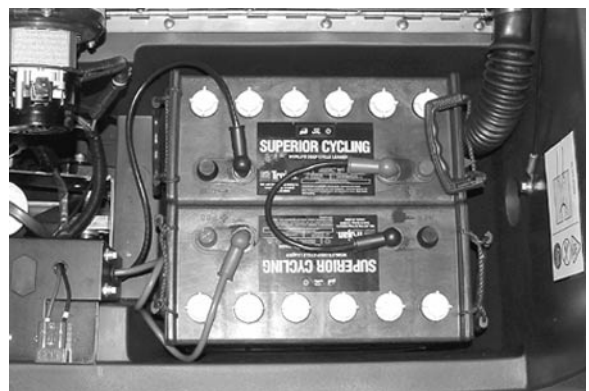
Two 12 volt, deep cycle, 215 A hour batteries.  
Maximum battery dimensions are 178mm (7 in) W x 381mm (15 in) L x 356mm (14 in) H.

1. Park the machine on a level surface and turn all switches to the OFF position.
2. Hinge open recovery tank to access battery compartment. Make sure recovery tank is drained before opening (Figure 1).



**FIG. 1**

3. Carefully install batteries into battery tray at bottom of compartment and arrange battery posts as shown (Figure 2).



**FIG. 2**

**ATTENTION: Do not drop batteries into compartment, battery and machine housing damage may result. This damage is not covered by warranty.**

4. Before connecting battery cables, make sure terminals and posts are clean. Use a post cleaner and wire brush if necessary.

**NOTE: Apply a light coating of non-metallic grease or protective spray on the cable connections to prevent battery corrosion.**

5. Connect cables to battery posts as shown (Figure 2), RED TO POSITIVE & BLACK TO NEGATIVE. Use the rubber boot post protectors supplied.
6. After batteries are properly installed, check battery meter charge level. The machine must be in full operation for an accurate reading (See MACHINE OPERATION). Charge batteries if needed.

# OPERATION

## MACHINE SETUP

### ATTACHING SQUEEGEE ASSEMBLY

1. Turn main power switch to the OFF position.

**FOR SAFETY: Before leaving or servicing machine, stop on level surface and turn off machine.**

2. Pull back on squeegee lift lever to raise the squeegee mount bracket (Figure 3).

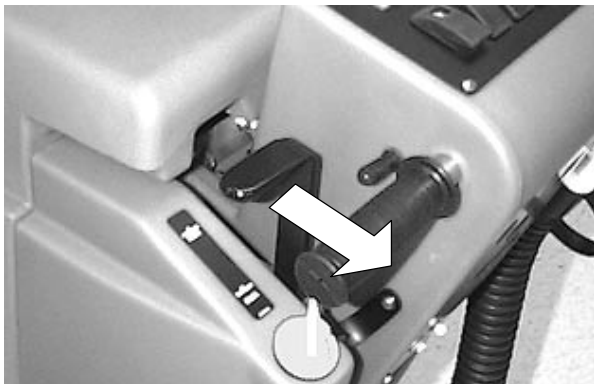


FIG. 3

3. Loosen the two thumb knobs on squeegee assembly and slide squeegee into slots on squeegee mount bracket (Figure 4).

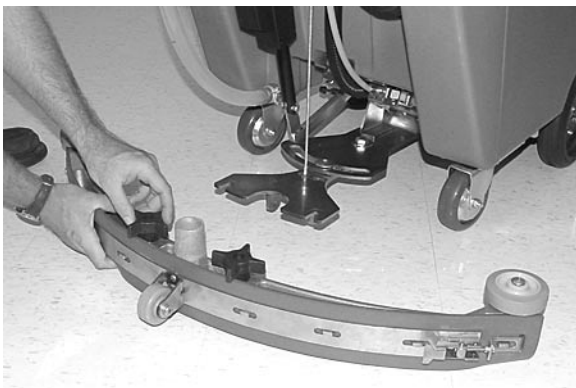


FIG. 4

4. Tighten thumb knobs securely.
5. Connect vacuum hose from machine to squeegee assembly (Figure 5).

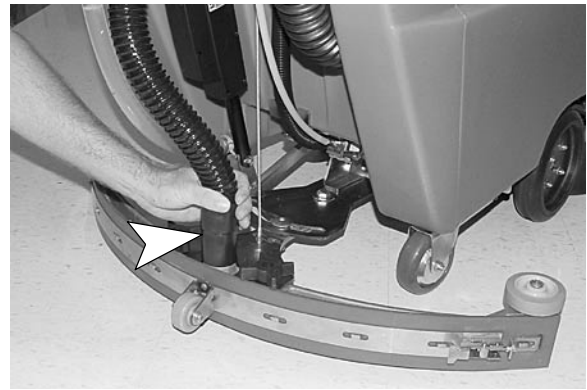


FIG. 5

### INSTALLING BRUSHES

1. Turn the main power switch to the ON position and raise the scrub head. Press bottom half of brush pressure switch to raise. Hold switch down until scrub head actuator turns off (Figure 6).

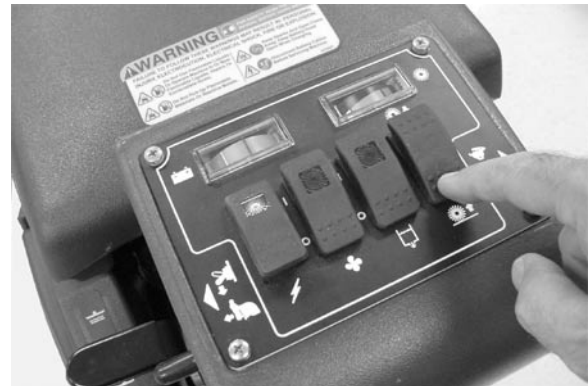


FIG. 6

2. Then turn main power switch to the OFF position after raising scrub head.

**FOR SAFETY: Before leaving or servicing machine, stop on level surface and turn off machine.**

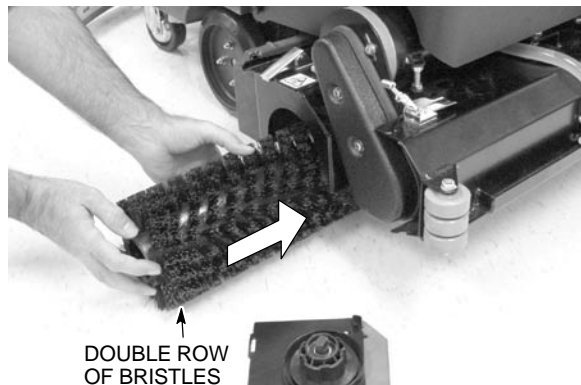
3. Remove idler plate from scrub head by releasing latches on top of scrub head (Figure 7).



FIG. 7

4. With the double bristle row end towards you, guide the brush into the drive hub (Figure 8).

**NOTE:** Installing the double bristle row end opposite of drive hub will prevent brush streaking while scrubbing.

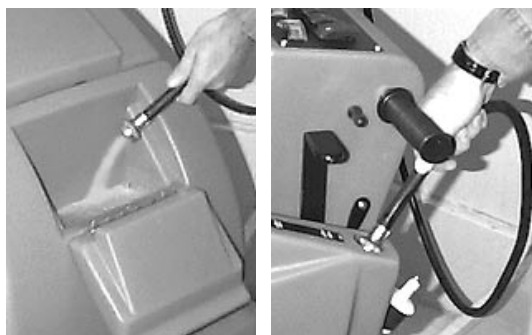


**FIG. 8**

5. Align idler plate on brush end and refasten latches.
6. Repeat steps for other brush on opposite side of scrub head.
7. Check for proper brush pattern (see ADJUSTING BRUSHES).

## FILLING SOLUTION TANK

1. Transport machine to filling station. Raise squeegee and scrub head when transporting.
2. Turn the main power switch to the OFF position.
3. The solution tank is equipped with front and rear filling ports for your convenience (Figure 9). Fill solution tank with 64L (17 gal) of clean water, 60°C (140°F) maximum temperature. The clear tube below the rear fill port indicates the amount of water in solution tank.



**FIG. 9**

**NOTE:** When filling solution tank with a bucket, make sure that bucket is clean. Do not use the same bucket for filling and emptying the machine.

4. Pour a recommended cleaning agent into solution tank according to mixing instructions on bottle.

**FOR SAFETY:** When using machine, follow mixing and handling instructions on chemical containers.

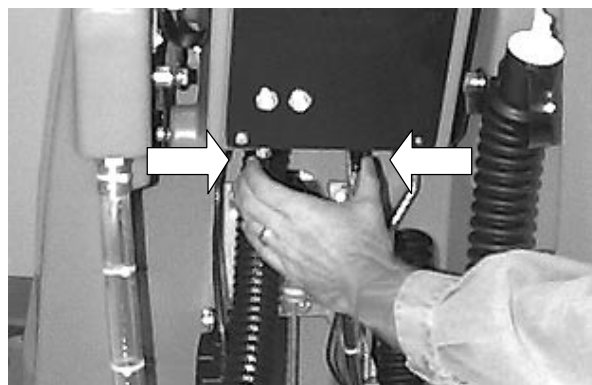
**ATTENTION:** Use only recommended cleaning agents, DO NOT use substitutes. Consult an authorized distributor for recommendations.

**⚠ WARNING:** Do Not Use Flammable Liquids Or Operate Machine In Or Near Flammable Liquids, Vapors Or Combustible Dusts.

## ADJUSTING CONTROL GRIP HEIGHT

The machine has three control grip height settings.

To adjust, squeeze together the two levers below console and lift or lower console to a comfortable operating height (Figure 10).



**FIG. 10**

# OPERATION

## MACHINE OPERATION

**FOR SAFETY: Do not operate machine unless operator manual is read and understood.**

### PRE-OPERATION CHECKS

- Check battery meter charge level to ensure batteries are fully charged (See CHARGING BATTERIES).
- Check condition of brushes.
- Check condition of squeegee blades.
- Check that debris trough is installed and empty.

### OPERATING MACHINE

1. Disengage the squeegee lift lever from the up position and lower squeegee (Figure 11).

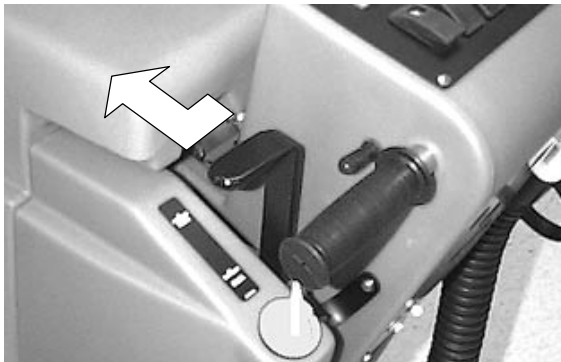


FIG. 11

2. Turn the main power switch to the on position.
3. Lower the scrub head to the floor. Press and hold top half of brush pressure switch to lower (Figure 12).



FIG. 12

4. Turn the vacuum and solution switches to the ON position.

**NOTE:** The brushes and solution flow will start when control grips are rotated.

5. Before starting, turn the speed control knob to slowest setting to avoid an abrupt take-off (Figure 13).
6. Begin scrubbing by rotating control grips forward. Gradually increase your speed by turning speed control knob forward (Figure 13).



FIG. 13

7. Once machine begins to move, check the needle position of the brush pressure meter. Depress the brush pressure switch to adjust pressure. Do not operate machine in the red zone (Figure 14).



FIG. 14

**ATTENTION:** To prevent floor damage and brush motor overload, do not operate brush pressure meter in red zone.

8. To operate machine in reverse, simply pull the reverse switch backwards (Figure 15).



FIG. 15

9. To stop machine, gradually release the control grips.

## WHILE OPERATING MACHINE

**⚠ WARNING: Do Not Pick Up Flammable Materials Or Reactive Metals.**

**FOR SAFETY: When using machine, go slow on inclines and slippery surfaces.**

1. Observe the amount of solution flow on floor. To increase or decrease water flow, adjust the solution control knob (Figure 16).



**FIG. 16**

2. Periodically observe recovery tank for excessive foam. If excessive foam appears, pour a recommended foam control solution into recovery tank.

**ATTENTION: Do not allow foam or water to enter float shut-off screen, vacuum motor damage will result. Foam will not activate the float shut-off screen.**

3. Always operate at a slower speed when scrubbing around walls or obstacles.
4. Always reduce speed to maintain control when turning machine.
5. If squeegee leaves streaks, raise and wipe blades with a cloth. Pre-sweep area to prevent streaking.
6. Overlap each pass by 51mm (2 in).
7. Change brushes when worn.
8. If you experience excessive brush vibration or poor scrubbing performance, see ADJUSTING SCRUB HEAD.
9. Stay clear of floor obstructions, such as electrical plates or grates, they will destroy brushes.
10. During brief stops, brushes and solution flow will automatically stop when control grips are released.
11. Periodically check battery meter discharge level. When needle nears the red zone, recharge batteries.

**ATTENTION: Do not run machine when battery meter needle is in the red zone, battery damage will result.**

12. While cleaning, view the clear tube at rear of machine for remaining cleaning solution.
13. When solution tank runs dry, turn off solution switch, and continue to vacuum until all dirty water is consumed. Then drain recovery tank (see DRAINING TANKS).
14. When cleaning on inclines, always clean moving downward, never upward. Never climb inclines that exceed 5 degrees, machine damage may occur.

## STOPPING MACHINE

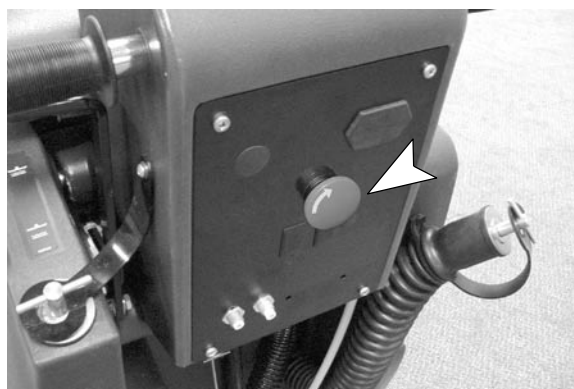
1. Turn solution switch off and continue to vacuum until all solution is consumed.
2. Release control grips.
3. Raise squeegee.
4. Turn machine off and remove key if equipped.

**FOR SAFETY: Before leaving or servicing machine, stop on level surface and turn off machine.**

## EMERGENCY STOPPING (OPTION)

To stop machine in the case of an emergency, strike the red power kill button located at rear of control console. The power kill button immediately stops all power to machine (Figure 17).

To reset power kill button, shut off all switches and turn kill button to the right. Resume to normal operation.



**FIG. 17**

# OPERATION

## CIRCUIT BREAKERS

The machine is equipped with (4) resettable circuit breakers to protect machine from damage.

If circuit breakers should trip, the breakers will not reset immediately upon tripping. Determine cause, allow motor to cool then manually reset circuit breaker button.

The brush motor circuit breakers may trip due to excessive brush pressure. Reduce brush pressure. Brush motor circuit breakers (25 amp) are located near the charger plug.

The main (10 amp) and drive/vacuum (35 amp) circuit breakers are located at rear of machine (Figure 18).

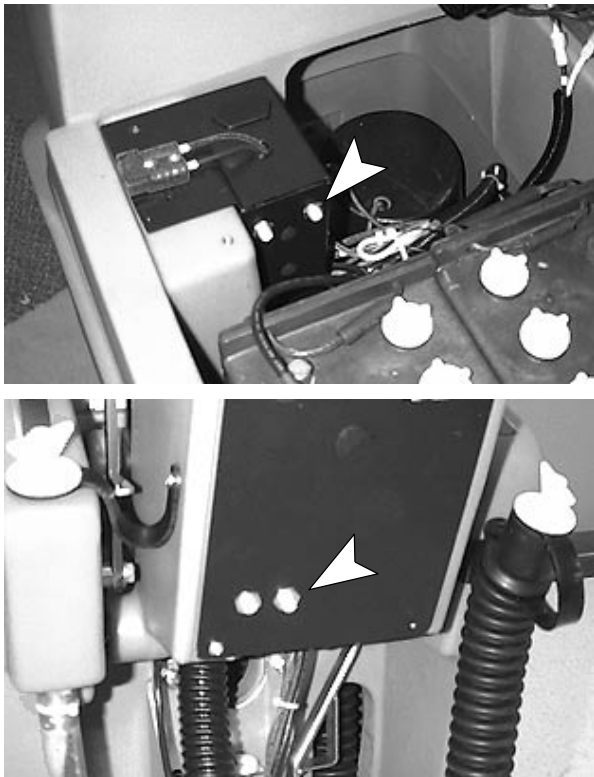


FIG. 18

## DRAINING TANKS

**FOR SAFETY: Before leaving or servicing machine, stop on level surface and turn off machine.**

### DRAINING RECOVERY TANK

Drain recovery tank:

- After each use.
- Before refilling solution tank.
- When squeegee starts trailing water.
- When solution flow stops.
- When float shut-off screen, located inside recovery tank, is activated.
- If optional ES™ indicator light remains on.

**ATTENTION: Do not allow foam or water to enter float shut-off screen, vacuum motor damage will result. Foam will not activate the float shut-off screen.**

1. Remove drain hose from holder, position hose over floor drain and twist off drain hose plug. To completely drain recovery tank, hinge open tank and flip up tank support stand to rest tank on (Figure 19).

**NOTE: If using a bucket to drain machine, do not use same bucket for filling solution tank. This will prevent possible solution line clogs.**



FIG. 19

2. Flush out recovery tank after each use. Be careful not to spray water into the float shut-off screen.
3. Replace drain hose plug securely after draining and return hose to hook.

## DRAINING SOLUTION TANK

To drain leftover cleaning solution from solution tank, perform the following steps:

1. Pull the clear hose off hose barb at rear of machine and drain solution into floor drain or bucket (Figure 20).

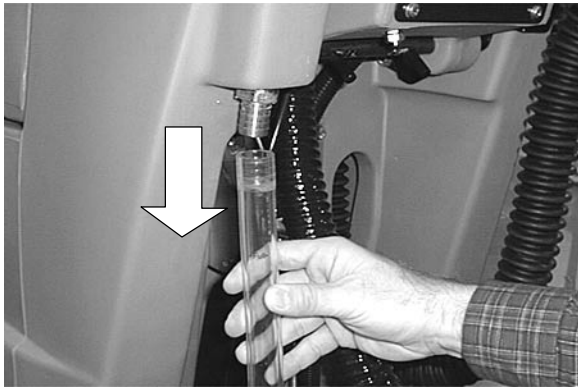


FIG. 20

2. Rinse out solution tank and solution flow system with clean water after each use. This will prevent clogging due to chemical buildup.
3. Reconnect solution tank drain hose securely after draining.

## ADJUSTING BRUSHES

On a monthly basis or after installing new brushes, check the brush pattern to ensure brushes are properly adjusted. Brushes that are installed improperly will result in premature brush wear and poor scrubbing performance.

**NOTE:** If machine is equipped with air-filled tires, fill solution tank before checking or adjusting brushes.

1. Apply a powdered substance, such as chalk, on a smooth, level floor.
2. With scrub head raised, position scrub head over test area.
3. Place blocks behind each drive wheel to keep machine stationary and turn speed control knob to slowest setting.
4. Lower scrub head to floor and apply maximum down pressure.
5. Make sure that the solution switch is in the OFF position.
6. Briefly rotate control grips forward for 2 seconds.
7. Raise scrub head and reverse machine from test area.

8. Observe brush pattern on floor. Both brushes should leave an even, parallel pattern (Figure 21).

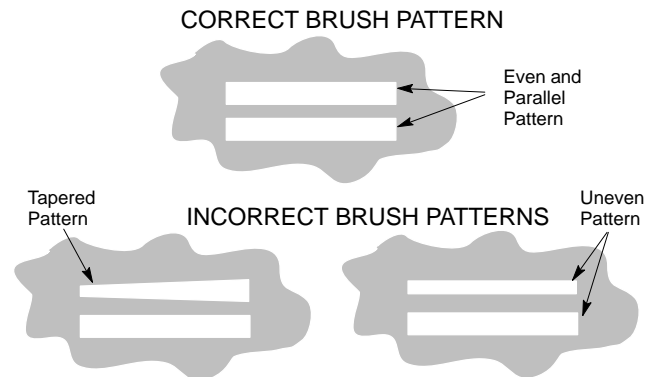


FIG. 21

9. If brush pattern represents one of the incorrect patterns, adjustment is required.

### TO ADJUST BRUSH WITH UNEVEN PATTERN:

1. Lower scrub head to floor and apply maximum down pressure.
2. Turn machine off and remove key if equipped.

**FOR SAFETY: Before leaving or servicing machine, stop on level surface and turn off machine.**

3. Measure the distance from top edge of scrub head to floor at front and rear. The dimension at front of scrub head should be 6.35 mm (.25 in) lower than the rear (Figure 22).

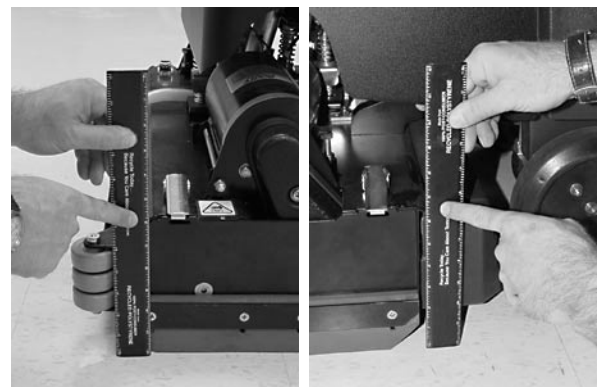


FIG. 22

## OPERATION

4. To adjust scrub head, slightly loosen the (4) lock nuts on the roller mounting bracket and the jam nut on the scrub head leveling knob (Figure 23). Turn knob clockwise to lower rear of scrub head and counter-clockwise to lower front. 13mm socket wrench required.

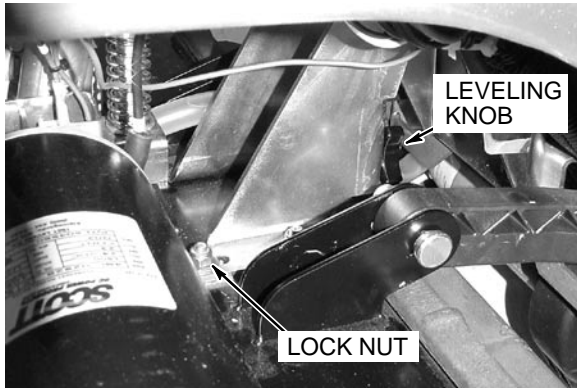


FIG. 23

5. After adjustment is made retighten nuts and recheck brush pattern. Readjust if necessary.

### TO ADJUST BRUSH WITH TAPERED PATTERN:

1. Raise scrub head off floor and turn machine off.

**FOR SAFETY: Before leaving or servicing machine, stop on level surface and turn off machine.**

2. Remove the idler plate from scrub head by releasing latches on top of scrub head (Figure 24).



FIG. 24

3. Remove plate from end of brush.
4. Hold idler hub shaft with 3/8" wrench and loosen Allen head screw with 6 mm Allen wrench (Figure 25).

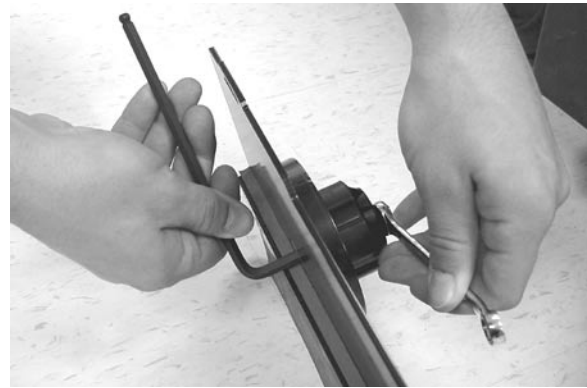


FIG. 25

5. When adjusting front brush, turn shaft clockwise to lower brush end. If adjusting rear brush, turn shaft counter-clockwise to lower brush end. Retighten Allen screw after adjusting (Figure 26).

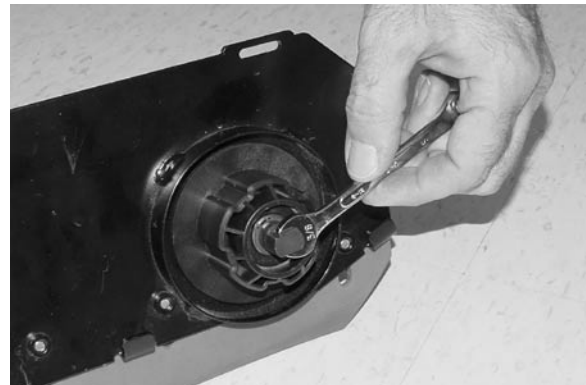


FIG. 26

6. Replace idler plate and recheck brush pattern. Readjust if necessary.

## CHARGING BATTERIES

To prolong the battery life, **ONLY** recharge the batteries if discharged more than 15% of the battery capacity. When discharged 15% or less, continue to use the machine before recharging.

*Run Time Example: 15% discharge X 3 hours rated total run time (with maximum brush pressure) = 27 minutes.*

**The following charging instructions are intended for chargers supplied with machine.**

**Use a charger with the following specifications to prevent battery damage.**

### BATTERY CHARGER SPECIFICATIONS:

- OUTPUT VOLTAGE - 24 VOLTS
- OUTPUT CURRENT - 25 AMPS
- AUTOMATIC SHUTOFF CIRCUIT
- FOR DEEP CYCLE BATTERY CHARGING

**NOTE:** For optimum machine operation, keep batteries charged at all times. Never leave batteries discharged for lengthy periods.

**⚠ WARNING: Keep Sparks And Open Flame Away. Keep Battery Hood Open When Charging.**

**FOR SAFETY:** When servicing machine, wear protective gloves and safety glasses when handling batteries or battery cables. Avoid contact with battery acid.

1. Transport the machine to a well-ventilated area for charging.
2. Park the machine on a level surface and turn main switch to the off position.

**FOR SAFETY:** Before leaving or servicing machine, stop on level surface and turn off machine.

3. Hinge open recovery tank to access the battery compartment (Figure 27).

**NOTE:** Make sure to drain recovery tank prior to accessing batteries.



FIG. 27

4. Before charging, check the electrolyte level (A) in each battery cell. If battery plates (B) are exposed, add just enough distilled water to cover plates. DO NOT OVERFILL. Overfilled batteries can overflow during charging due to fluid expansion. Replace cell caps before charging (Figure 28).

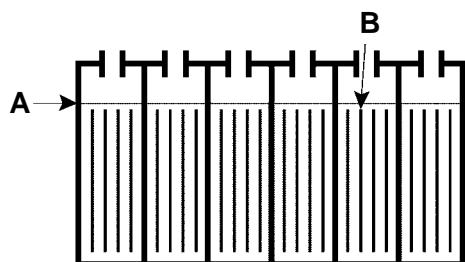


FIG. 28

5. With the charger's power supply cord unplugged, connect battery charger into machine's charging receptacle, as shown. Rest the recovery tank on the support stand to promote ventilation (Figure 29).

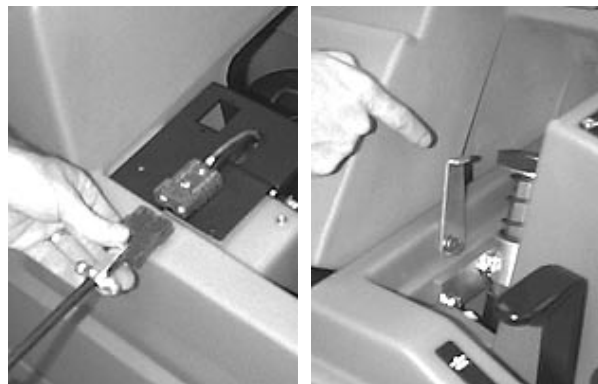


FIG. 29

6. Plug the charger's power supply cord into a grounded wall outlet (Figure 30).

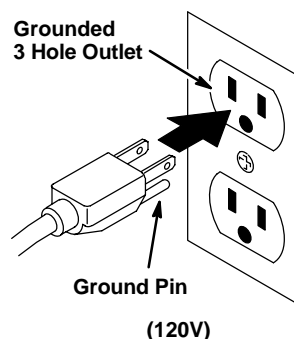


FIG. 30

**⚠ WARNING: Keep Sparks And Open Flame Away. Keep Battery Hood Open When Charging.**

**NOTE:** Once charger is connected, the machine will become inoperable.

7. Charger will automatically begin charging and shut off when fully charged.
8. When disconnecting charger, always unplug charger from wall outlet first.
9. After charging, recheck the battery electrolyte level (A) in each battery cell. The level should be 1 cm (3/8 in.) from the bottom of sight tubes (B) (Figure 31). Add distilled water if needed. DO NOT OVERFILL.

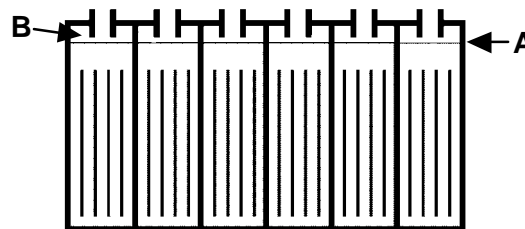


FIG. 31

# OPERATION

## MACHINE MAINTENANCE

To keep machine in good working condition, simply follow the daily, weekly and monthly maintenance procedures.

**FOR SAFETY: Before leaving or servicing machine, stop on level surface and turn off machine.**

**⚠ WARNING: Disconnect Battery Cables Before Servicing Machine.**

**ATTENTION: Contact an Authorized Service Center for machine repairs. Machine repairs performed by other than an authorized person will void your warranty.**

### DAILY MAINTENANCE (Every 4 Hours of Operation)

1. Drain and rinse tanks thoroughly (Figure 32). After draining tanks, hinge recovery tank until you can see vacuum intake hole at rear of tank. Remove any debris in hole if necessary.



FIG. 32

2. Remove and rinse off the float shut-off screen located in recovery tank (Figure 33).



FIG. 33

3. Empty and rinse out debris trough (Figure 34).

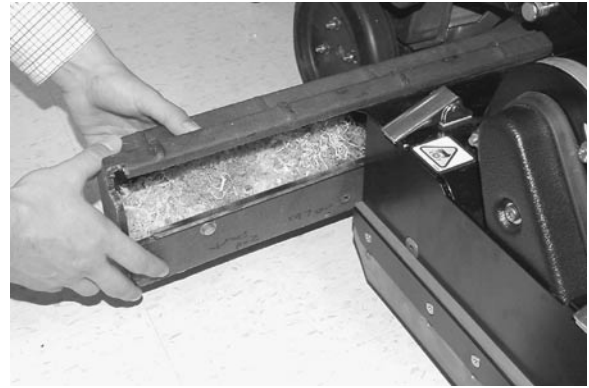


FIG. 34

4. Wipe blades down with a dry cloth and store squeegee in the up position to prevent squeegee damage (Figure 35). Check squeegee blades for damage and wear. Rotate or replace blades when worn or damaged.

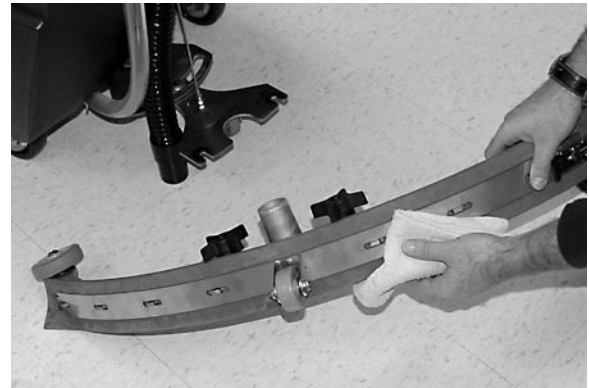


FIG. 35

To replace or rotate the front squeegee blade, unthread the six thumbscrews and remove retainer band and squeegee blade from squeegee frame. Replace or rotate blade end for end to allow a new edge to face forward (Figure 36).

To replace the rear squeegee blade, unlatch retainer clamp and remove retainer band and squeegee blade from squeegee frame. Replace or rotate blade end for end or top to bottom to allow a new edge to face forward (Figure 36).

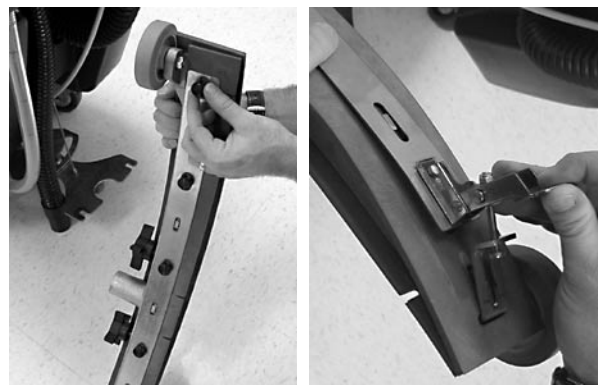


FIG. 36

- Check brushes for wear and entangled debris. Change brushes if bristles are worn to a length of 10mm (0.38 in.) or less (Figure 37).



FIG. 37

- Check scrub head skirts for wear and adjustment. Skirts should touch floor, adjust if necessary (Figure 38). Replace if damaged.

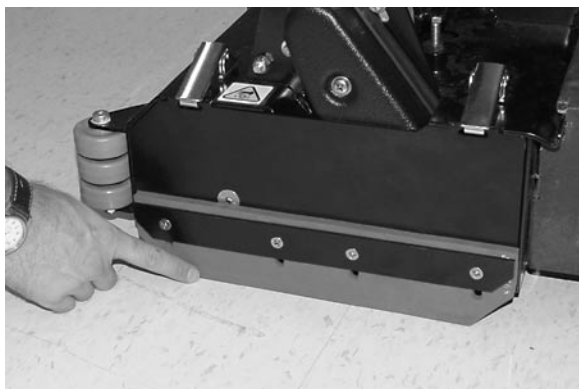


FIG. 38

**NOTE:** Always replace brushes as a set. Never replace just one.

- Clean machine housing with a nonabrasive, nonsolvent cleaner (Figure 39).



FIG. 39

**ATTENTION:** Do not power spray or hose off machine. Electrical component damage may result.

- Rinse out solution feed trough.

- Recharge batteries if needed.

**NOTE:** To prolong the battery life, *ONLY* recharge the batteries if discharged more than 15% of the battery capacity.

## WEEKLY MAINTENANCE (Every 20 Hours of Operation)

- Remove the solution tank filter and rinse out. Before removing filter, be certain solution tank is empty. Filter is located under machine at rear (Figure 40).

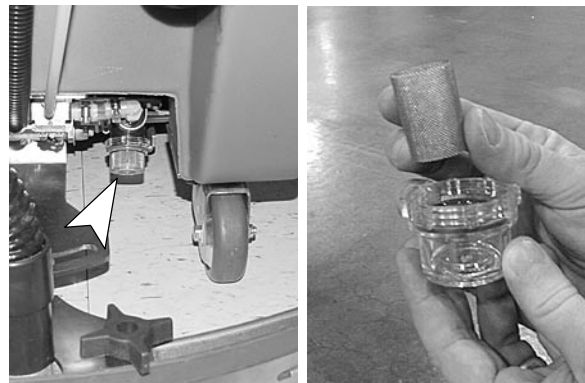


FIG. 40

- Check electrolyte level in each battery cell (see BATTERY MAINTENANCE).
- Clean battery tops with to prevent corrosion (see BATTERY MAINTENANCE).
- Check for loose or corroded battery cables.

## MONTHLY MAINTENANCE (Every 80 Hours of Operation)

- Flush solution system with a mixture of water and a recommended neutralizer liquid to dissolve chemical buildup. Pour 11.3 Liters (3 gals) of clean water into solution tank, 60°C (140°F) maximum temperature. Add neutralizer liquid according to mixing instructions. Over a floor drain, briefly operate machine, ES™ option, and wand option for 30 seconds each. Turn machine off and leave machine sit overnight. Next day, disperse remaining mixture then rinse solution system with clean water.

**NOTE:** Contact your chemical supplier for a recommended neutralizer liquid.

**FOR SAFETY:** When using machine, follow mixing and handling instructions on chemical containers.

- Check brush pattern for proper adjustment (see ADJUSTING BRUSHES).
- Lubricate caster grease fittings with a water resistant grease (Figure 41).

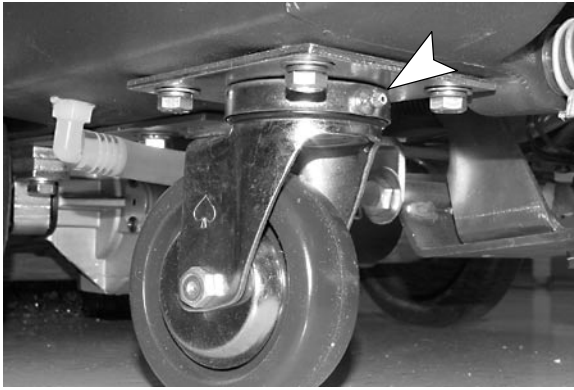


FIG. 41

4. Lubricate all linkage pivot points with silicone spray then coat with a water resistant grease to maintain a smooth operation.
5. Check brush belt tension. Proper belt deflection should be 6.35 mm (0.25 in) at midpoint, with 5.44–5.81 Kg (12.0–12.8 lbs) force (Figure 42).

**FOR SAFETY: When servicing machine, disconnect battery connections before working on machine.**

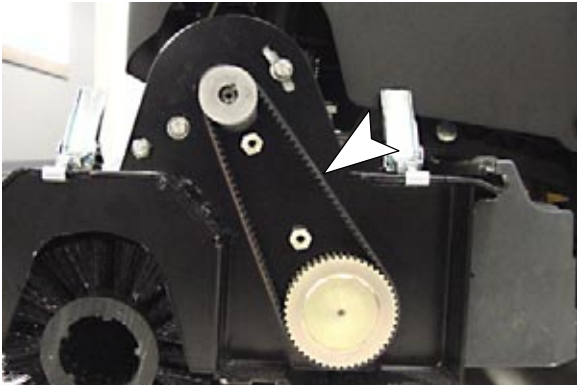


FIG. 42

To adjust belt tension, loosen the two motor mount screws and turn adjustment screw (Figure 43). Retighten screws and jam nut after adjusting.

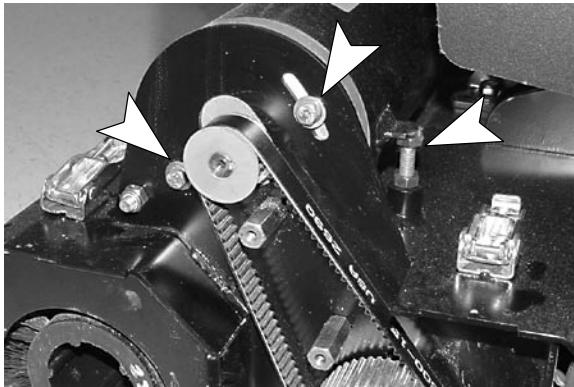


FIG. 43

**ATTENTION: Contact an Authorized Service Center for machine repairs.**

6. Check machine for water leaks and loose nuts and bolts.

## QUARTERLY MAINTENANCE (Every 250 Hours of Operation)

Check drive, vacuum and brush motors for carbon brush wear, replace brushes if worn to a length of 10mm (0.38 in) or less.

Contact an Authorized Service Center for carbon brush inspection.

**FOR SAFETY: When servicing machine, all repairs must be performed by a qualified service person.**

## BATTERY MAINTENANCE

The lifetime of the batteries is limited by the number of charges the batteries receive. To get the most life from the batteries, maintain the proper level of electrolyte and only recharge when discharged more than 15% of battery capacity.

**⚠ WARNING: Keep Sparks And Open Flame Away. Keep Battery Hood Open When Charging.**

**FOR SAFETY: When servicing machine, wear protective gloves and safety glasses when handling batteries or battery cables. Avoid contact with battery acid.**

1. Always follow proper charging instructions (see CHARGING BATTERIES).
2. Check fluid level (A) in each battery cell. The fluid level should be 1 cm (3/8 in.) from the bottom of sight tubes after charging. Add distilled water if needed. **DO NOT OVERFILL.** Overfilled batteries can overflow during charging due to fluid expansion (Figure 44).

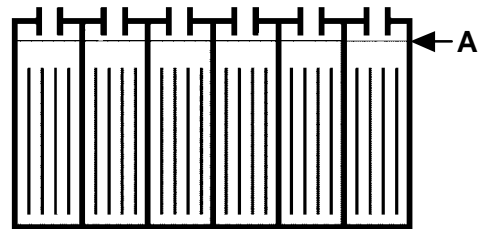


FIG. 44

3. After charging batteries, measure the specific gravity in each battery cell using a hydrometer (Figure 45). This will determine the charge level and condition of the batteries. If one or more of the battery cells test lower than the other battery cell (0.050 or more), the cell is damaged, shortened, or is about to fail.

**NOTE: Do not take reading immediately after adding distilled water. The water and acid must be thoroughly mixed in order for accurate reading.**



FIG. 45

SPECIFIC GRAVITY at 27°C (80°F)	BATTERY CHARGE
1.265	100% CHARGED
1.223	75% CHARGED
1.185	50% CHARGED
1.148	25% CHARGED
1.110	DISCHARGED

**NOTE:** Add or subtract 0.004 gravity reading for each 6° C (10° F) above or below 27° C (80° F).

4. Keep battery tops and terminals clean and dry.  
To clean batteries:
  - a. Mix a strong solution of baking soda and water (Figure 46).



FIG. 46

- b. Brush solution sparingly over battery tops, terminal and cable connectors.

**NOTE:** Do not allow baking soda solution to enter battery cells.

- c. Use wire brush to clean terminal post and cable connections.
  - d. After cleaning, apply a coating of clear battery post protectant to terminals and cable connections.
5. Check for loose or worn cables. Replace if worn.

## TRANSPORTING MACHINE

When transporting machine by use of trailer or truck, be certain to follow tie-down procedures below:

**FOR SAFETY: When using machine, go slow on inclines and slippery surfaces.**

1. Remove squeegee and raise scrub head.
2. Load machine using a recommended loading ramp. To prevent machine damage, do not climb ramps that exceed 9 degrees.
3. Position front of machine up against front of trailer or truck. Once machine is positioned, lower scrub head.
4. Place a block behind each drive wheel and rear casters.
5. Place tie-down straps over top of machine and secure straps to floor. It may be necessary to install tie-down brackets to the floor of your trailer or truck.

**NOTE:** Do not use the control grips to secure machine when transporting.

**FOR SAFETY: When transporting machine, use a recommended ramp when loading/unloading into/off truck or trailer, use tie-down straps to secure machine to truck or trailer.**

## STORING MACHINE

1. Before storing machine, be certain to flush tanks and drain machine of all water.
2. Store machine in a dry area with squeegee removed and scrub head in the raised position.
3. Remove recovery lid to promote air circulation.

**ATTENTION: If storing machine in freezing temperatures, be certain to drain machine of all water. Damage due to freezing temperatures is not covered by warranty.**

**ATTENTION: Do not expose machine to rain, store indoors.**

## RECOMMENDED STOCK ITEMS

Refer to Parts List section for recommended stock items. Stock Items are clearly identified with a bullet preceding the parts description. See example below:

Ref.	Part No.	Description	Qty.
1	701105	ASM., STANDPIPE	1
2	180613	● FLOAT, SHUTOFF	1
3	230187	NIPPLE	1
4	101714	● GASKET	1
5	210240	NUT, FLANGED	1

# OPERATION

## TROUBLE SHOOTING

PROBLEM	CAUSE	SOLUTION
No power.	Faulty main switch.	Contact Service Center.
	Batteries need charging.	See CHARGING BATTERIES.
	Faulty battery(s).	Replace battery(s).
	Loose battery cable.	Tighten loose cable.
	MAIN circuit breaker has tripped.	Determine cause and reset circuit breaker button.
	Optional power kill button activated.	Turn button clockwise to reset.
Brush motors do not operate.	Control grips are not rotated.	Rotate control grips.
	Brush circuit breaker(s) has tripped.	Clean or replace brushes and reset brush circuit breaker button.
	Faulty brush motor or wiring.	Contact Service Center.
	Carbon brushes worn.	Contact Service Center.
	Faulty brush roll switch or solenoid.	Contact Service Center.
Vacuum motor does not operate.	Faulty vacuum switch.	Contact Service Center.
	Vacuum circuit breaker has tripped.	Remove obstruction and reset breaker.
	Faulty vacuum motor or wiring.	Contact Service Center.
	Carbon brushes worn.	Contact Service Center.
Drive motor does not operate.	Drive motor circuit breaker has tripped.	Determine cause and reset breaker.
	Faulty speed control circuit board or connection.	Contact Service Center.
	Faulty solenoid.	Contact Service Center.
	Faulty drive motor.	Contact Service Center.
	Faulty wiring.	Contact Service Center.
	Worn carbon brushes.	Contact Service Center.
Drive motor operates improperly.	Faulty potentiometer or speed control board.	Contact Service Center.
	Loose wire connection	Contact Service Center.
Little or no solution flow.	Solution flow adjustment knob needs adjusting.	Turn solution flow knob clockwise to increase flow.
	Solution line or solution tank filter is clogged.	Remove hose and blow compressed air through it. Clean solution tank filter. Flush solution tank after each use.
	Solution valve or solenoid is clogged.	Remove valve or solenoid and clean. Do not scratch inside of valve.
	Faulty solution switch or solenoid.	Contact Service Center.
	Loose set screw on solution knob.	Calibrate knob and retighten screw.

**TROUBLE SHOOTING –continued**

<b>PROBLEM</b>	<b>CAUSE</b>	<b>SOLUTION</b>
Poor water pick up.	Recovery tank is full.	Empty recovery tank.
	Ball float shut-off screen inside recovery tank is clogged.	Remove screen and clean.
	Squeegee is clogged with debris.	Clean squeegee.
	Squeegee blades are worn.	Replace or rotate squeegee blades.
	Squeegee mount thumbscrews are loose.	Tighten thumbscrews.
	Vacuum hose connections are loose or hose is damaged.	Push hose cuffs firmly on connections. Replace hose if damaged.
	Vacuum hose is clogged with debris.	Remove clogged debris.
	Recovery tank inlet hole is obstructed.	Empty recovery tank and tilt tank sideways to access inlet hole, remove obstruction.
	Recovery tank gasket is defective.	Replace gasket.
	Drain hose plug is loose.	Tighten drain plug.
	Recovery tank lid is loose.	Tighten lid.
	Vacuum motor is loose.	Contact Service Center.
	Battery charge level is low.	Charge batteries. Do not run machine when battery meter is in the red zone.
Short run time.	Batteries not fully charged.	Charge batteries.
	Bad cell in one or more batteries.	Replace battery.
	Batteries need maintenance.	See BATTERY MAINTENANCE.
	Faulty charger.	Replace battery charger.
Safety lights do not work.	Flasher is burned out.	Contact Service Center.

# OPERATION

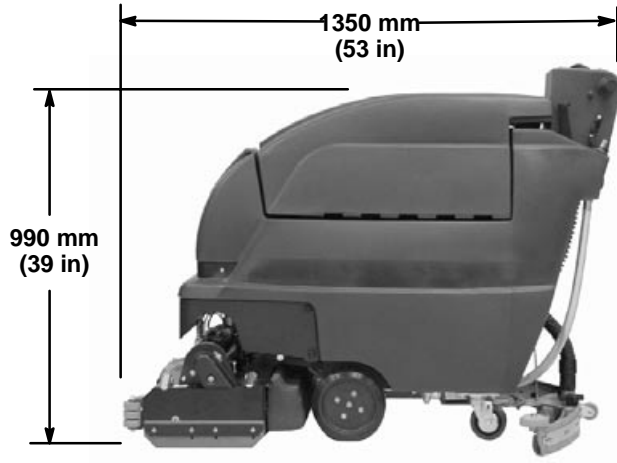
---

## SPECIFICATIONS

MODEL	SPEED SCRUB™ 2601
LENGTH	1350 mm (53 in)
WIDTH	730 mm (28.75 in)
HEIGHT	990 mm (39 in)
WEIGHT	152 kg (335 lb) 254 Kg (560 lb) with batteries
SOL./REC TANK CAPACITY	64 L (17 Gal)
SPEED CONTROL	Variable Fwd. / Fixed Rev.
CLEANING SPEED (MAX)	76.2 m <sup>2</sup> (250 ft) per minute
CLEANING PATH WIDTH	660 mm (26 in)
BRUSH DIAMETER	2 – 152mm (6 in)
BRUSH PRESSURE	Variable 0–41 Kg (0– 90 lbs)
SQUEEGEE WIDTH	839 mm (33 in)
DRIVE SYSTEM	Transaxle, .2 h.p., 24V
BRUSH MOTOR	2 – .75 h.p., 1500 rpm, 24V, 23A, 550W
VACUUM MOTOR	.75 h.p., 3–stage 5.7, 24V, 21A, 550W
WATER LIFT / AIR FLOW	1727 mm (68 in) / 69cfm (2m <sup>3</sup> ) per minute
BATTERIES	2–12V, 215AH
TOTAL POWER CONSUMPTION	24V, 53 AMP Nominal
RUN TIME PER CHARGE	Up to 4 3/4 hours (3 hours using maximum brush pressure)
DECIBEL RATING AT OPERATOR'S EAR, INDOORS ON TILE.	75 dB(A)

Specifications are subject to change without notice.

MACHINE DIMENSIONS



# OPERACIÓN

---

Este manual se proporciona con cada nuevo modelo. Proporciona instrucciones necesarias de mantenimiento y lista ilustrada de piezas.

**Antes de operar o prestar servicio a la máquina, lea completamente este manual y entienda la máquina.**

Para ordenar piezas use las Listas Ilustradas de las Piezas. Asegúrese de tener listo el número de modelo y de serie de la máquina, antes de ordenar piezas o suministros. Las piezas y suministros pueden ordenarse por teléfono o por correo de cualquier centro autorizado de piezas y servicio, distribuidor o de cualquiera de las subsidiarias del fabricante.

Esta máquina proporcionará un servicio excelente. Sin embargo, los mejores resultados se obtienen a un costo mínimo si:

- La máquina se opera con un cuidado razonable.
- La máquina se mantiene con regularidad, según las instrucciones de mantenimiento provistas.
- La máquina se mantiene con las piezas provistas por el fabricante o equivalentes.

---

## DATOS DE LA MAQUINA

---

Por favor complete al momento de la instalación para referencia futura.

No. de Modelo- \_\_\_\_\_

Fecha de instalación - \_\_\_\_\_

No. de Serie- \_\_\_\_\_

©2002 Tennant Company

Printed in U.S.A.

Nobles y Speed Scrub son marcas registradas en Estados Unidos de Tennant Company.

Las especificaciones y piezas están sujetas a cambio sin aviso previo.

ÍNDICE

<b>MEDIDAS DE SEGURIDAD</b> .....	<b>26</b>	<b>LOCALIZACIÓN DE AVERÍAS</b> .....	<b>45</b>
<b>ETIQUETAS DE ADVERTENCIA</b> .....	<b>27</b>	<b>ESPECIFICACIONES</b> .....	<b>47</b>
<b>COMPONENTES ESTÁNDAR DE LA MÁQUINA</b>	<b>28</b>	<b>DIMENSIONES DE LA MAQUINA</b> .....	<b>47</b>
<b>SÍMBOLOS DEL PANEL DE CONTROL</b> .....	<b>28</b>	<b>DIAGRAMAS ELECTRICAS</b> .....	<b>48</b>
<b>INSTALACIÓN DE LA MÁQUINA</b> .....	<b>29</b>	<b>LIST DE PIEZAS</b> .....	<b>50</b>
DESEMBALADO DE LA MÁQUINA .....	29	GRUPE DEL DEPÓSITO DE DISOLUCIÓN .	50
INSTALACION DE BATERIAS .....	29	CONJUNTO DEPOSITO RECUPERAR ....	52
<b>PREPARACIÓN DE LA MÁQUINA</b> .....	<b>30</b>	CONJUNTO CONSOLA DE CONTROLES ..	54
FIJACIÓN DEL CONJUNTO DE LA ESCOBILLA		GRUPO DEL ELÉCTRICO/BATERÍA .....	56
DE GOMA .....	30	GRUPO DE TRANSMISIÓN .....	58
INSTALACION DE LOS CEPILLOS .....	30	GRUPO ACTUADOR DEL CABEZAL	
LLENADO DEL DEPÓSITO DE		LIMPIADOR .....	60
LA DISOLUCIÓN .....	31	GRUPO DEL CABEZAL LIMPIADOR .....	62
AJUSTE DE LA ALTURA DE LA EMPUÑADURA		CONJUNTO DE PALANCAS SOLUCIÓN ...	66
DE CONTROL .....	32	CONJUNTO DE PALETA PLANCAS .....	68
<b>FUNCIONAMIENTO DE LA MÁQUINA</b> .....	<b>32</b>	CONJUNTO PALETA .....	70
COMPROBACIONES PREVIAS A LA PUESTA		<b>OPCIONES</b> .....	<b>72</b>
EN FUNCIONAMIENTO .....	32	ES™ JUEGO .....	72
OPERACION DE LA MAQUINA .....	32	GROUPE D'ASPIRATION ET RACLETTE	
MIENTRAS OPERA LA MAQUINA .....	33	À MAIN .....	74
PARADA DE LA MÁQUINA .....	34	MEDIDOR DE HORA, BOTÓN DE EMERGENCIA,	
PARADA DE EMERGENCIA (OPCIÓN) ....	34	INTERRUPTOR DE LLAVE, HERRAMIENTAS DE	
CORTACIRCUITOS .....	34	BAJO VOLTAGE .....	75
<b>VACIADO DE LOS DEPÓSITOS</b> .....	<b>35</b>		
VACIADO DEL DEPÓSITO DE			
RECUPERACIÓN .....	35		
VACIADO DEL DEPÓSITO DE			
LA DISOLUCIÓN .....	35		
<b>AJUSTE DE LOS CEPILLOS</b> .....	<b>36</b>		
PARA AJUSTAR EL CEPILLO CON PATRÓN			
IRREGULAR: .....	36		
PARA AJUSTAR EL CEPILLO CON PATRÓN			
CÓNICO: .....	37		
<b>CARGA DE LA BATERÍA</b> .....	<b>38</b>		
<b>MANTENIMIENTO DE MAQUINA</b> .....	<b>39</b>		
MANTENIMIENTO DIARIO .....	39		
WEEKLY MAINTENANCE .....	41		
MANTENIMIENTO MENSUAL .....	41		
MANTENIMIENTO TRIMESTRAL .....	42		
MANTENIMIENTO DE LA BATERÍA .....	42		
<b>TRANSPORTE DE LA MÁQUINA</b> .....	<b>44</b>		
<b>ALMACENAMIENTO DE LA MÁQUINA</b> .....	<b>44</b>		
<b>RECOMENDACIONES PARA EL</b>			
<b>ALMACENAMIENTO</b> .....	<b>44</b>		

---


## MEDIDAS DE SEGURIDAD

---

Esta máquina está diseñada para el uso comercial. Se ha diseñado exclusivamente para limpiar pisos duros en un ambiente interior y no se fabrica para ningún otro uso. Use sólo limpiadores recomendados de pisos comercialmente disponibles para la aplicación de la máquina.

Todos los operadores deben leer, entender y practicar las precauciones siguientes de seguridad.


El siguiente símbolo de alerta de advertencia y el encabezamiento de "PARA SEGURIDAD" se usan en este manual como se indica en su descripción:

 **ADVERTENCIA:** Para advertir de riesgos o prácticas inseguras que podrían resultar en lesiones personales graves o la muerte.

**PARA SEGURIDAD:** Para identificar acciones que deben seguirse para el funcionamiento seguro del equipo.

---

El no seguir estas advertencias puede resultar en: lesiones personales, electrocución, choque eléctrico, fuego o explosión.

 **ADVERTENCIA:** No use líquidos inflamables ni opere la máquina en o cerca de líquidos y vapores inflamables o polvos combustibles.

Esta máquina no está equipada con motores a prueba de explosión. Los motores eléctricos emiten chispas al arrancar y durante el funcionamiento lo que podría causar un fuego explosivo o explosión si la máquina se usa en una área donde están presentes vapores/líquidos inflamables o polvos combustibles.

 **ADVERTENCIA:** No aspire materiales inflamables o metales reactivos.

 **ADVERTENCIA:** Mantenga alejada de chispas y llamas expuestas. Mantenga abierta la cubierta de la batería al cargar.

 **ADVERTENCIA:** Desconecte los cables de la batería antes de prestar servicio a la máquina.

 **ADVERTENCIA:** Piezas móviles. Desconecte la electricidad antes de trabajar en la máquina.

---

La información siguiente señala condiciones potencialmente peligrosas para el operador o el equipo:

### PARA SEGURIDAD:

1. No opere la máquina:
  - Con líquidos inflamables o cerca de los vapores inflamables ya que puede ocurrir una explosión o fuego explosivo.
  - A menos que está capacitado y autorizado.
  - A menos que se haya leído y entendido el manual del funcionamiento.
  - Si no está en condición de ejecutar una operación apropiada.
2. Antes de arrancar la máquina:
  - Asegúrese que todos los dispositivos de seguridad están en su lugar y operando apropiadamente.
3. Al usar máquina:
  - Avance lentamente en las cuestas y superficies resbaladizas.
  - Use zapatos antiresbalosos.
  - Sea precavido al retroceder la máquina.
  - Informe inmediatamente acerca de daños o un funcionamiento defectuoso.
  - Nunca permita que los niños jueguen en o alrededor de la máquina.
  - Siga las instrucciones de mezcla y manejo indicados en los recipientes químicos.
4. Antes de salir de o reparar la máquina:
  - Deténgala en una superficie nivelada.
  - Apague la máquina.
5. Al prestar servicio a la máquina:
  - Evite las piezas móviles. No use chaquetas, camisas, o mangas, holgadas.
  - Use gúinches o gatos para soportar el peso de la máquina.
  - Bloquee las ruedas de la máquina antes de alzar.
  - Use protección de los ojos y oídos al usar aire comprimido o agua.
  - Desconecte las conexiones de la batería antes de trabajar en la máquina.
  - Use guantes protectores y lentes de seguridad al manejar baterías o cables de la batería.
  - Evite el contacto con el ácido de la batería.
  - Use piezas de repuesto provistas o aprobadas por el fabricante.
  - Todas las reparaciones deben ser realizadas por una persona de servicio calificada.

- No modifique la máquina de su diseño original.
- 6. Al transportar máquina:
  - Apague la máquina.
  - Obtenga ayuda al alzar la máquina.
- No alce la máquina al instalar las baterías.
- Use una rampa recomendada al cargar/descargar al/ fuera del camión o remolque .
- Use correas de amarre para asegurar la máquina al camión o remolque.

## ETIQUETAS DE ADVERTENCIA

Las etiquetas de advertencia aparecen en la máquina en las ubicaciones indicadas. Reemplace las etiquetas si se dañan o son ilegibles.

### ETIQUETA DE ADVERTENCIA – LOCALIZADA EN EL TANQUE DE RECUPERACION.



**ETIQUETA DE CARGA DE LA BATERIA – UBICADA DENTRO DEL COMPARTIMIENTO DE LA BATERIA.**

**⚠ ADVERTENCIA:** Mantenga alejada de chispas y llamas expuestas. Al cargar mantenga abierta la cubierta de la batería.

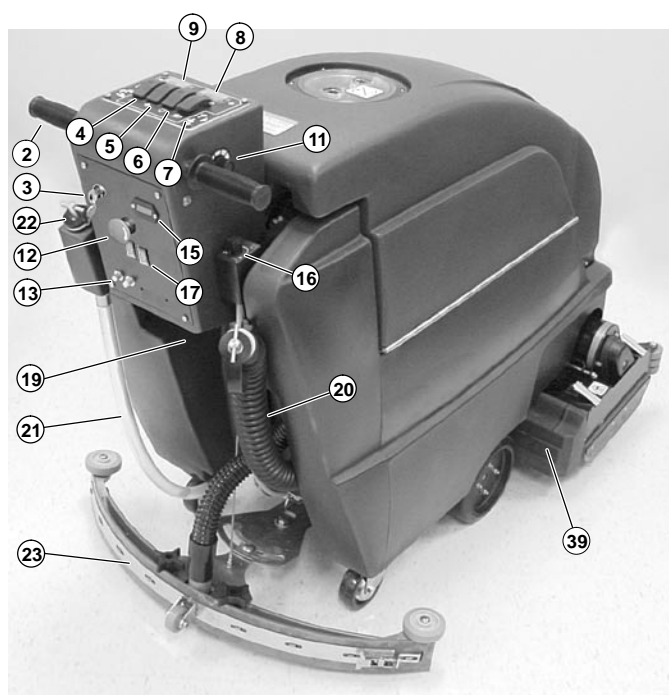
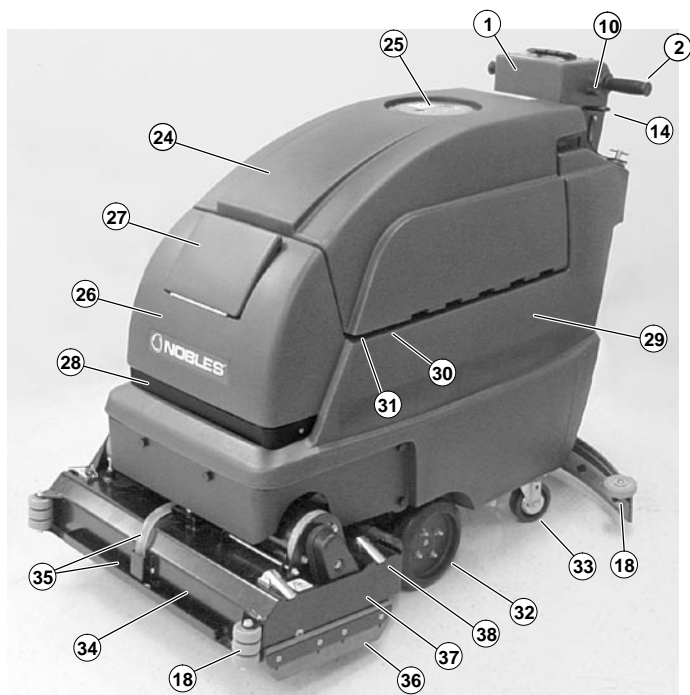


**ETIQUETA DE PIEZAS MOVILES – UBICADA EN LA CUBIERTA DEL CABEZAL DEL CEPILLO.**

**⚠ ADVERTENCIA:** Piezas móviles. Apague la electricidad antes de trabajar en máquina.

# OPERACIÓN

## COMPONENTES ESTÁNDAR DE LA MÁQUINA

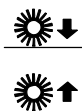


- |   |   |   |
|---|---|---|
| 1. Consola de control                                     | 14. Palanca de elevación de la escobilla de goma      | 26. Depósito de la disolución                       |
| 2. Mandos giratorios de control                           | 15. Medidor de voltaje bajo (Opción)                  | 27. Puerta de llenado del depósito de la disolución |
| 3. Contacto para la llave (Opción)                        | 16. Mando de ajuste del flujo de la disolución        | 28. Luces de seguridad                              |
| 4. Interruptor principal de encendido/apagado             | 17. ES™ (Opción)                                      | 29. Compartimento de la batería                     |
| 5. Interruptor de encendido/apagado de la aspiración      | 18. Rodillos de pared                                 | 30. Enchufe del cargador                            |
| 6. Conmutador encendido/apagado de la solución            | 19. Palancas de la consola de control ajustable       | 31. Contador de horas (Opción)                      |
| 7. Conmutadores de presión del cepillo                    | 20. Manguera de vaciado del depósito de recuperación  | 32. Ruedas impulsoras                               |
| 8. Indicador de la presión del cepillo                    | 21. Manguera de vaciado del depósito de la disolución | 33. Ruedecillas traseras                            |
| 9. Indicador del nivel de carga de la baterías            | 22. Orificio trasero de llenado                       | 34. Aleta del cepillo                               |
| 10. Interruptor de marcha atrás                           | 23. Conjunto de la escobilla de goma                  | 35. Cabezal de limpieza del cepillo cilíndrico      |
| 11. Mando de control de la velocidad                      | 24. Depósito de recuperación                          | 36. Manguera/Canaleta de alimentación de solución   |
| 12. Botón de parada (Opción)                              | 25. Tapa del depósito de recuperación                 | 37. Faldón del cabezal de limpieza                  |
| 13. Cortacircuitos principal, de impulsión /de aspiración |   | 38. Pestillo de la placa intermedia                 |
|   |   | 39. Canaleta de residuos                            |

## SÍMBOLOS DEL PANEL DE CONTROL



Circuito principal



Cepillo



Escobilla de goma elevada



Indicador del nivel de carga de la batería



Aspiración



Velocidad rápida



Escobilla de goma bajada



Indicador de la presión del cepillo



Control de la disolución



Velocidad lenta



Marcha atrás

## INSTALACIÓN DE LA MÁQUINA

### DESEMBALADO DE LA MÁQUINA

1. Inspeccione cuidadosamente la caja por señales de daños. Informe inmediatamente acerca de daños al transportista.
2. Verifique la lista de contenido de la caja. Consulte con el distribuidor por artículos faltantes.  
Contenido de la caja:
  - Máquina, Modelo No. 1002193
  - Cargador de batería de 24CC/120CA, 20A (Nº 603235)
  - 2 – Baterías de 12V, 215 AH (Instaladas)
  - 2 – Cepillos cilíndricos
  - Conjunto del escurridor
3. Para desembalar la máquina, retire los soportes traseros y delanteros de transporte que aseguran la máquina a la tarima. Retire la tabla trasera de 4 x 4 de la tarima y retroceda cuidadosamente la máquina fuera de la tarima. La tarima se inclina creando una rampa. Asegúrese que la base del cepillo está en la posición elevada.

**ATENCIÓN:** No retire la máquina del pallet haciéndola rodar porque podría averiarse.

### INSTALACION DE BATERIAS

**⚠ ADVERTENCIA:** Mantenga alejada de chispas y llamas expuestas. Al cargar mantenga abierta la cubierta de la batería.

**PARA SEGURIDAD:** Al prestar servicio a la máquina, use guantes protectores y lentes de seguridad al manejar las baterías o los cables de la batería. Evite el contacto con el ácido de la batería.

#### Especificaciones de la Batería:

Dos baterías de 12 voltios de ciclo profundo. Consulte a un distribuidor autorizado sobre baterías específicas. Las dimensiones máximas de la batería son 178mm (7 in) ancho x 381mm (15 in) largo x 356mm (14 in) alto.

1. Estacione la máquina en una superficie nivelada y gire todos los conmutadores a la posición OFF.

2. Abra la cubierta abisagrada del tanque de recuperación para acceder al compartimiento de la batería. Asegúrese que el tanque de recuperación esté drenado antes de abrir (Figura 1).



FIG. 1

3. Instale con cuidado las baterías en la bandeja de la batería que se encuentra en el fondo del compartimiento e instale los bornes de la batería como se muestra (Figura 2).

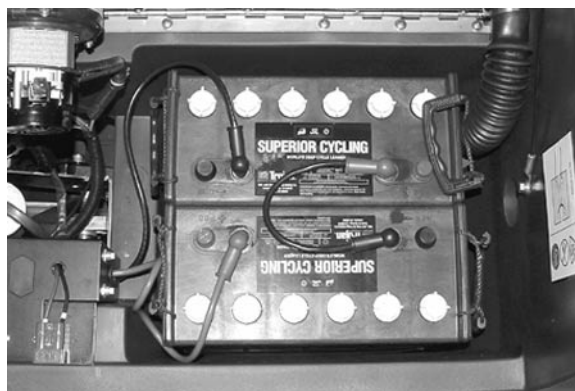


FIG. 2

**ATENCIÓN:** Deposite las baterías en el compartimiento, no las deje caer, tanto la batería como su soporte podrían averiarse. La garantía no cubre este tipo de desperfectos.

4. Antes de conectar los cables de la batería, asegúrese que los terminales y bornes están limpios. Use un limpiador de bornes y un cepillo de alambre si es necesario.

**NOTA:** Aplique una capa ligera de grasa no metálica o rocío protector sobre las conexiones del cable para prevenir la corrosión de la batería.

5. Conecte los cables a los bornes de la batería como mostrado (Figura 2), ROJO AL POSITIVO y NEGRO AL NEGATIVO. Use las cubiertas de borne de la batería y las botas de goma, provistas.

# OPERACIÓN

- Después que se instalan apropiadamente las baterías, inspeccione el nivel de carga del medidor de la batería. La máquina debe estar en pleno funcionamiento para una lectura exacta (Vea OPERACION DE LA MAQUINA). Cargue las baterías si se requiere.

## PREPARACIÓN DE LA MÁQUINA

### FIJACIÓN DEL CONJUNTO DE LA ESCOBILLA DE GOMA

- Apague la máquina.

**PARA SU SEGURIDAD:** Antes de abandonar o revisar la máquina, deténgase en una superficie plana, apague la máquina y ponga el freno de estacionamiento.

- Tire de la palanca elevadora para elevar el soporte de montaje del escurridor (Figura 3).

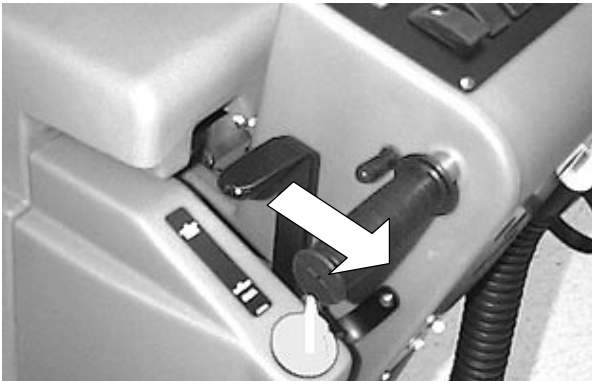


FIG. 3

- Afloje los dos tornillos de orejas del conjunto de la escobilla de goma e introduzca dicha escobilla deslizando en las ranuras del soporte de montaje de la escobilla de goma (Figura 4).

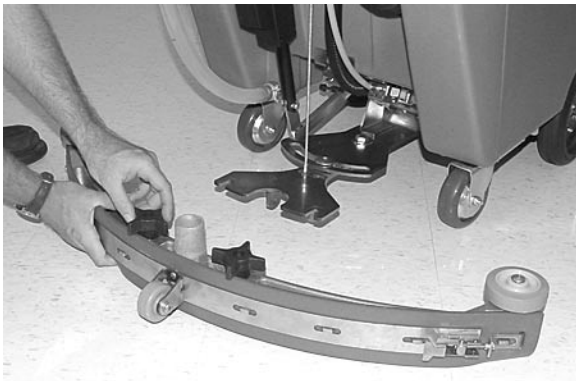


FIG. 4

- Fije bien los tornillos de orejas.
- Conecte la manguera de aspiración de la máquina al conjunto de la escobilla de goma (Figura 5).

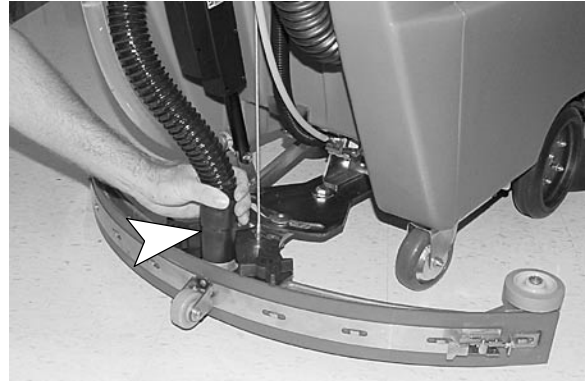


FIG. 5

### INSTALACION DE LOS CEPILLOS

- Gire el conmutador principal de potencia a la posición ON y eleve el cabezal de limpieza. Oprima la mitad del conmutador de presión del cepillo para elevar. Mantenga oprimido el conmutador hasta que se apague el actuador del cabezal de limpieza (Figura 6).

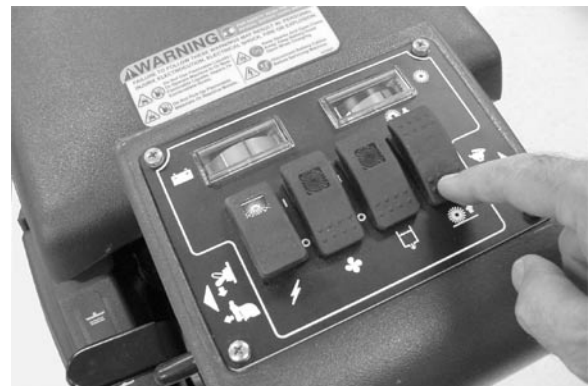


FIG. 6

- A continuación gire el conmutador principal de potencia a la posición OFF después de elevar el cabezal de limpieza.

**PARA SU SEGURIDAD:** Antes de abandonar o revisar la máquina, deténgase en una superficie plana, apague la máquina y ponga el freno de estacionamiento.

3. Retire la placa intermedia del cabezal de limpieza soltando los pestillo del tope del cabezal de limpieza (Figura 7).



FIG. 7

4. Con el extremo de fila doble de cerdas orientado hacia usted, guíe el cepillo dentro del cubo impulsor (Figura 8).

**NOTA:** El instalar el extremo de fila doble de cerdas en posición opuesta al cubo impulsor prevendrá que el cepillo marque al limpiar.

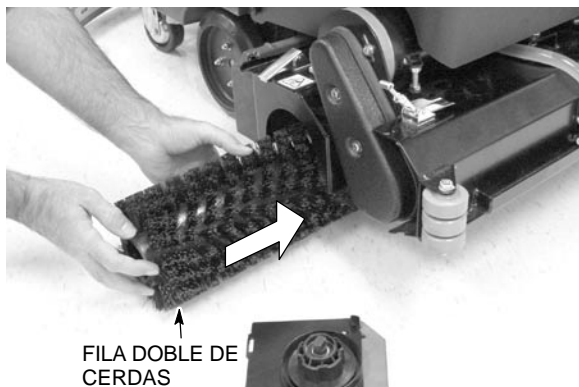


FIG. 8

5. Alinee la placa intermedia en el extremo del cepillo y afirme los pestillos.
6. Repita los pasos para otro cepillo en el lado opuesto del cabeza de limpieza.
7. Inspeccione para el patrón apropiado del cepillo (vea AJUSTE DE LOS CEPILLOS).

## LLENADO DEL DEPÓSITO DE LA DISOLUCIÓN

1. Dirija la máquina a la zona de llenado. Levante la escobilla de goma y el cepillo durante el transporte.
2. Apague el poder de máquina.
3. El tanque de la solución está provisto con accesos delanteros y posteriores para su conveniencia (Figura 9). Llene el tanque de la solución con 64L (17 gal) de agua limpia, 60°C (140°F) de temperatura máxima. El tubo transparente debajo del acceso posterior de llenado indica la cantidad de agua en el tanque de la solución.

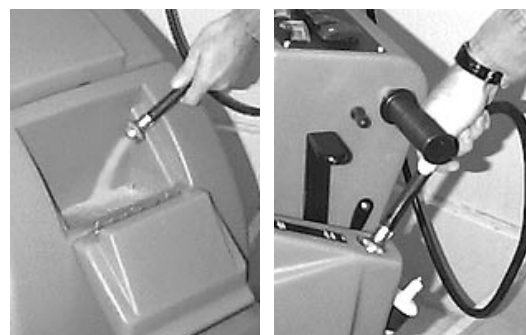


FIG. 9

**NOTA:** Al llenar tanque de la solución con un balde, asegúrese que el balde está limpio. No use el mismo balde por llenar y vaciar la máquina.

4. Vierta un agente limpiador recomendado en el tanque de la solución según las instrucciones de mezcla en la botella.

**PARA SU SEGURIDAD:** Siga las instrucciones de mezcla y manipulación indicadas en los envases de los productos químicos cuando utilice la máquina.

**ATENCIÓN:** Utilice únicamente productos de limpieza recomendados, NO utilice sustitutos. Consulte a un distribuidor autorizado acerca de los productos de limpieza recomendados.

**⚠ ADVERTENCIA:** No use líquidos inflamables ni opere la máquina en o cerca de líquidos/vapores inflamables, o polvos combustibles.

# OPERACIÓN

## AJUSTE DE LA ALTURA DE LA EMPUÑADURA DE CONTROL

La máquina tiene tres configuraciones de la altura de la empuñadura de control.

Para ajustar, apriete las dos palancas juntas debajo de la consola y eleve o baje la consola a una altura cómoda de operación (Figura 10).

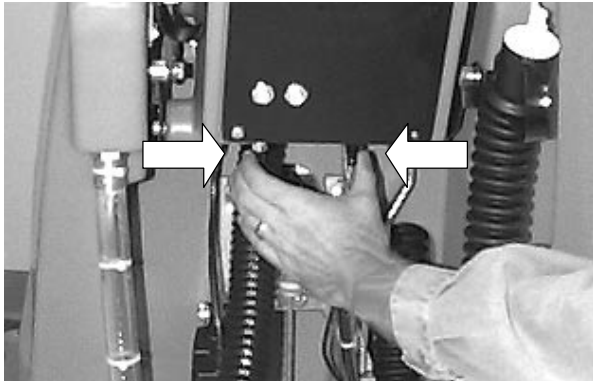


FIG. 10

## FUNCIONAMIENTO DE LA MÁQUINA

**PARA SU SEGURIDAD:** No utilice la máquina salvo que el operario haya leído y comprendido el manual de instrucciones.

### COMPROBACIONES PREVIAS A LA PUESTA EN FUNCIONAMIENTO

- Inspeccione el nivel de carga del medidor de la batería para asegurar que las baterías están totalmente cargadas (Vea CARGA DE LAS BATERIAS).
- Inspeccione la condición de los cepillos.
- Inspeccione la condición de las cuchillas del escurridor.
- Verifique que la canaleta de residuos está instalada y vacía.

## OPERACION DE LA MAQUINA

1. Desenganche la palanca de elevación del escurridor de la posición elevada y baje el escurridor (Figura 11).

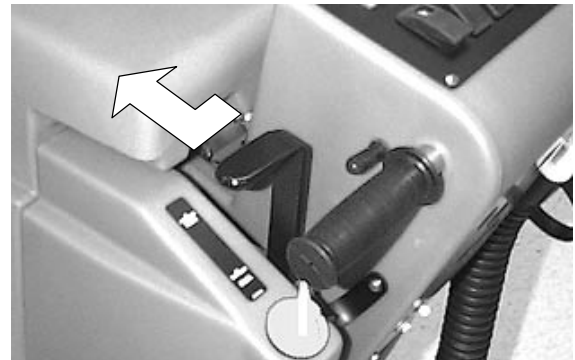


FIG. 11

2. Gire el conmutador de la potencia principal a la posición ON.
3. Baje el cabezal de limpieza al piso. Para bajar, oprima y mantenga oprimida la mitad superior del conmutador de presión del cepillo (Figura 12).



FIG. 12

4. Gire los conmutadores de vacío y de solución a la posición ON.

**NOTA:** Los cepillos y el flujo de la solución arrancan cuando se giran las empuñaduras de control.

5. Antes de arrancar, gire la perilla de control de velocidad a la configuración más lenta para evitar un despegue abrupto (Figura 13).
6. Comience la operación de fregado girando hacia delante los mandos de control. Aumente gradualmente la velocidad girando hacia delante los mandos de control de la velocidad (Figura 13).



FIG. 13

7. Una vez que la máquina comienza su movimiento, inspeccione la posición de la aguja del cepillo. Oprima el conmutador de presión del cepillo para ajustar la presión. No opere la máquina en la zona roja (Figura 14).



FIG. 14

**ATENCIÓN:** Para prevenir daños al piso y carga excesiva de motor del cepillo, no opere el medidor de presión del cepillo en la zona roja.

8. Para operar la máquina en marcha atrás, simplemente tire del conmutador de retroceso (Figura 15).



FIG. 15

9. Para detener máquina, gradualmente suelte las empuñaduras de control.

## MIENTRAS OPERA LA MÁQUINA

**⚠ ADVERTENCIA:** No aspire materiales inflamables o metales reactivos.

**PARA SU SEGURIDAD:** Conduzca despacio cuando utilice la máquina en pendientes o superficies resbaladizas.

1. Observe la cantidad de flujo de la solución en el piso. Para aumentar o disminuir el flujo de agua, ajuste la perilla de control de la solución (Figura 16).



FIG. 16

2. Controle periódicamente que no exista acumulación de espuma en el depósito de recuperación (mire a través de la tapa transparente). Si la acumulación de espuma empieza a ser excesiva, añada un producto de control de la formación de espuma al depósito de recuperación.

**ATENCIÓN:** No permita que el agua o la espuma se introduzcan en el filtro del flotador de cierre, el motor de aspiración resultaría dañado. La espuma no activará el filtro del flotador de cierre.

3. Reduzca la velocidad siempre que friegue cerca de paredes u obstáculos.
4. Para mantener el control sobre la máquina, reduzca la velocidad siempre que tome curvas.
5. Si la escobilla de goma deja marcas, eleve la escobilla de goma y limpie las láminas con un paño. Realice un barrido previo de la zona para evitar la formación de marcas.
6. Haga que los diferentes pases se superpongan 2" (5cm).
7. Cambie o gire las almohadillas cuando estén sucias.
8. Si usted experimenta una vibración excesiva del cepillo o un mal rendimiento de limpieza, vea AJUSTE DEL CABEZAL DE LIMPIEZA.

# OPERACIÓN

---

9. Manténgase alejado de obstrucciones en el piso, tales como placas eléctricas o rejillas ya que pueden destruir los cepillos.
10. Durante paradas breves, los cepillos y el flujo de la solución se detienen automáticamente cuando se sueltan las empuñaduras de control.
11. Controle periódicamente el nivel de carga de la batería. Recargue las baterías cuando la aguja del indicador se encuentre en la zona roja.

**ATENCIÓN: No utilice la máquina cuando la aguja del indicador del nivel de carga de la batería se encuentre en la zona roja o podría dañar la batería.**

12. Controle la cantidad de disolución que queda durante la operación de limpieza a través del tubo indicador transparente.
13. Cuando el tanque de solución no contiene más líquido, girar el conmutador del cepillo a apagado, y continuar aspirando hasta que se haya consumido todo el agua sucia. A continuación drenar el tanque de recuperación.  
(Ver *TANQUES DE DRENAJE*)
14. Al limpiar sobre pendientes, limpie siempre descendiendo nunca ascendiendo. Nunca ascienda sobre pendientes que excedan 5 grados ya que en caso contrario pueden ocurrir daños a la máquina.

---

## PARADA DE LA MÁQUINA

1. Girar el conmutador del cepillo a apagado, y continuar aspirando hasta que se haya consumido todo el agua sucia.
2. Suelte los mandos de control.
3. Elevar el escurridor.
4. Apague los interruptores.

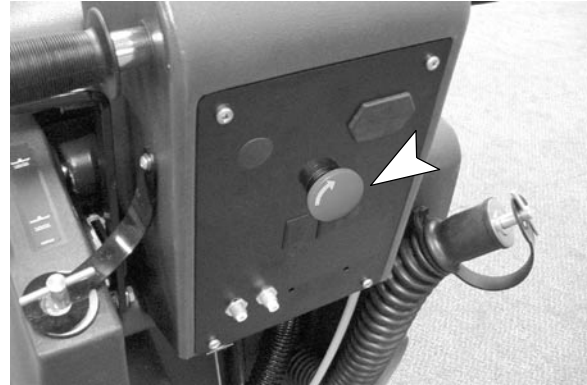
**PARA SEGURIDAD: Antes de salir de o prestar servicio a la máquina, deténgase en una superficie nivelada y apague la máquina.**

---

## PARADA DE EMERGENCIA (OPCIÓN)

Para detener la máquina en caso de emergencia, pulse el botón rojo de parada situado en la parte trasera de la consola de control. El botón de parada interrumpe inmediatamente la alimentación eléctrica a la máquina (Figura 17).

Para reajustar el botón de parada, apague todos los interruptores y gire el botón de parada hacia la derecha. Reanude el funcionamiento normal.



**FIG. 17**

---

## CORTACIRCUITOS

La máquina está equipada con (4) cortacircuitos de protección.

Si se activan los interruptores de circuito, los mismos no se restablecen inmediatamente al activarse. Determine la causa, permita que el motor se enfríe y a continuación restablezca manualmente el botón del interruptor de circuito.

Los interruptores de circuito del motor del cepillo pueden activarse debido a una presión excesiva del cepillo. Reduzca la presión del cepillo. Los interruptores de circuito del motor del cepillo (25 amperios) están ubicados cerca del enchufe del cargador.

Los cortacircuitos principal (10amp) y de impulsión/aspiración (35 amp) se encuentran en la parte trasera de la máquina (Figura 18).

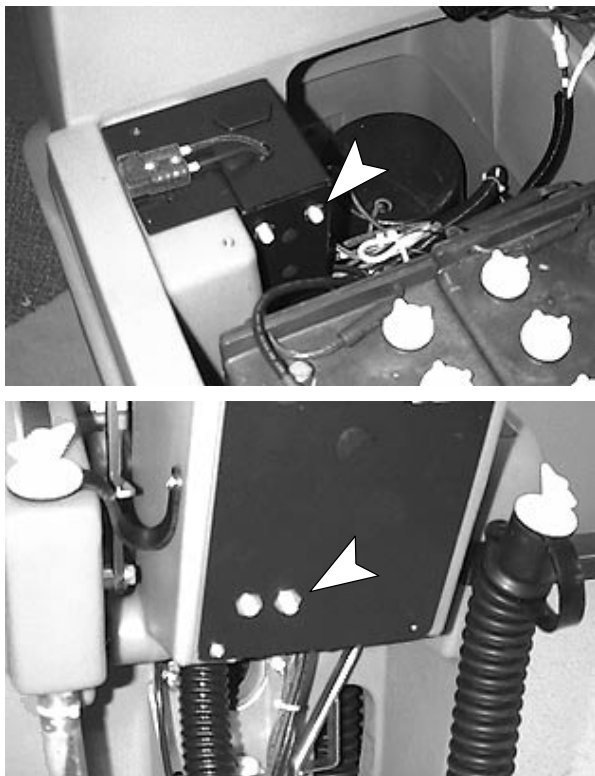


FIG. 18

## VACIADO DE LOS DEPÓSITOS

**PARA SU SEGURIDAD:** Antes de abandonar o revisar la máquina, deténgase en una superficie plana, apague la máquina.

### VACIADO DEL DEPÓSITO DE RECUPERACIÓN

Drenaje del tanque de recuperación:

- Después de cada uso.
- Antes de llenar el tanque de la solución.
- Cuando el escurridor comienza a arrastrar agua.
- Cuando se detiene el flujo de solución.
- Cuando se activa el tamiz flotante de corte, ubicado dentro del tanque de recuperación.
- Si la luz indicadora optativa ES™ está encendida.

**ATENCIÓN:** No permita que espuma o agua entren al tamiz flotante de corte ya que de otra manera resultará en daños al motor de vacío. La espuma no activa el tamiz flotante de corte.

1. Extraiga la manguera de vaciado de su soporte, coloque la manguera en el desagüe y abra el tapón de la manguera de vaciado. Para vaciar completamente el depósito de recuperación abra la tapa del depósito lateralmente y coloque la barra de apoyo para colocar el depósito sobre ella (Figura 19).

**NOTA:** Si utiliza un cubo para vaciar la máquina, no utilice el mismo cubo para llenar el depósito de la disolución. Esto evitará que las tuberías de la disolución se bloqueen.



FIG. 19

2. Lave el tanque de la recuperación después de cada uso. Sea precavido en no rociar agua al tamiz flotante de corte.
3. Vuelva a colocar firmemente el tapón de la manguera de drenaje después de drenar y volver a colocar la manguera en el gancho.

### VACIADO DEL DEPÓSITO DE LA DISOLUCIÓN

Para vaciar la disolución que no se ha utilizado del depósito de la disolución siga los siguientes pasos:

1. Saque la manguera transparente que se encuentra en la parte trasera de la máquina de su soporte y vacíe la disolución en un desagüe o cubo (Figura 20).

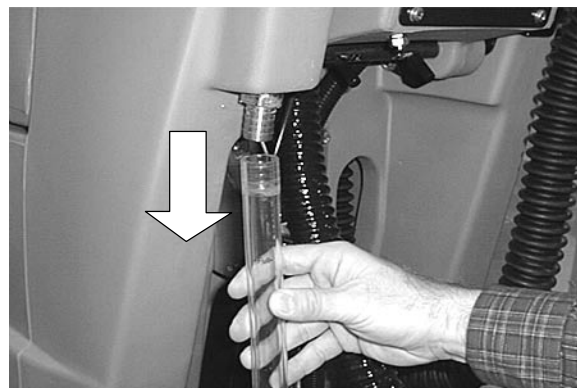


FIG. 20

# OPERACIÓN

2. Aclare el depósito de la disolución y el sistema de flujo de la disolución con agua limpia después de cada uso. Esto evitará el bloqueo debido a la acumulación de productos químicos.
3. Vuelva a colocar la manguera transparente en su soporte. Asegúrese de introducirla bien.

## AJUSTE DE LOS CEPILLOS

Verifique el patrón del cepillo para asegurar que los cepillos estén bien ajustados, mensualmente después de instalar nuevo cepillo. Los cepillos que no se instalan adecuadamente resultan en un desgaste prematuro del cepillo y un mal rendimiento de la limpieza.

**NOTA:** Si la máquina está provista con neumáticos inflados con aire, llene el tanque de solución antes de inspeccionar o ajustar los cepillos.

1. Aplique una sustancia empolvada, tal como tiza, en un piso liso, nivelado.
2. Con el cabezal de limpieza elevado, coloque en posición el mismo sobre el área de prueba.
3. Coloque bloques detrás de cada rueda impulsora para que la máquina quede inmóvil y gire la perilla de control de velocidad a la configuración más lenta.
4. Baje el cabezal de limpieza al piso con la presión descendente mínima.
5. Asegúrese que el conmutador de la solución esté en la posición OFF.
6. Gire brevemente las empuñaduras de control durante 2 segundos.
7. Eleve el cabezal de limpieza y haga retroceder la máquina desde el área de prueba.
8. Observe el patrón del cepillo sobre el piso. Ambos cepillos deben dejar un patrón uniforme, paralelo (Figura 21).

### PATRON CORRECTO DEL CEPILLO



FIG. 21

9. Si el patrón del cepillo representa uno de los patrones incorrectos, se requiere ajuste.

## PARA AJUSTAR EL CEPILLO CON PATRÓN IRREGULAR:

1. Baje el cabezal de limpieza al piso y aplique la presión máxima descendente.
2. Apague máquina y extraiga la llave si así provista.

**PARA SEGURIDAD:** Antes de salir de o prestar servicio a la máquina, deténgala en una superficie nivelada y apáguela.

3. Mida la distancia desde el borde del tope del cabezal de limpieza al piso en la parte delantera y posterior. La dimensión al frente del cabezal de limpieza debe estar 6.35 mm (.25 pulg.) más baja que la parte posterior (Figura 22).

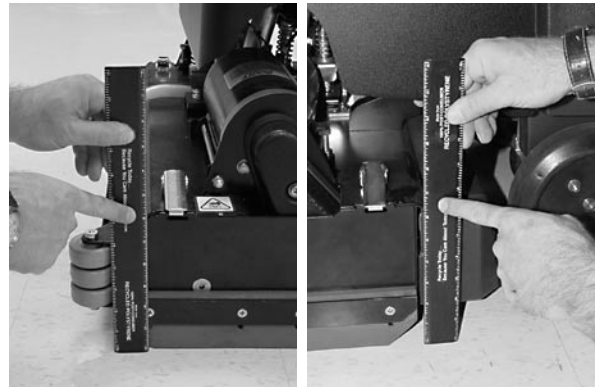


FIG. 22

4. Para ajustar el cabezal de limpieza, afloje ligeramente las cuatro (4) contratuercas en el soporte de montaje del rodillo y la contratuerca en la perilla niveladora del cabezal de limpieza (Figura 23). Gire la perilla en el sentido de las agujas del reloj para hacer descender la parte posterior del cabezal de limpieza y gire en sentido contrario a las agujas del reloj para hacer descender el frente. Se requiere una llave de cubo de 13mm.

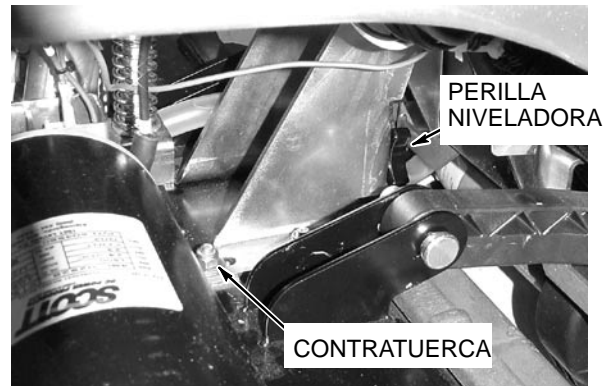


FIG. 23

5. Después de ajustar afirme las tuercas y vuelva a inspeccionar el patrón del cepillo. Reajuste si necesario.

## PARA AJUSTAR EL CEPILLO CON PATRÓN CÓNICO:

1. Eleve el cabezal de limpieza del piso y apague la máquina.

**PARA SEGURIDAD: Antes de salir de o prestar servicio a la máquina, deténgala en una superficie nivelada y apáguela.**

2. Extraiga la placa intermedia del cabezal de limpieza soltando los pestillos al tope del cabezal de limpieza (Figura 24).

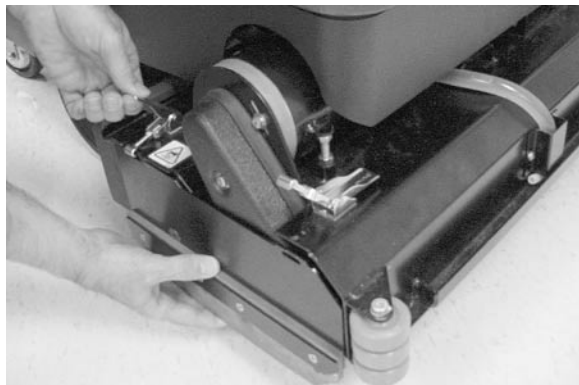


FIG. 24

3. Extraiga la placa del extremo del cepillo.
4. Sostenga el eje del cubo intermedio con una llave de .375 de pulgada y afloje el tornillo de cabeza Allen con una llave Allen de 6 mm (Figura 25).



FIG. 25

5. Al ajustar desde el cepillo, gire el eje en el sentido de las agujas del reloj para hacer descender el extremo del cepillo. En caso de ajustar el cepillo posterior, gire el eje en sentido contrario a las agujas del reloj para hacer descender el extremo del cepillo. Afirme el tornillo Allen después de ajustar (Figura 26).

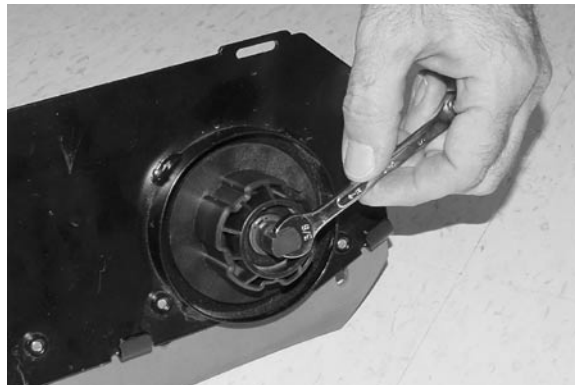


FIG. 26

6. Vuelva a colocar la placa intermedia e inspeccione nuevamente el patrón del cepillo. Reajuste si necesario.

# OPERACIÓN

## CARGA DE LA BATERÍA

Para prolongar la duración de la batería, SOLO recargue las baterías si se descargaron más de 15% de la capacidad de la batería. Cuando se descargaron 15% o menos, continúe usando la máquina antes de recargar.

*Ejemplo de tiempo de funcionamiento: 15% de descarga X 3 horas de tiempo total nominal de funcionamiento = 27 minutos.*

**Las siguientes instrucciones de carga son válidas exclusivamente para los cargadores de 24V suministrados con la máquina. En cualquier caso, utilice un cargador con las siguientes características para evitar el deterioro de las baterías.**

### ESPECIFICACIONES DEL CARGADOR:

- VOLTAJE DE SALIDA 24 VOLTIOS
- CORRIENTE DE SALIDA – 25 AMP MÁXIMO
- CIRCUITO DE APAGADO AUTOMÁTICO
- PARA CARGA PROFUNDA DE LA BATERÍA

**NOTA:** Para el funcionamiento óptimo de la máquina, mantenga las baterías cargadas en todo momento. Nunca deje las baterías descargadas durante períodos largos.

**⚠ ADVERTENCIA:** Mantenga alejada de chispas y llamas expuestas. Mantenga abierta la cubierta de la batería al cargar.

**PARA SEGURIDAD:** Al prestar servicio a la máquina, use guantes protectores y lentes de seguridad al manejar las baterías o los cables de la batería. Evite el contacto con el ácido de la batería.

1. Transporte la máquina a una área bien ventilada para cargar.
2. Estacione la máquina en una superficie nivelada y gire el conmutador principal a la posición OFF.

**PARA SEGURIDAD:** Antes de salir de o prestar servicio a la máquina, deténgala en una superficie nivelada y apáguela.

3. Abra la cubierta abisagrada del tanque de recuperación para acceder al compartimiento de la batería (Figura 27).

**NOTA:** Asegúrese de drenar el tanque de recuperación antes de acceder a las baterías.



FIG. 27

4. Antes de cargar, verifique el nivel del electrolito (UN) en cada célula de la batería. Si las placas de la batería (B) están expuestas, agregue suficiente agua destilada para justo cubrir las placas. No LLENE EN EXCESO. Las baterías llenadas en exceso pueden derramarse durante la carga debido a la expansión del líquido. Vuelva a colocar las tapas de la célula antes de cargar (Figura 28).

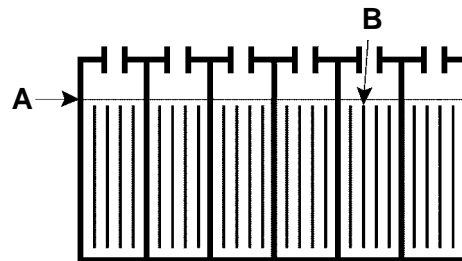


FIG. 28

5. Con el cordón de suministro de potencia desenchufado, conecte el cargador de la batería al receptáculo de carga de la máquina, según se muestra. Apoye el tanque de recuperación en el pie de soporte para promover ventilación (Figura 29).

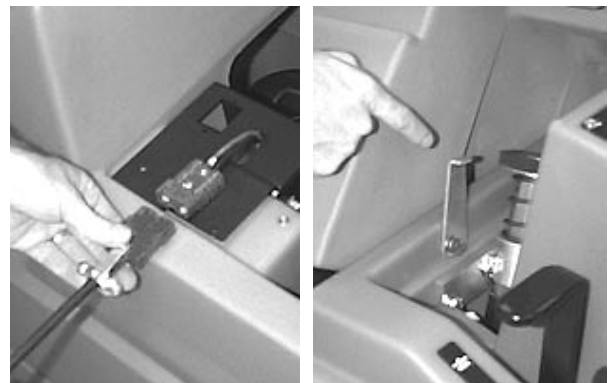


FIG. 29

- Enchufe el cable eléctrico del cargador a un enchufe con toma de tierra de la pared. (Figura 30).

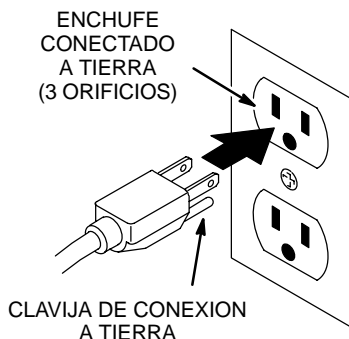


FIG. 30

**⚠ ADVERTENCIA:** Mantenga alejada de chispas y llamas expuestas. Mantenga abierta la cubierta de la batería al cargar.

**NOTA:** Una vez que se conecta el cargador la máquina no funciona.

- El cargador empezará a cargar automáticamente y se apagará también automáticamente cuando esté totalmente cargado.
- Al desconectar el cargador, empiece siempre desconectando el cargador de la pared.
- Después de cargar, verifique el nivel de electrolito de batería (A) en cada célula de la batería. El nivel debe ser 1 cm (3/8 pulg.) desde el fondo de los tubos transparentes (B) (Figura 31). Agregue agua destilada si necesario. No LLENE EN EXCESO.

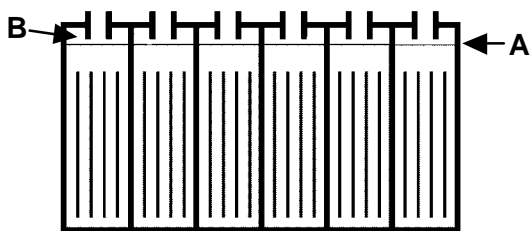


FIG. 31

## MANTENIMIENTO DE MAQUINA

Las reparaciones deberán ser realizadas por personal autorizado. Para mantener la máquina en buenas condiciones de funcionamiento bastará realizar las siguientes operaciones de mantenimiento diario, semanal o mensualmente.

**PARA SU SEGURIDAD:** Antes de abandonar o revisar la máquina, deténgase en una superficie plana, apague la máquina.

**⚠ ADVERTENCIA:** Desconecte los cables de la batería antes de prestar servicio a la máquina.

**ATENCION:** Consulte con un Centro de Servicio Autorizado para las reparaciones de la máquina. Las reparaciones de la máquina realizadas por alguien que no sea una persona autorizada cancelan su garantía.

## MANTENIMIENTO DIARIO (Cada 4 Horas de utilización)

- Vacíe y limpie a fondo los depósitos. Después de vaciar los depósitos, abra el depósito de recuperación hasta que pueda ver el orificio de entrada de la aspiración en la parte trasera del depósito. En caso necesario retire los residuos bloqueados en dicho orificio (Figura 32).



FIG. 32

# OPERACIÓN

2. Extraiga y limpie la pelusa del filtro del flotador de cierre del depósito de recuperación (Figura 33).



FIG. 33

3. Vacíe y enjuague la canaleta de residuos (Figura 34).

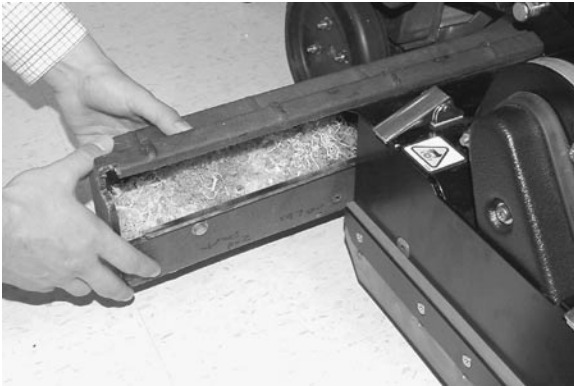


FIG. 34

4. Frote las cuchillas con un trapo seco y almacene el escurridor en la posición elevada para prevenir daños al mismo (Figura 35). Inspeccione las cuchillas del escurridor por daños y desgaste. Gire o reemplace las cuchillas cuando están gastadas o dañadas.

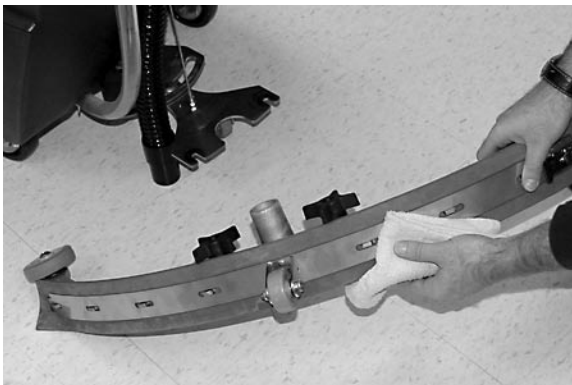


FIG. 35

Para reemplazar o girar la cuchilla delantera del escurridor, desenrosque los seis tornillos mariposa y extraiga la banda retenedora y la cuchilla del escurridor del marco del escurridor. Reemplace o gire el extremo de la cuchilla para el extremo o desde el tope a la parte inferior para permitir que un nuevo borde esté orientado hacia adelante (Figura 36).

Para reemplazar la cuchilla posterior del escurridor, suelte la mordaza del retenedor y extraiga la banda retenedora y la cuchilla del escurridor desde el marco del escurridor. Reemplace o gire el extremo de la cuchilla para el extremo o desde el tope a la parte inferior para permitir que un nuevo borde esté orientado hacia adelante (Figura 36).

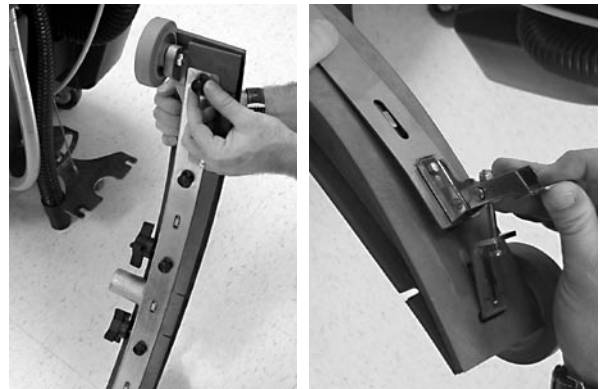


FIG. 36

5. Inspeccione los cepillos por desgaste y cerdas enredadas. Cambie los cepillos si las cerdas se han desgastado a un largo de 10mm (0.38 pulg.) o menos (Figura 37).



FIG. 37

6. Inspeccione los faldones del cabezal de limpieza por desgaste y ajuste. Los faldones deben tocar el piso, ajuste si necesario (Figura 38). Reemplace si están dañados.



FIG. 38

**NOTA:** Siempre reemplace cepillos como un juego. Nunca reemplace uno solamente.

7. Limpie el bastidor de la máquina con un limpiador no abrasivo que no contenga disolventes. (Figura 39).



FIG. 39

**ATENCIÓN:** No moje la máquina rociándola o con la manguera. Podría averiar los componentes eléctricos.

8. Enjuague la canaleta de alimentación de solución.
9. Recargue las baterías en caso necesario.

**NOTA:** Para prolongar la duración de la batería, SOLO recargue las baterías si se descargaron más de 15% de la capacidad de la batería.

## MANTENIMIENTO SEMANAL (Cada 20 Horas de utilización)

1. Extraiga el filtro en línea. Antes de extraer el filtro, asegúrese de que el depósito de la disolución está vacío. El filtro se encuentra debajo de la máquina en la parte trasera (Figura 40).

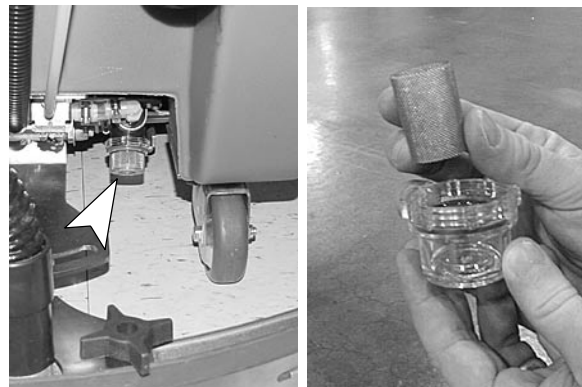


FIG. 40

2. Verifique el nivel del electrolito en cada célula de la batería (vea MANTENIMIENTO DE LA BATERIA).
3. Limpie la parte superior de la batería para evitar la formación de corrosión. (Consulte el apartado de MANTENIMIENTO DE LA BATERÍA).
4. Controle si los cables de la batería están sueltos u oxidados.

## MANTENIMIENTO MENSUAL (Cada 80 Horas de utilización)

1. Lave el sistema de la solución con una mezcla de agua y un líquido neutralizador recomendado para disolver la acumulación de sustancias químicas. Vierta 11.3 Litros (3 gals) de agua limpia en el tanque de la solución, a una temperatura máxima de 60°C (140°F). Agregue líquido neutralizador según las instrucciones de mezcla. Opere la máquina brevemente sobre un desagüe del piso, opción ES™, y la opción de la vara, por 30 segundos cada una. Apague la máquina y deje inactiva por una noche. El próximo día, disperse la mezcla restante y enjuague el sistema de la solución con agua limpia.

**NOTA:** Consulte con su proveedor químico para un líquido neutralizador recomendado.

# OPERACIÓN

**PARA SEGURIDAD: Al usar máquina, siga las instrucciones de mezcla y manejo de los recipientes químicos.**

2. Inspeccione el patrón del cepillo para un ajuste apropiado (vea AJUSTE DE LOS CEPILLOS).
3. Lubrique los puntos de lubricación de la ruedecilla con grasa impermeable. (Figura 41).

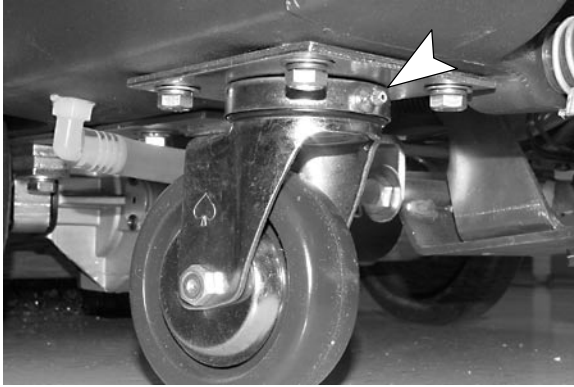


FIG. 41

4. Lubrique todos los puntos pivotantes de conexión con un spray de silicona y luego con una capa de grasa impermeable para permitir un funcionamiento suave.
5. Inspeccione la tensión de la correa del cepillo. La desviación apropiada de la correa debe ser de 6.35 mm (0.25 pulg.) en el punto medio, con una fuerza de 5.44–5.81 Kg (12.0–12.8 lbs) (Figura 42).

**PARA SU SEGURIDAD: Al revisar la máquina, protéjase las manos con guantes al manejar las baterías y sus cables. Evite el contacto con el ácido de la batería.**

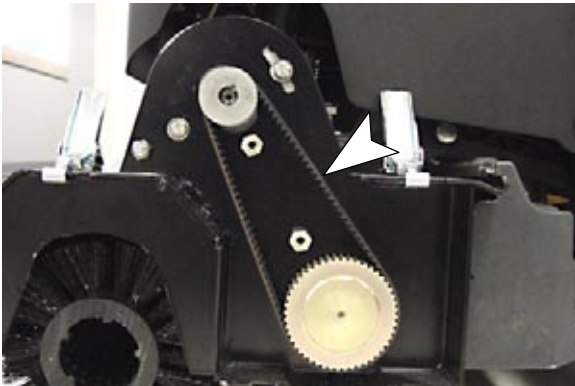


FIG. 42

Para ajustar la tensión de la correa, afloje los dos tornillos de montaje del motor y gire el tornillo de ajuste (Figura 43). Afirme los tornillos y la contratuerca después de ajustar.

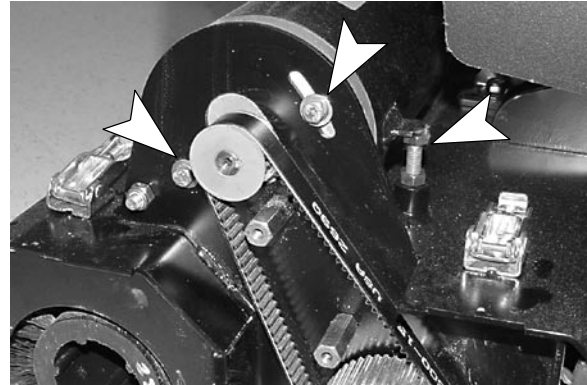


FIG. 43

**ATENCIÓN: Póngase en contacto con un Centro de Servicio autorizado para reparar las máquinas.**

6. Controle que la máquina no presenta escapes de agua ni tornillos ni tuercas flojos.

## MANTENIMIENTO TRIMESTRAL (Cada 250 Horas de utilización)

Controle el desgaste del cepillo de carbón de los motores de impulsión, aspiración y del cepillo. Sustituya los cepillos si su longitud es igual o inferior a 3/8" (1cm).

Consulte con un Centro de Servicio Autorizado para la inspección de las escobillas de carbono.

**PARA SEGURIDAD: Al prestar servicio a la máquina, todas las reparaciones deben realizarse por una persona calificada de servicio.**

## MANTENIMIENTO DE LA BATERÍA

La duración de las baterías está limitada por la cantidad de cargas recibidas por la batería. Para obtener la mayor duración de las baterías, mantenga el nivel apropiado de electrolito y sólo recargue cuando se descarguen más de 15% de capacidad de la batería.

**⚠ ADVERTENCIA: Mantenga alejada de chispas y llamas expuestas. Mantenga abierta la cubierta de la batería al cargar.**

**PARA SEGURIDAD: Al prestar servicio a la máquina, use guantes protectores y lentes de seguridad al manejar las baterías o cables de la batería. Evite el contacto con el ácido de la batería.**

1. Siempre siga las instrucciones apropiadas de carga (vea CARGA DE LAS BATERÍAS).
2. Inspeccione el nivel de líquido (A) en cada célula de la batería. El nivel de líquido debe ser de 1 cm (3/8 pulg.) desde el fondo de los tubos transparentes después de cargar. Agregue agua destilada si necesario. No LLENE EN EXCESO. Las baterías llenadas en exceso pueden derramarse durante la carga debido a la expansión del líquido (Figura 44).

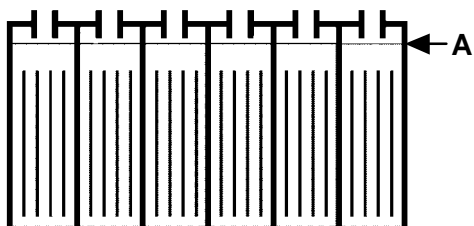


FIG. 44

3. Después de cargar las baterías, mida la gravedad específica en cada célula de la batería usando un hidrómetro (Figura 45). Esto determinará el nivel de carga y condición de las baterías. Si una o más de las células de la batería prueban estar a un nivel inferior que la otra célula de la batería (0.050 o más), la célula está dañada, en cortocircuito, o está por fallar.

**NOTA:** *N obtenga una lectura inmediatamente después de agregar agua destilada. El agua y el ácido debe mezclarse completamente para obtener una lectura exacta.*



FIG. 45

GRAVEDAD ESPECIFICA a 27° C (80° F)	CARGA DE BATERIA
1.265	100% CARGADA
1.223	75% CARGADA
1.185	50% CARGADA
1.148	25% CARGADA
1.110	DESCARGADA

**NOTA:** *Agregue o substraiga 0.004 en la lectura de gravedad que lee para cada 6° C (10° F) sobre o debajo de 27° C (80° F).*

4. Mantenga la parte superior de las baterías y sus bornes limpios y secos.

Para limpiar las baterías:

- a. Haga una disolución concentrada de bicarbonato y agua. (Figura 46).



FIG. 46

- b. Rocíe ligeramente la parte superior de la batería, borne y conectores del cable con esta disolución y límpielos con un cepillo.

**NOTA:** *La disolución de agua con bicarbonato no debe introducirse en los elementos de las baterías.*

- c. Utilice un cepillo con cerdas de alambre para limpiar los bornes del terminal y las conexiones del cable.
- d. Una vez limpia la batería, aplique una capa protectora de bornes transparente a los bornes y conexiones del cable.

5. Controle si los cables están flojos o gastados. Sustitúyalos si están gastados.

# OPERACIÓN

## TRANSPORTE DE LA MÁQUINA

Cuando transporte la máquina en un camión o remolque, asegúrese de seguir los pasos siguientes para sujetar la máquina:

**PARA SU SEGURIDAD: Conduzca despacio cuando utilice la máquina en pendientes o superficies resbaladizas.**

1. Retire la escobilla de goma de la máquina y levante el cabezal de fregado.
2. Cargue la máquina usando una rampa recomendada de carga. Para evitar daños a la máquina, no ascienda sobre rampas que excedan 9 grados.
3. Colocar el frente de la máquina contra la parte delantera del remolque o camión. Una vez que la máquina esté en posición, bajar el cabezal del cepillo.
4. Coloque un calzo detrás de la rueda tractora y de las ruedecillas traseras.
5. Pase las cintas de sujeción por la parte superior de la máquina y sujételas al suelo. Puede ser necesario instalar varios soportes de sujeción en el suelo de su camión o remolque.

**NOTA:** No use las empuñaduras de control para asegurar la máquina al transportar.

**PARA SEGURIDAD: Al transportar máquina, use una rampa recomendada cuando se carga/descarga a/fuera de un camión o acoplado, use correas de amarre para asegurar la máquina al camión o remolque.**

## ALMACENAMIENTO DE LA MÁQUINA

1. Cargue las baterías antes de guardar la máquina. No guarde nunca máquina con las baterías descargadas.
2. Antes de guardar la máquina, asegúrese de aclarar y vaciar todo el agua de los depósitos de la máquina.
3. Guarde la máquina en un sitio seco desmontando la escobilla de goma y con el cabezal de fregado en la posición elevada.

**ATENCIÓN: Si guarda la máquina a temperaturas inferiores a 0°C, asegúrese de vaciar todo el agua de la máquina. La garantía no cubre averías causadas por heladas.**

**ATENCIÓN: No permita que la lluvia moje la máquina, guárdela en lugares cerrados.**

## RECOMENDACIONES PARA EL ALMACENAMIENTO

Consulte la sección de Lista de Repuestos para ver que productos son los recomendados. Los elementos de almacén están claramente identificados con una marca colocada delante de la descripción de la pieza. Consulte el siguiente ejemplo:

Ref.	Part No.	Description	Qty.
1	70110	ASM., STANDPIPE	1
2	180613	●FLOAT, SHUTOFF	1
3	230187	NIPPLE	1
4	101714	●GASKET	1
5	210240	NUT, FLANGED	1

**LOCALIZACIÓN DE AVERÍAS**

<b>PROBLEMA</b>	<b>CAUSA</b>	<b>SOLUCIÓN</b>
No hay alimentación, no funciona nada.	Interruptor principal defectuosos.	Contactar con el Servicio Técnico.
	Las baterías necesitan ser cargadas.	Consultar el apartado de CARGA DE LAS BATERÍAS.
	Batería(s) defectuosa(s).	Sustituir la(s) batería(s).
	Cable de la batería suelto.	Fijar el cable suelto.
	Cortacircuitos principal activado.	Determinar la causa y reajustar el botón del cortacircuitos.
	Está activado el botón de corte de potencia.	Gire el botón en el sentido de las agujas del reloj para reconfigurar.
Los motores del cepillo no funcionan.	Los mandos de control no están girados.	Girar los mandos de control.
	Cortacircuitos del cepillo activado(s).	Limpia o sustituir la almohadilla y reajustar el botón del cortacircuitos.
	Cableado o motor del cepillo defectuosos.	Contactar con el Servicio Técnico.
	Cepillos de carbón gastados.	Contactar con el Servicio Técnico.
	El motor de impulsión no funciona.	Contactar con el Servicio Técnico.
Motor de aspiración no funciona.	Interruptor de aspiración defectuoso.	Contactar con el Servicio Técnico.
	Corta circoito de aspiración ha saltado.	Retirar obstrucción y pouga cortacircuito de nuevo.
	Cableado o motor del aspiración defectuosos.	Contactar con el Servicio Técnico.
	Carboucillos desgastados.	Contactar con el Servicio Técnico.
Motor de avance no funciona.	Cortacircuitos del motor de impulsión activado.	Determinar la causa y reajustar el cortacircuitos.
	Circuito de control de la velocidad o conexión defectuoso.	Contactar con el Servicio Técnico.
	Solenoiide defectuoso.	Contactar con el Servicio Técnico.
	Motor de impulsión defectuoso.	Contactar con el Servicio Técnico.
	Cableado defectuoso.	Contactar con el Servicio Técnico.
	Cepillos de carbón gastados.	Contactar con el Servicio Técnico.
Los motor de impulsión funcionan pero no correctamente.	Potenciómetro o circuito de control de la velocidad defectuoso.	Contactar con el Servicio Técnico.
	Conexión del cable suelta	Contactar con el Servicio Técnico.
Flujo de la disolución escaso o nulo.	Es necesario ajustar el botón de ajuste del flujo de la disolución.	Gire el botón de ajuste del flujo de disolución en el sentido de las agujas del reloj para aumentar el flujo.
	Tubería de la disolución o filtro del depósito de la disolución bloqueados.	Retirar la manguera e introducir aire comprimido a través de su orificio. Aclarar el depósito de la disolución después de cada uso.
	Válvula o solenoide de la disolución bloqueados.	Retirar la válvula o el solenoide y limpiar. No raye el interior de la válvula.

# OPERACIÓN

## LOCALIZACIÓN DE AVERÍAS – continuación

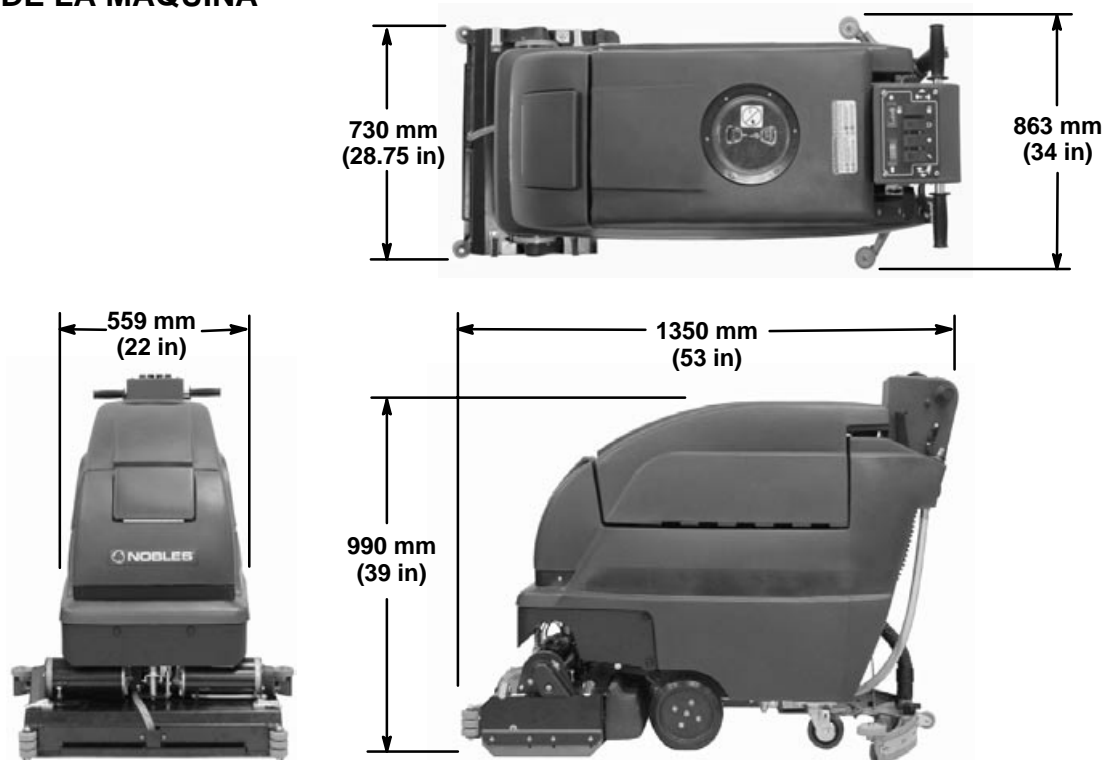
PROBLEMA	CAUSA	SOLUCIÓN
Flujo de la disolución escaso o nulo.	Interruptor o solenoide de la disolución defectuoso.	Contactar con el Servicio Técnico.
	Afloje el tornillo de fijación del mando de la disolución	Calibre el mando y vuelva a apretar tornillos.
Recogida de agua insuficiente.	Depósito de recuperación lleno.	Vaciar el depósito de recuperación.
	Filtro del flotador de cierre del interior del depósito de recuperación bloqueado.	Extraer el filtro y limpiar.
	Escobilla de goma bloqueada.	Limpiar la escobilla de goma.
	Láminas de la escobilla de goma gastadas.	Sustituir las láminas de la escobilla de goma.
	Los tornillos de montaje del escurridor están flojos.	Apretar los tornillos de orejas.
	Las conexiones de la manguera de vacío están sueltas o la manguera está dañada.	Introducir bien la manguera de aspiración en sus conexiones. Sustituir la manguera si está dañada.
	Manguera de aspiración bloqueada.	Retirar los residuos bloqueados.
	Orificio de entrada del depósito de recuperación bloqueado.	Vaciar el depósito de recuperación y levantarlo lateralmente para poder acceder al orificio de entrada, retirar la obstrucción.
	Junta del depósito defectuosa.	Sustituir la junta.
	Tapón de la manguera de vaciado mal cerrado.	Cerrar bien el tapón de vaciado.
	Tapa del depósito de recuperación mal cerrada.	Cerrar la tapa.
	Motor de aspiración flojo.	Contactar con el Servicio Técnico.
	Nivel de carga de la batería bajo.	Cargar las baterías. No utilizar la máquina cuando la aguja indicadora del nivel de carga de la batería se encuentra en la zona roja.
Tiempo breve de funcionamiento.	Las baterías no están totalmente cargadas.	Cargue las baterías
	Célula defectuosa en una o más baterías.	Reemplace la batería.
	Las baterías necesitan mantenimiento.	Vea MANTENIMIENTO DE LA BATERIA.
	Cargador defectuoso.	Reemplace el cargador de la batería.
Las luces de seguridad no funcionan.	Bombilla fundida.	Contactar con el Servicio Técnico.

## ESPECIFICACIONES

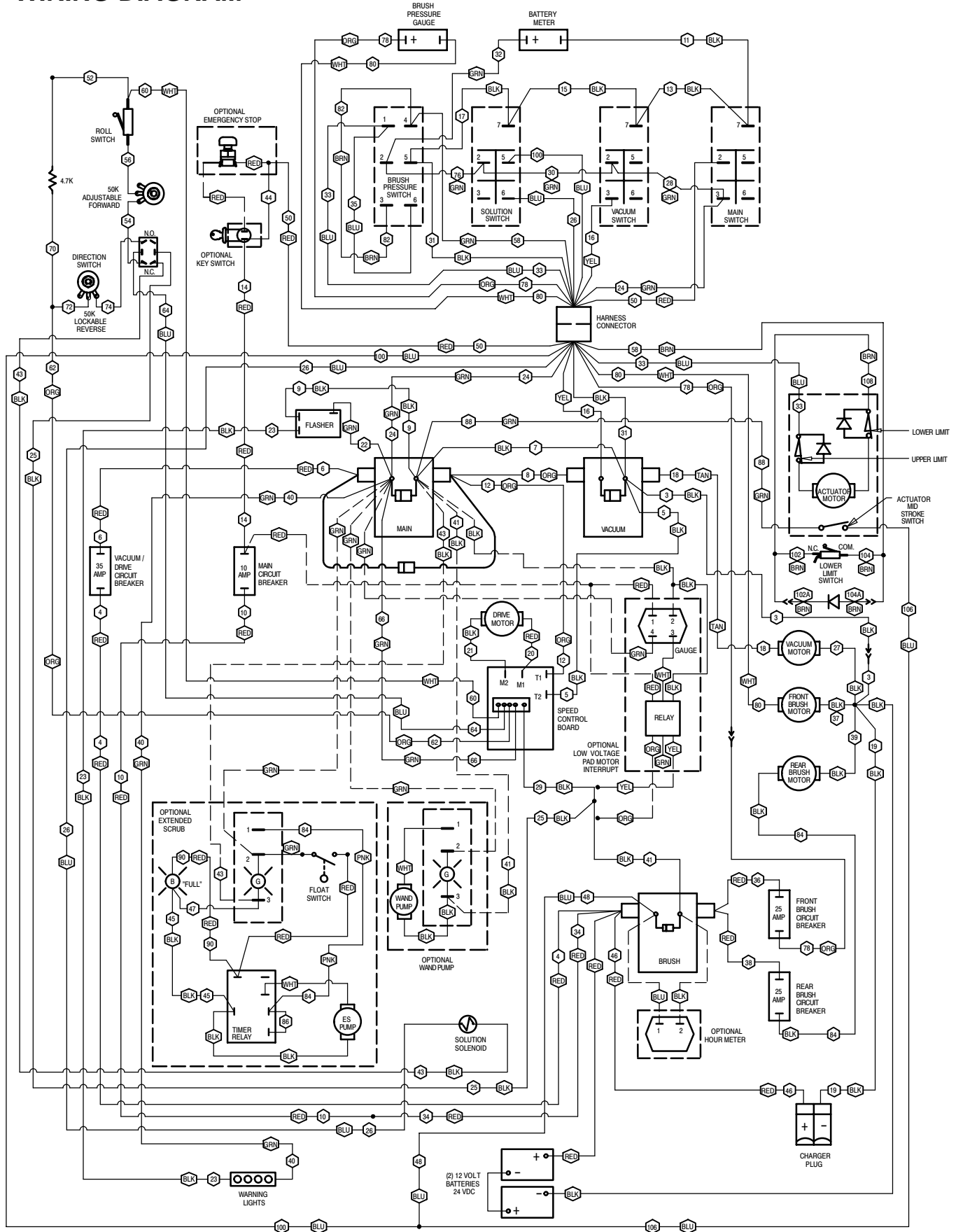
MODELO	SPEED SCRUB™ 2601
LONGITUD	1350 mm (53 in)
ANCHURA	730mm (28.75 in)
ALTURA	990 mm (39 in)
PESO	152 kg (335lb) 254 Kg (560lb)—c/ baterías
CAPACIDAD DEL DEPÓSITO DE DIS./REC.	64 L (17 Gal)
CONTROL DE LA VELOCIDAD	Hacia delante variable. / Fixed Rev./ Marcha atrás fija.
VELOCIDAD DE LIMPIEZA (MAX)	76.2 m <sup>2</sup> (250 ft) por minuto
ANCHURA DEL CARRIL DE LIMPIEZA	660 mm (26 in)
DIAMETRO DEL CEPILLO	2 – 152mm (6 in)
PRESION DEL CEPILLO	Variable 0–41Kg (0–90 lb)
ANCHURA DE LA ESCOBILLA DE GOMA	839 mm (33 in)
SISTEMA DE IMPULSIÓN	Eje de transmisión, .2 c.v., 24V
MOTOR DEL CEPILLO	2 – .75 h.p., 1500 rpm, 24V, 23A, 550W
MOTOR DE ASPIRACIÓN	.75 c.v., 3–tiempos 5.7, 24V, 21A, 550W
ELEVACION DE AGUA / FLUJO NEUMATICO	1727 mm (68 pulg.) / 69cfm (2m <sup>3</sup> ) por minuto
BATERÍAS	2–12V, 215AH
CONSUMO TOTAL DE POTENCIA	24V, 53 AMPERIOS NOMINALES
AUTONOMÍA POR CARGA	Hasta 4 3/4 horas
NIVEL DE RUIDO EN DECIBELIOS A LA ALTURA DEL OPERARIO EN RECINTO CERRADO CON SUELO DE BALDOSAS.	75 dB(A)

Las especificaciones pueden cambiar sin aviso previo.

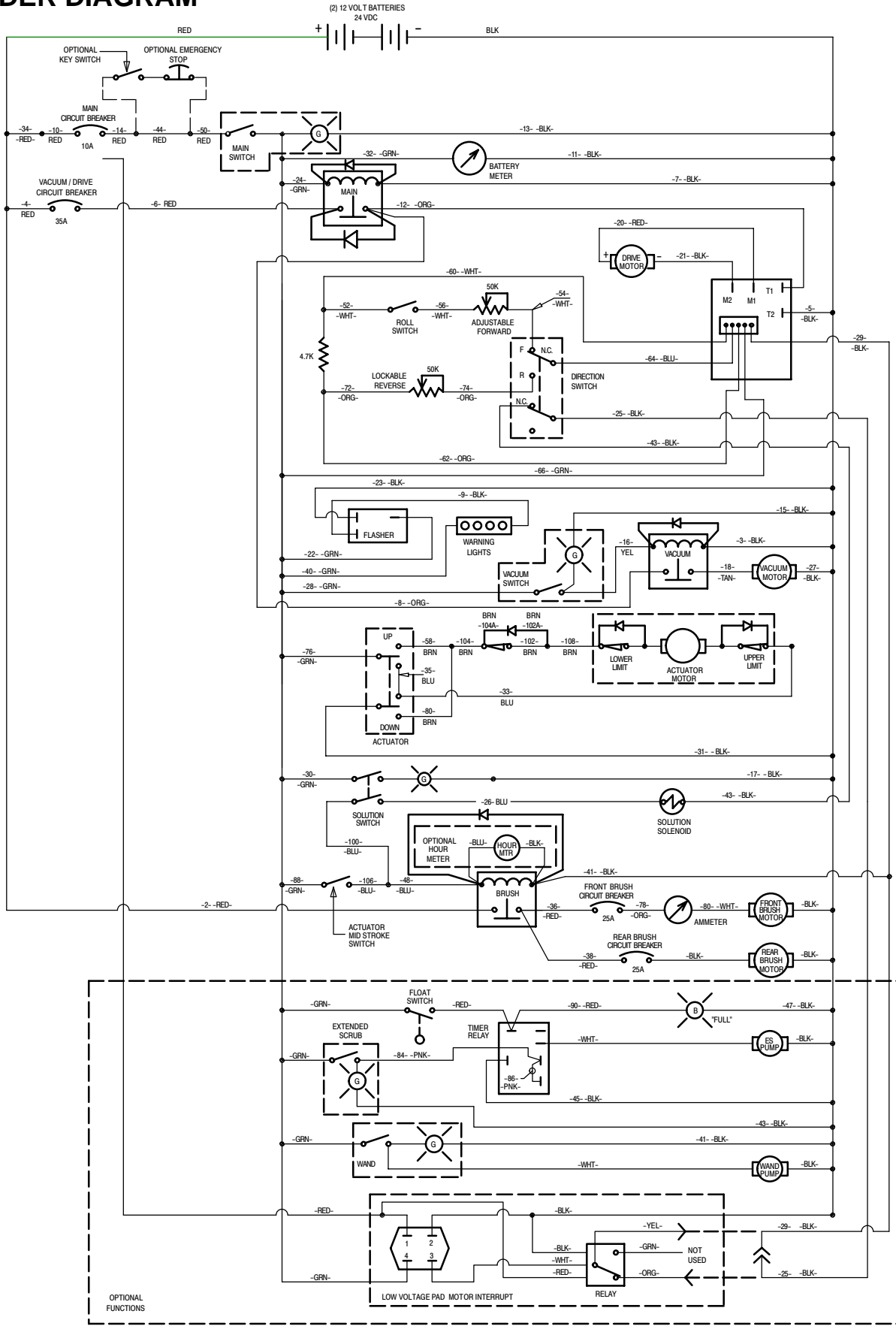
## DIMENSIONES DE LA MAQUINA



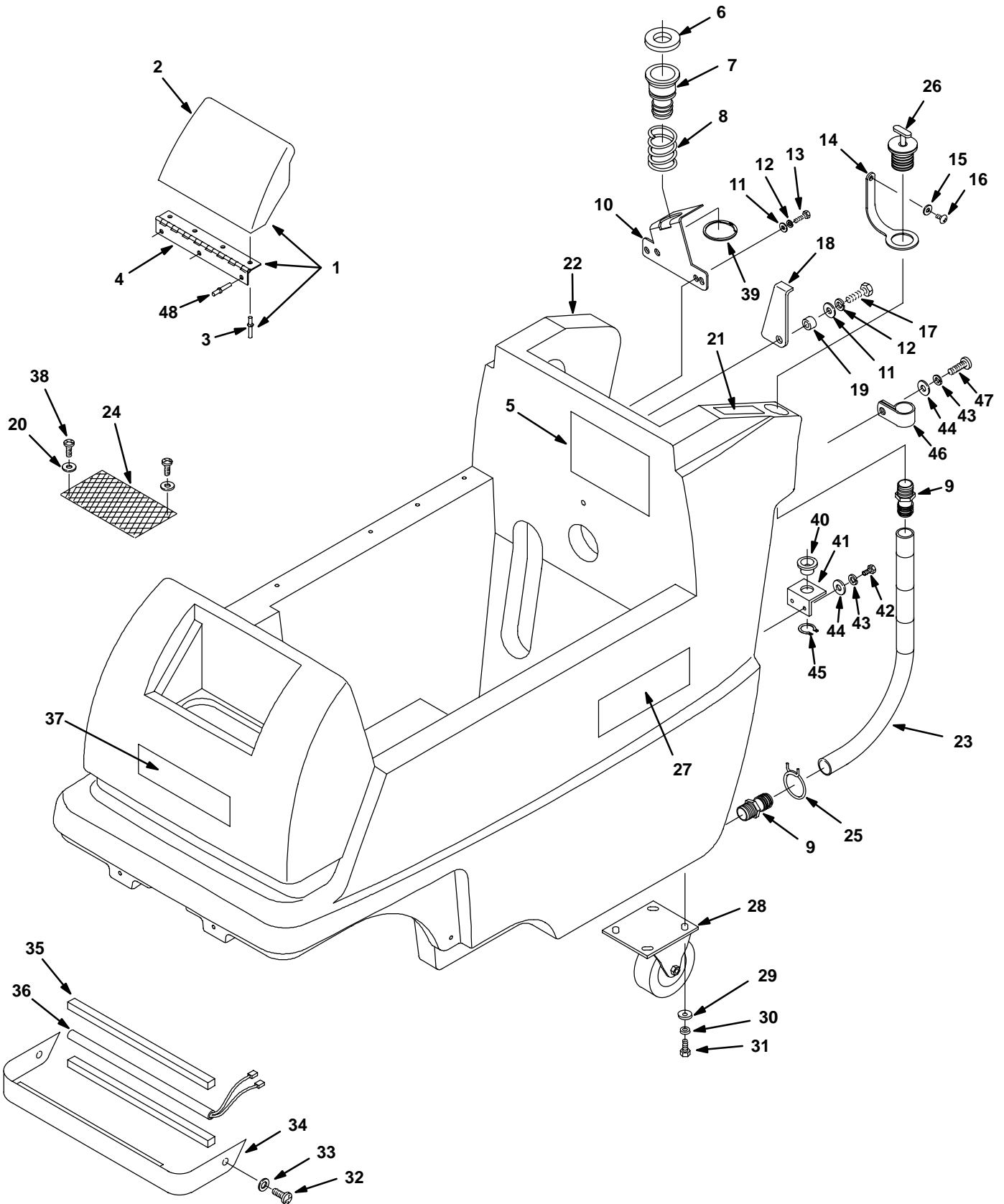
**WIRING DIAGRAM**



LADDER DIAGRAM



SOLUTION TANK GROUP  
GRUPE DEL DEPÓSITO DE DISOLUCIÓN



**SOLUTION TANK GROUP**  
**GRUPE DEL DEPÓSITO DE DISOLUCIÓN**

REF	PART #	DESCRIPTION	QTY.
▽ 1	608518	ASM., SOL. TANK COVER GREEN	1
▲ 2	612518	COVER, TANK GREEN	1
▲ 3	140706	RIVET, POP	4
▲ 4	611068	HINGE, COVER	1
5	603233	LABEL, BATTERY RECHARGE	1
6	630010	●GASKET, TUBE ADAPTER	1
7	630011	TUBE, VAC	1
8	630267	SPRING, TUBE ADAPTER	1
9	150529	HOSE BARB	2
10	608706	BRACKET, VAC TUBE	1
11	140027	WASHER, 5/16 FLAT	3
12	140015	WASHER, 5/16 LOCK	3
13	200031488	SCREW, M8X1.25X20 HXHDCP	2
14	600476	●STRAP, PLUG REAR FILL	1
15	140011	WASHER, 3/16 FLAT	1
16	140350	SCREW, #10X1/2 PANPHL	1
17	200031488	SCREW, M8X1.25X20 HXHDCP	1
18	230925	SUPPORT, RECOVERY TANK	1
19	611418	BUSHING	1
20	140032	WASHER, #6 FLAT	2
21	600650	LABEL, SQUEEGEE LEVER CE	1
22	613889	TANK, SOLUTION GREEN	1
23	607983	ASM., DRAIN HOSE W/LEVEL IND.	1
24	602529	●SCREEN, FILL	1

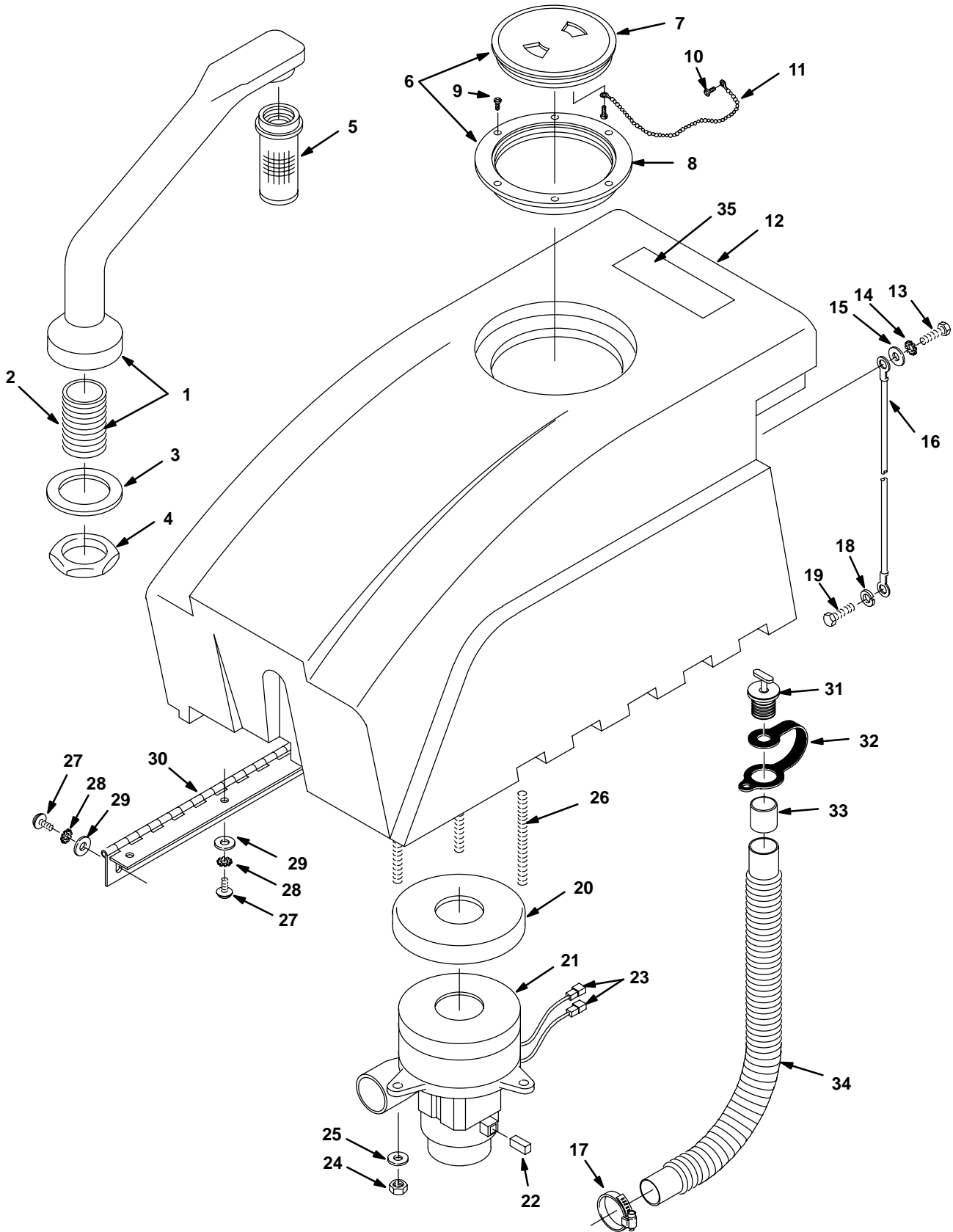
REF	PART #	DESCRIPTION	QTY.
25	608915	CLAMP, HOSE 2-WIRE	1
26	621324	●PLUG, EXPANSION	1
27	608449	LABEL, "SPEED SCRUB 2601"	2
28	612056	●CASTER, 4"	2
29	140027	WASHER, 5/16" FLAT	8
30	140015	WASHER, 5/16" LOCK	8
31	578237000	SCREW, M8X1.25X18 HXHDCP	8
32	578141000	SCREW, M5X10 PANPHL	2
33	140018	WASHER, #10 LOCK	2
34	612765	SHIELD, LIGHT	1
35	605324	GASKET, 1/2"X1.34'	2
36	130023	LIGHT, SAFETY	1
37	608184	LABEL, NOBLES LOGO	1
38	3701.6	SCREW, #6X3/8 PANPHL	2
39	630016	RING, RETAINING	1
40	621235	BUSHING, CABLE	1
41	630157	BRACKET, CABLE GUIDE	1
42	200031432	SCREW, M6X1.0X10 HXHDCP	2
43	200655017	WASHER, M6 LOCK	3
44	140000	WASHER, 1/4 FLAT	3
45	621236000	RING, RETAINING	1
46	140314	CLAMP, CABLE	1
47	608322	SCREW, M6X1.0X16 TRSPHL	1
48	140706	RIVET, POP	3

▽ ASSEMBLY / CONJUNTO

▲ INCLUDED IN ASSEMBLY / INCLUIDO EN EL CONJUNTO

● RECOMMENDED STOCK ITEMS / ARTICULOS RECOMENDADOS PARA  
MANTENER EN EXISTENCIA

RECOVERY TANK GROUP  
CONJUNTO DEPOSITO RECUPERAR



**RECOVERY TANK GROUP**  
**CONJUNTO DEPOSITO RECUPERAR**

REF	PART #	DESCRIPTION	QTY.
∇ 1	701103	ASM., STANDPIPE	1
▲ 2	606088	FITTING, NIPPLE	1
3	101714	●GASKET	1
4	210240	NUT, FLANGED	1
5	180613	●FLOAT, SHUT-OFF	1
∇ 6	100102	●ASM., LID CLEAR W/STD HOLE	1
▲ 7	100105	●LID, CENTER CLEAR ONLY	1
▲ 8	100109	●LID, OUTER RING ONLY	1
9	140826	SCREW, #6X3/4 PANPHL	6
10	3701.6	SCREW, #6X3/8 PANPHL	2
11	230513	CHAIN	1
12	608297	TANK, RECOVERY GREEN	1
13	363503	SCREW, M06X1.0X12 PANPHL	1
14	140052	WASHER, 1/4 LOCK	1
15	140000	WASHER, 1/4 FLAT	1
16	140960	●CABLE	1
17	140308	CLAMP	1

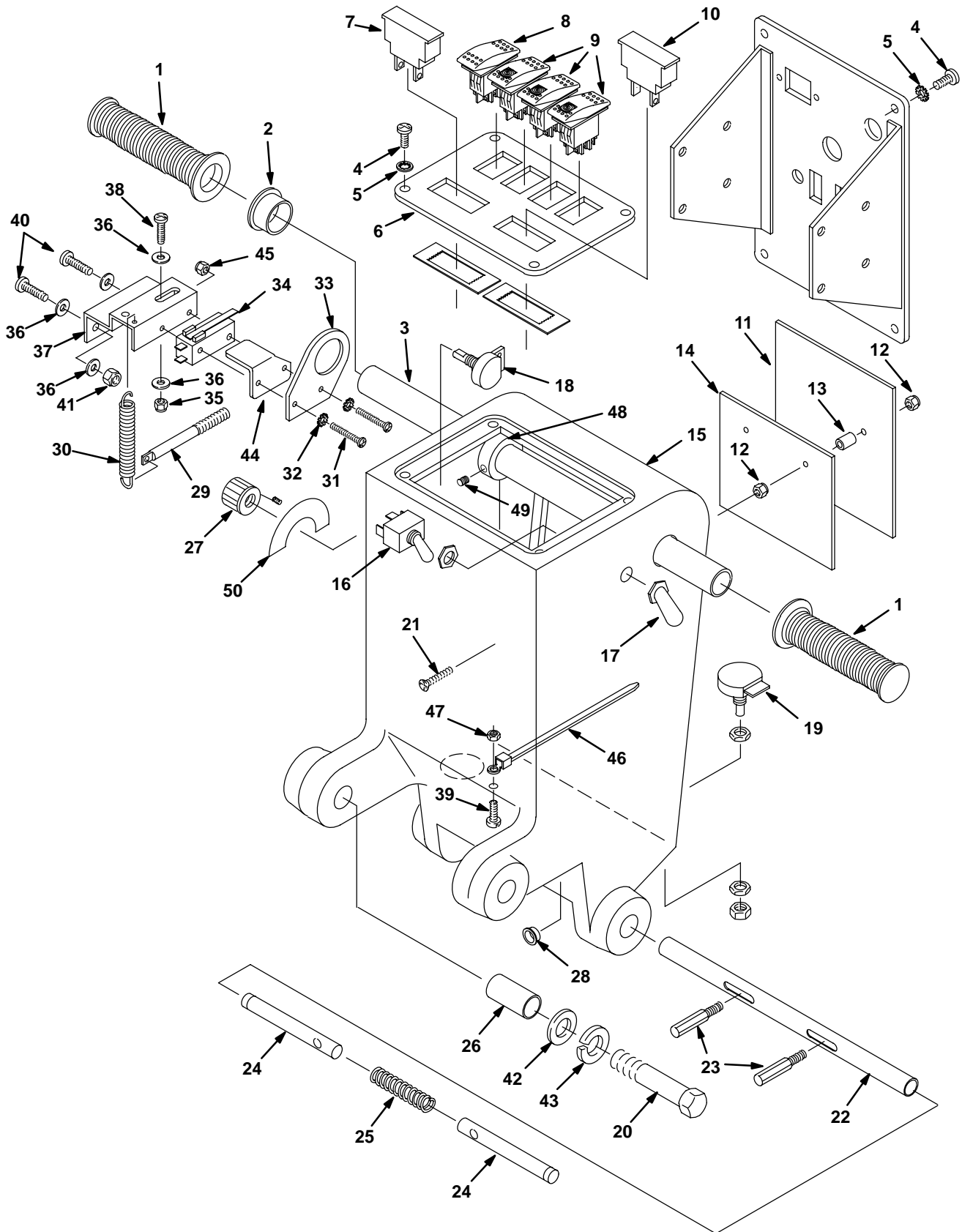
REF	PART #	DESCRIPTION	QTY.
18	140015	WASHER, 5/16 LOCK	1
19	200031488	SCREW, M8X1.25X20 HXHDCP	1
20	0174..10	●SEAT, NEOPRENE MOTOR	1
∇ 21	130477	●MOTOR, VAC 5.7/3 STG 24 VDC	1
▲ 22	190163	●CARBON BRSH W/HOLDER 2/PK	2
23	130096	TERMINAL, MALE DISCONNECT	2
24	08712	NUT, M6 NYLOCK	3
25	140000	WASHER, 1/4 FLAT	3
26	140353	STUD, M6X1.0X108	3
27	363503	SCREW, M06X1.0X12 PANPHL	11
28	140052	WASHER, 1/4 LOCK	11
29	140000	WASHER, 1/4 FLAT	11
30	600311	●HINGE, RECOVERY TANK	1
31	621324	●PLUG, EXPANSION	1
32	578441	●STRAP, DRAINHOSE	1
33	630394	●SLEEVE, DRAINHOSE	1
34	630068	●HOSE, DRAIN	1
35	613287	LABEL, WARNING	1

∇ ASSEMBLY / CONJUNTO

▲ INCLUDED IN ASSEMBLY / INCLUIDO EN EL CONJUNTO

● RECOMMENDED STOCK ITEMS / ARTICULOS RECOMENDADOS PARA  
MANTENER EN EXISTENCIA

CONSOLE GROUP  
CONJUNTO CONSOLA DE CONTROLES



**CONSOLE GROUP**  
**CONJUNTO CONSOLA DE CONTROLES**

REF	PART #	DESCRIPTION	QTY.
1	200823	●GRIP, HANDLE TUBE	2
2	605351	BUSHING	1
3	604402	HANDLE, TUBE	1
4	578141000	SCREW, M5X10 PANPHL	8
5	140018	WASHER, #10 LOCK	8
∇	613596	ASM., SWITCH PANEL	1
▲ 6	1006011	PANEL, SWITCH	1
▲ 7	1005931	●GAUGE, BRUSH PRESSURE	1
▲ 8	603399	●SWITCH, ROCKER	1
▲ 9	601107	●SWITCH, LIGHTED ROCKER	3
▲ 10	606020	●METER, BATTERY VOLTAGE 24V	1
▲ N/S	613569	HARNESS, MAIN/SWITCH/ CONSOLE	1
11	630104	●SPEED CONTROL, PMB 55 AMP	1
12	02850	NUT, M4 HXLCK	4
13	630261	SPACER	2
14	630128	HEATSINK, ALLUM.	1
15	608299	HOUSING, CONTROL GREEN	1
16	1006258	●SWITCH, TOGGLE	1
17	130753	●BOOT, SWITCH	1
∇ N/S	602873	HARNESS, CONSOLE W/POT.	1
▲ 18	130776	●POTENTIOMETER, 50K	1
▲ 19	130775	●POTENTIOMETER, 50K LOCKABLE	1
20	140351	SCREW, M12X1.75X70 HXHDPC	2
21	630304	SCREW, M4X.7X35 FLTPHL	2
22	230715	TUBE, HANDLE ADJUSTMENT	1
23	230649	PIN, HANDLE ADJUSTMENT	2
24	230710	PIN, HANDLE LOCK	2

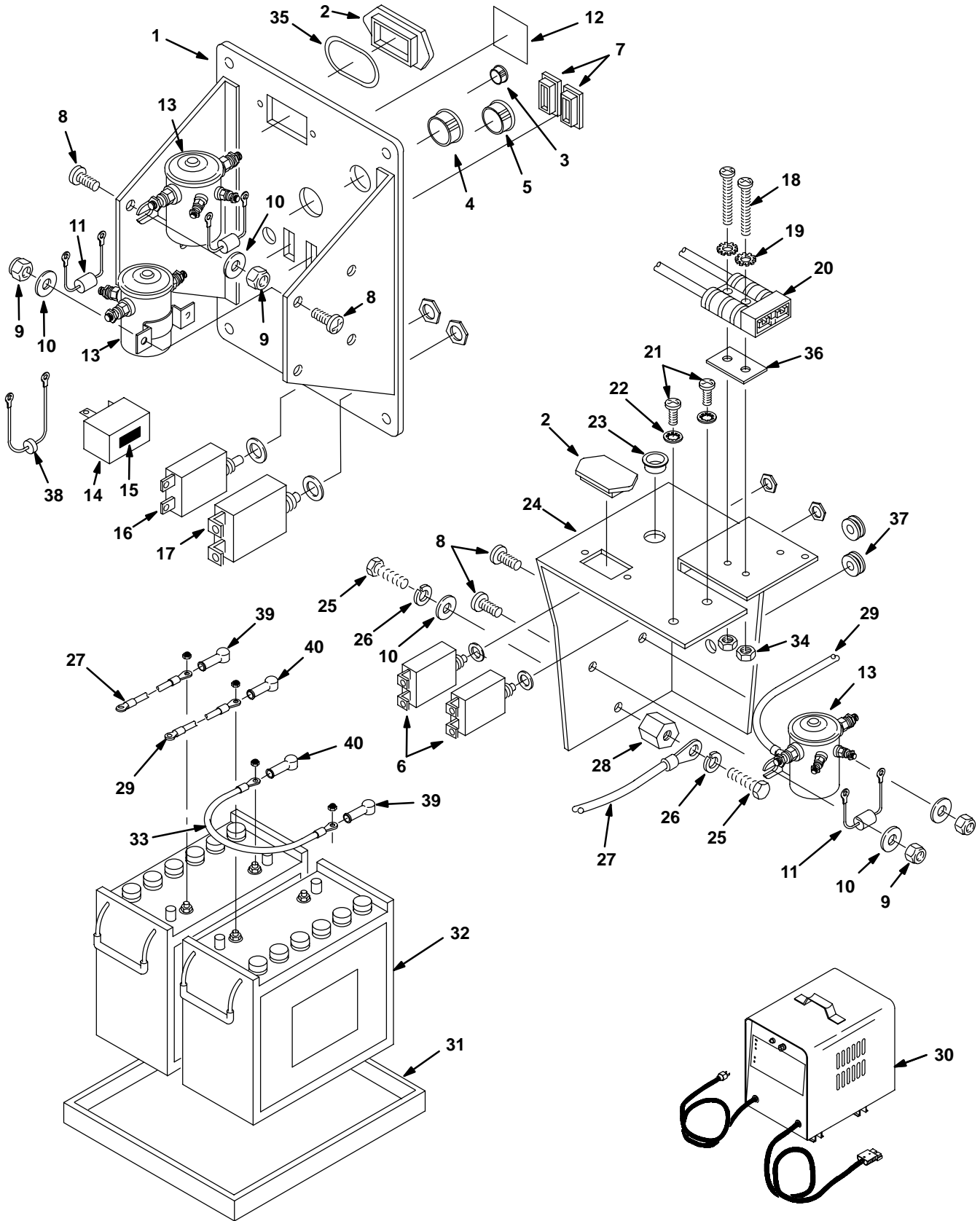
REF	PART #	DESCRIPTION	QTY.
25	140415	SPRING, LOCK PIN	1
26	140155	BUSHING	2
27	606550	●KNOB, SPEED CONTROL	1
28	603007	BUSHING, SNAP	1
29	602886	PIN, SPRING RETURN	1
30	605812	SPRING, EXTENSION	1
31	140829	SCREW, #6-32X1 PANPHL	2
32	140019	WASHER, #6 LOCK	2
33	27098	BRACKET, SWITCH	1
34	130729	●SWITCH, ROLL	1
35	140552	NUT, #10-24 NYLOCK	1
36	140000	WASHER, 1/4 FLAT	6
37	25671	MOUNT, SWITCH	1
38	140890	SCREW, #10-24X1/2 TRSPHL	1
39	140900	SCREW, #10-24X3/4 TRSPHL	1
40	608322	SCREW, M6X1.0X16 TRSPHL	2
41	08712	NUT, M6 NYLOCK	2
42	140045	WASHER, 1/2 FLAT	2
43	140024	WASHER, 1/2 LOCK	2
44	603830	PLATE, GUARD SWITCH	1
45	140540	NUT, #6-32 HEX	2
46	630343	CLAMP, CABLE	1
47	140552	NUT, #10-24 NYLOCK	1
48	605094	COLLAR, HANDLE	2
49	140859	SCREW, 1/4-20X1/4 SK CUP	2
50	606549	LABEL, SPEED CONTROL	1
N/S	222290	DIODE, ELEC. PLUG	1

∇ ASSEMBLY / CONJUNTO

▲ INCLUDED IN ASSEMBLY / INCLUIDO EN EL CONJUNTO

● RECOMMENDED STOCK ITEMS / ARTICULOS RECOMENDADOS PARA  
MANTENER EN EXISTENCIA

ELECTRICAL / BATTERY GROUP  
GRUPO DEL ELÉCTRICO/BATERÍA



**ELECTRICAL / BATTERY GROUP**  
**GRUPO DEL ELÉCTRICO/BATERÍA**

REF	PART #	DESCRIPTION	QTY.
1	613030	PANEL, CONTROL HOUSING	1
2	609969	●PLUG, HOUR METER	2
3	069764626	●PLUG, HOLE 012.7	1
4	130161	●PLUG, DOME .850	1
5	130175	●PLUG, DOME .750	1
6	1006264	●BREAKER, CIRCUIT 25AMP	2
7	582150	●PLUG, ACCESSORY SWITCH	2
8	608322	SCREW, M6X1.0X16 TRSPHL	6
9	08712	NUT, M6 NYLOCK	6
10	140000	WASHER, 1/4 FLAT	7
11	606404	●ASM., DIODE W/RING TERM.	3
12	606105	LABEL, DO NOT SPRAY	1
13	605905	●SOLENOID, 24V	3
14	130021	●FLASHER, 24VDC	1
15	606243	TAPE, ACRYLIC 1"X.083'	1
16	130737	●BREAKER, CIRCUIT BRSH 10AMP	1
17	602951	●BREAKER, CIRCUIT 35 AMP	1
18	140829	SCREW, #6-32X1 PANPHL	2
19	140019	WASHER, #6 LOCK	2
20	605387	●CONNECTOR, 50A W/O CNTCTS	1

REF	PART #	DESCRIPTION	QTY.
21	578141000	SCREW, M5X10 PANPHL	2
22	140018	WASHER, #10 INT. LOCK	2
23	130698	BUSHING, SNAP	1
24	602887	BRACKET	1
25	01696	SCREW, 1/4-20X1/2 HXHDCP	2
26	200655017	WASHER, M6 LOCK	2
27	602871	CABLE, BATTERY #6 BLACKX20"	1
28	578427	●STANDOFF	1
29	602872	CABLE, BATTERY #6 REDX28"	1
30	603235	CHARGER, 24DC 20 AMP	1
31	601991	TRAY, BATTERY	1
32	600394	BATTERY, 12V 215A	2
33	130364	●CABLE, BATTERY #6 BLACKX15"	1
34	140539	NUT, #6-32 KEP	2
35	605823	●O-RING .929 ID X .996 OD	1
36	603331	SPACER, CHARGER PLUG	1
37	578009000	GROMMET	2
38	604486	ASM., DIODE SPLICED	1
39	611221	BOOT, BATTERY CABLE BLK	2
40	611222	BOOT, BATTERY CABLE RED	2

- RECOMMENDED STOCK ITEMS / ARTICULOS RECOMENDADOS PARA MANTENER EN EXISTENCIA



**DRIVE GROUP**  
**GRUPO DE TRANMISIÓN**

REF	PART #	DESCRIPTION	QTY.
1	1002604	PLATE, BASE TRANSAXLE	1
2	08713	NUT, M8 HXLCK	2
3	32491	WASHER, 5/16 FLAT	2
4	222027	ARM, HEAD LIFT	2
5	606056	SLEEVE, HEAD ARM	2
6	140287	SCREW, M4X.7X16 PANPHL	2
7	200301014	WASHER, M4 FLAT	2
8	605950	CHAIN, LINK 8"	2
9	02850	NUT, M4 HXLCK	2
10	09291	SCREW, M10X1.5X20 HXHDCP	2
11	140333	WASHER, M10 LOCK	2
12	140028	WASHER, 3/8 FLAT	2
13	612783	SPACER, AXLE	4
14	612784	BRACKET, TRANSAXLE MOUNT	2
15	612255000	SCREW, M10X1.5X35 HXHDCP	4
16	140333	WASHER, M10 SPLIT LOCK	4
17	140028	WASHER, 3/8 FLAT	4

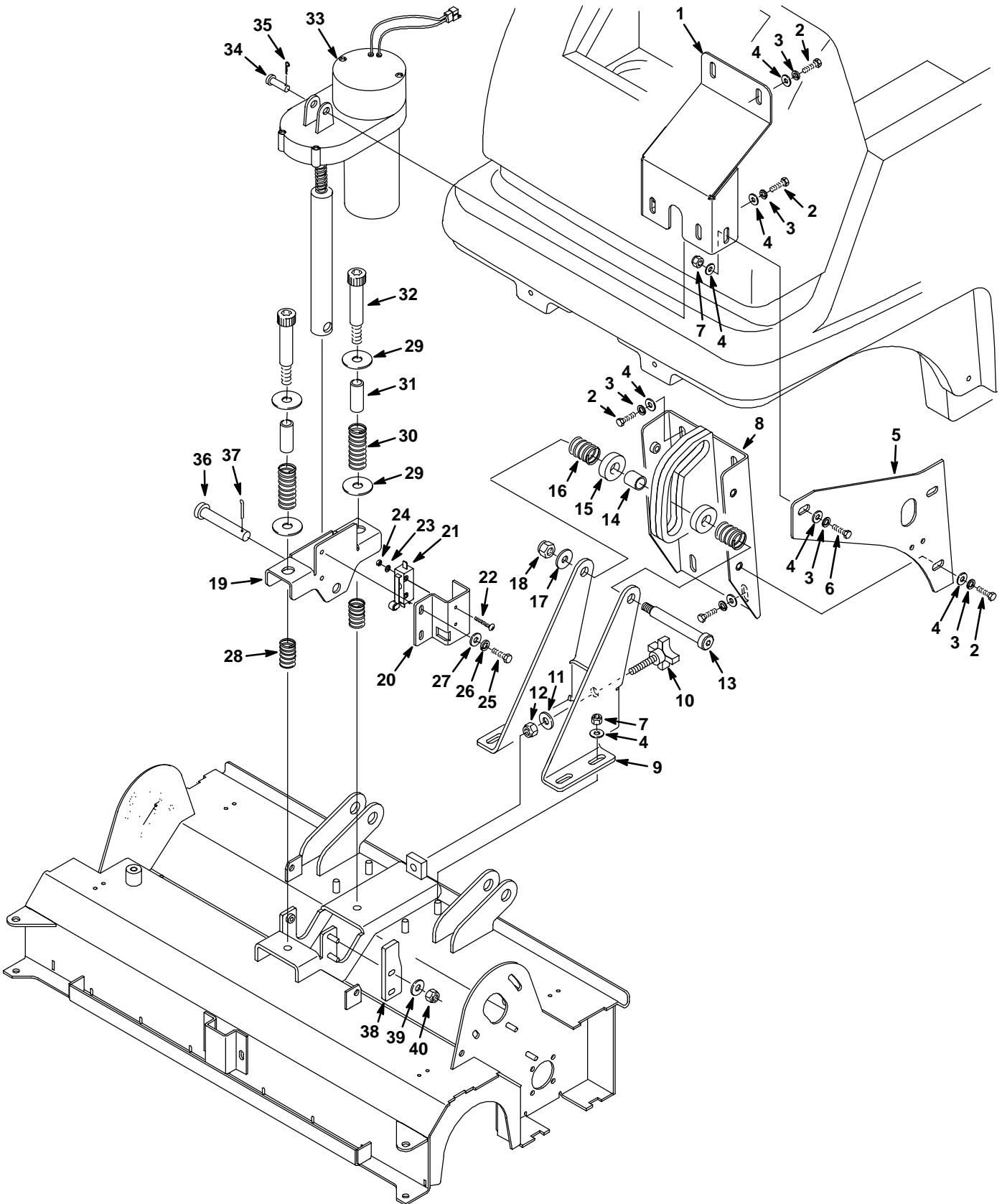
▽ ASSEMBLY / CONJUNTO

▲ INCLUDED IN ASSEMBLY / INCLUIDO EN EL CONJUNTO

● RECOMMENDED STOCK ITEMS / ARTICULOS RECOMENDADOS PARA MANTENER EN EXISTENCIA

REF	PART #	DESCRIPTION	QTY.
18	613026	●WHEEL, NEOPRENE, SOLID	2
	630215	●WHEEL, PNEUMATIC, AIR	2
	600352	●WHEEL, FOAM FILLED	2
	604357	●KIT, PNEUMATIC WHEEL, AIR	1
	604259	●KIT, WHEEL FOAM FILLED	1
19	140000	WASHER, 1/4 FLAT	8
20	41169	NUT, 1/4-20 HXLCK SS	8
▽ 21	612844	TRANSAXLE, 24V MOTOR	1
▲	612873	BODY, TRANSAXLE ONLY	1
▲	612874	COUPLING, NYLON, TRANSAXLE	1
▲	612875	KEY, TRANSAXLE	1
▲▽ 22	612877	●MOTOR, TRANSAXLE	1
▲▲ 23	612883	●BRUSH, CARBON KIT BRUSHES W/CAPS (2/PK)	1
▲ 24	140868	SCREW, 1/4-20X5/8 SHCS	2
▲ 25	32982	WASHER, 1/4 LOCK	2
▲ 26	612879	HUB, WHEEL TRANSAXLE	2
▲ 27	31249	BOLT, #10-24 SHOULDER	2
▲ 28	140552	NUT, #10-24 NYLOCK	2
▲ 29	612880	SLEEVE, TRANSAXLE REPL.	2
▲ 30	613082	COVER, TRANSAXLE	1
▲ 31	577031000	SCREW, #8X1/2 PANPHL	2

SCRUB HEAD ACTUATOR GROUP  
GRUPO ACTUADOR DEL CABEZAL LIMPIADOR



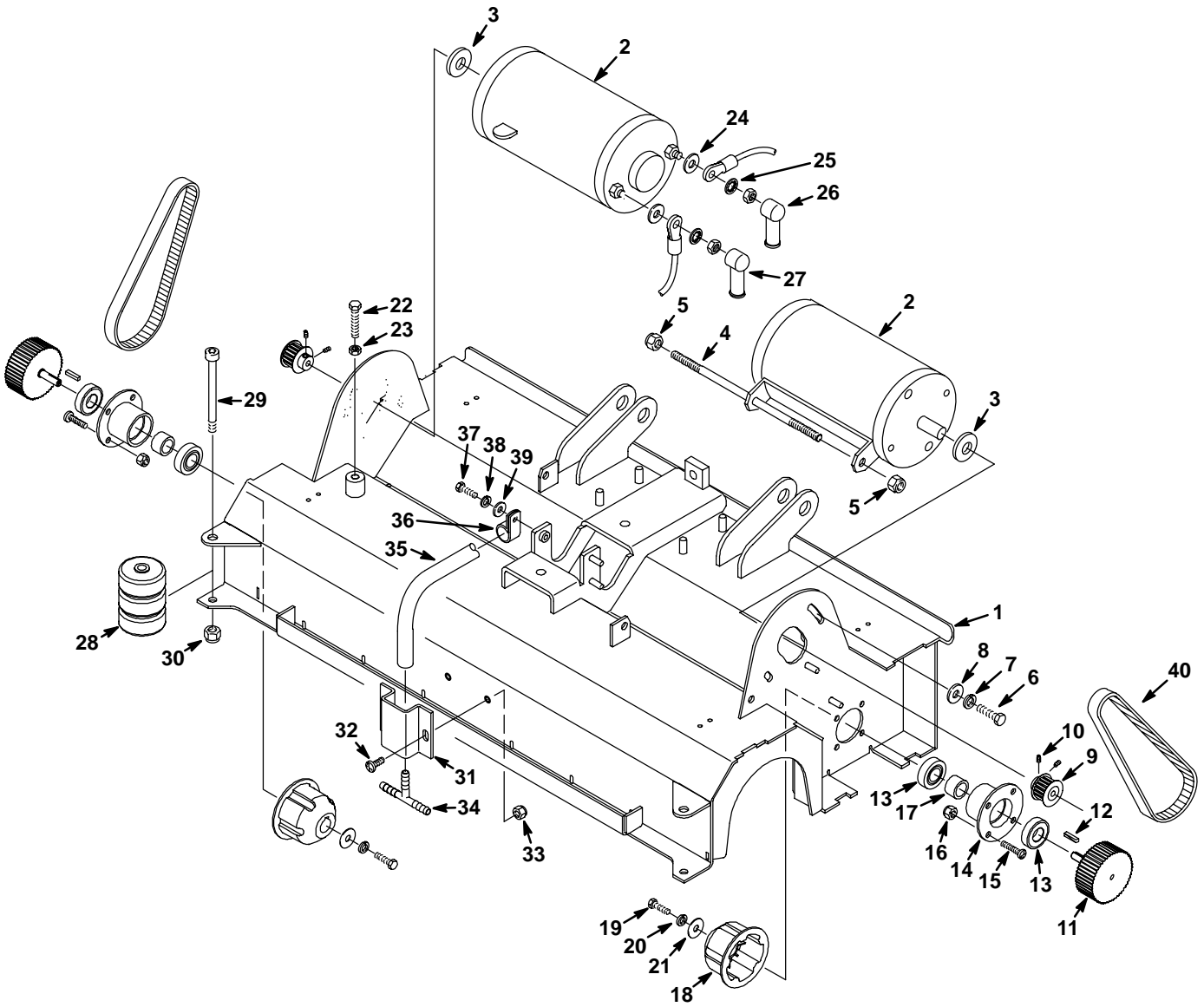
**SCRUB HEAD ACTUATOR GROUP**  
**GRUPO ACTUADOR DEL CABEZAL LIMPIADOR**

REF	PART #	DESCRIPTION	QTY.
1	1002593	BRACKET, ACTUATOR	1
2	578237000	SCREW, M8X1.25X18 HXHDCP	12
3	140015	WASHER, 5/16 LOCK	14
4	140027	WASHER, 5/16 FLAT	20
5	1002594	BRACE, TANK	2
6	200031488	SCREW, M8X1.25X20 HXHDCP	2
7	08713	NUT, M8 NYLCK	6
8	1002592	BRACKET, TRACK, ROLLER	1
9	1002886	BRACKET, ROLLER MTG.	1
10	630046	KNOB	1
11	573047000	WASHER, .39ID X .75OD	1
12	50269	NUT, 3/8-24 HXLCK	1
13	1006263	●BOLT, SHLDR, 3/8-16 X 3.25	1
14	608198	●ROLLER, LINKAGE	1
15	607568	●WASHER, THRUST, 1-1/2 OD	2
16	607920	●SPRING, .72 OD X 1.00 LG	2
17	140046	WASHER, .392ID X 1.00OD	1
18	59156	NUT, 3/8-16 HXLCK	1
19	1002614	BRACKET, SPRING	1
20	1005310	BRACKET, MOUNT, SWITCH	1

REF	PART #	DESCRIPTION	QTY.
21	069764008	●SWITCH, SNAP, ROLLER, 25A	1
22	140829	SCREW, #6-32X1 PANPHL	2
23	140032	WASHER, #6 FLAT	2
24	140539	NUT, #6-32 KEP	2
25	15678	SCREW, M6 X 1 X 16 HXHDCP	2
26	200655017	WASHER, M6 LOCK	2
27	140000	WASHER, 1/4 FLAT	2
28	63185	●SPRING, .84 OD X 2.0 LG	2
29	32486	WASHER, .50 FLAT	4
30	45261	●SPRING, .97 OD X 2.5 LG	2
31	609765	SLEEVE, .50 ID X .63 OD X 1.31 LG	2
32	45960	●SCREW, SHLDR 3/8-16 X 4.25	2
33	1002703	●ACTUATOR	1
34	578202000	●PIN, CLEVIS .38 DIA X 1.50	1
35	140626	●PIN, HITCH	1
36	630448	●PIN, CLEVIS .50 DIA X 2.25	1
37	578421	●PIN, COTTER	1
38	1005329	PLATE, TRIP, SWITCH	1
39	140000	WASHER, 1/4 FLAT	2
40	08712	NUT, M6 NYLOCK	2

● RECOMMENDED STOCK ITEMS / ARTICULOS RECOMENDADOS PARA  
MANTENER EN EXISTENCIA

SCRUB HEAD GROUP  
GRUPO DEL CABEZAL LIMPIADOR



### SCRUB HEAD GROUP GRUPO DEL CABEZAL LIMPIADOR

REF	PART #	DESCRIPTION	QTY.
∇	1002724	HEAD ASSEMBLY, CYL. BRUSH	1
▲	1	1001785 HOUSING, BRUSH WELDMENT	1
▲	2	604980 ●MOTOR, 24V, 1500 RPM, 23 AMP	2
		190152 ●CARBON BRUSH (PKG OF 4)	2
▲	3	630447 ●WASHER, M12.7 NYLON	2
▲	4	76490 ROD, THREADED, M8 X 1.3	2
▲	5	08713 NUT, M8 NYLCK	4
▲	6	15678 SCREW, M6 X 1 X 16 HXHDCP	4
▲	7	200655017 WASHER, M6 LOCK	4
▲	8	140000 WASHER, 1/4 FLAT	4
▲	9	375195 ●SPROCKET, 22-TOOTH	2
▲	10	222818 ●SCREW, SET 8-32 X .25 NYLON	4
▲	11	1006713 ●SPROCKET, 48-TOOTH	2
▲	12	00911 ●KEY, SQUARE, .19 X .19 X .75 LG.	2
▲	13	41360 ●BEARING, BALL, 0.59B 1.26D 0.35W	4
▲	14	1001792 HOUSING, BEARING	2
▲	15	363503 SCREW, M6 X 1.0 X 12 PANHD	8
▲	16	08712 NUT, M6 NYLOCK	8
▲	17	1002077 SPACER, .594ID X .81OD X .5 LG	2
▲	18	378805 PLUG, BRUSH DRIVE	2
▲	19	15678 SCREW, M6 X 1 X 16 HXHDCP	2

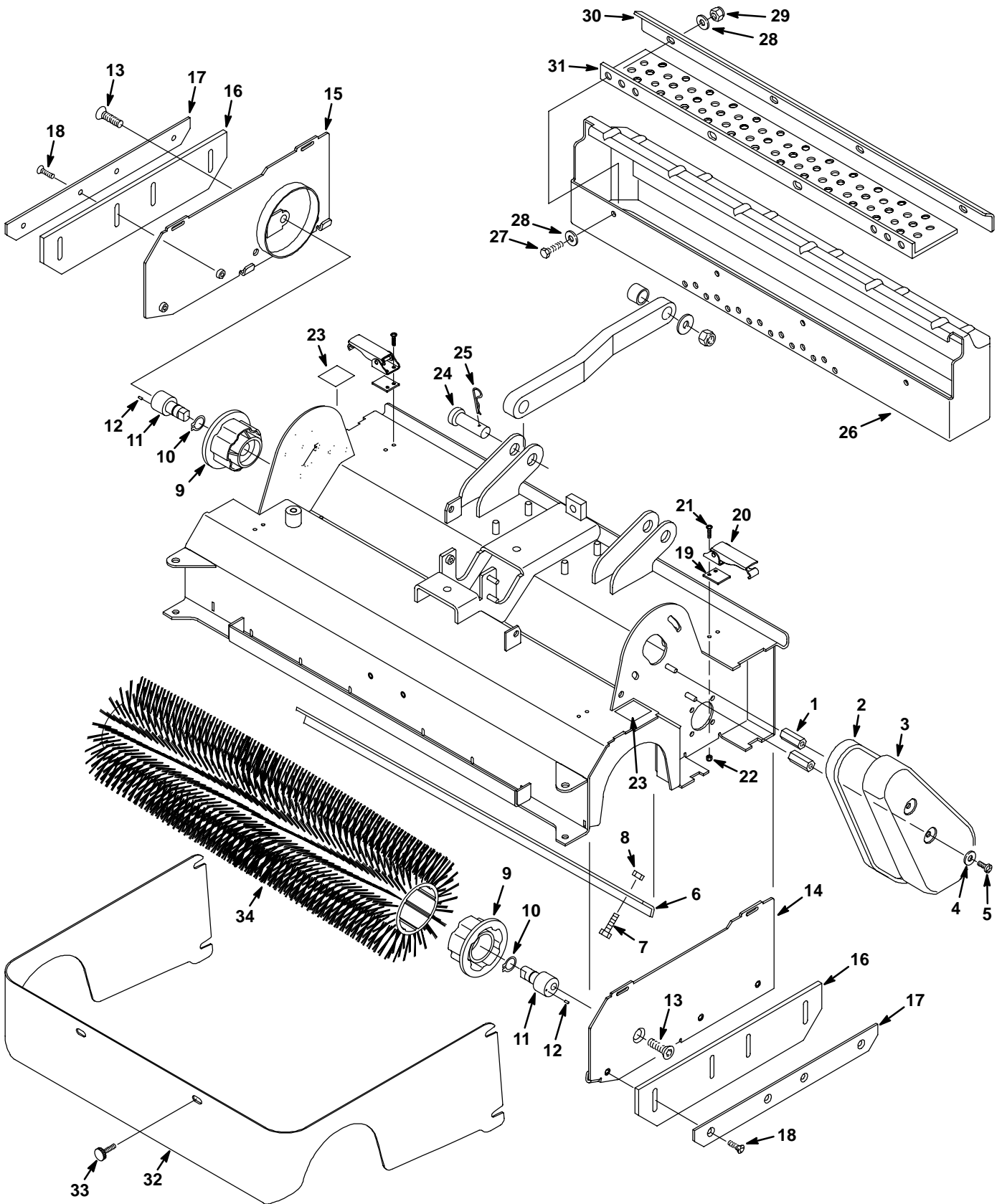
REF	PART #	DESCRIPTION	QTY.
▲	20	200655017 WASHER, M6 LOCK	2
▲	21	01684 WASHER, 1/4 FLAT	2
▲	22	578717 SCREW, M8 X 1.25 X 50, HEXHD	2
▲	23	07786 NUT, M8 HEX	2
▲	24	140027 WASHER, 5/16 FLAT	4
▲	25	200370019 WASHER, M8.4 LOCK	4
▲	26	608963 BOOT, TERMINAL RED	2
▲	27	608964 BOOT, TERMINAL BLACK	2
▲	28	630477 ●WHEEL, 2.0 DIA X .38	6
▲	29	603144 BOLT, SHLDR, 5/16-18 X 3 LG.	2
▲	30	140546 NUT, 5/16-18 NYLCK	2
▲	31	1005496 BRACKET, MOUNT, FITTING	1
▲	32	363503 SCREW, M6 X 1.0 X 12 PANHD	2
▲	33	08712 NUT, M6 NYLOCK	2
▲	34	222536 ●FITTING, BM06/BM06/BM08 TEE	1
▲	35	613531 ●HOSE, 1/2ID X 45 IN.	1
▲	36	140314 CLAMP, CABLE	1
▲	37	15678 SCREW, M6 X 1 X 16 HXHDCP	1
▲	38	200655017 WASHER, M6 LOCK	1
▲	39	140000 WASHER, 1/4 FLAT	1
▲	40	377500 ●BELT, SYNCHRONOUS	2

∇ ASSEMBLY / CONJUNTO

▲ INCLUDED IN ASSEMBLY / INCLUIDO EN EL CONJUNTO

● RECOMMENDED STOCK ITEMS / ARTICULOS RECOMENDADOS PARA MANTENER EN EXISTENCIA

SCRUB HEAD GROUP – CONT.  
GRUPO DEL CABEZAL LIMPIADOR – CONTINUA



**SCRUB HEAD GROUP – CONT.**  
**GRUPO DEL CABEZAL LIMPIADOR – CONTINUA**

REF	PART #	DESCRIPTION	QTY.	
▽	1002724	HEAD ASSEMBLY, CYL. BRUSH, CONT.	1	
▲	1	1002078	SPACER, .50 HEX, 1.25 L, M6 THD.	4
▲	2	1008675	GASKET, FOAM	2
▲	3	1005478	COVER, BELT	2
▲	4	140000	WASHER, 1/4 FLAT	4
▲	5	363503	SCREW, M6 X 1.0 X 12 PANHD	4
▲	6	1008040	DEFLECTOR, DEBRIS	1
▲	7	15678	SCREW, M6 X 1 X 16 HXHDCP	4
▲	8	08712	NUT, M6 NYLOCK	4
▲	9	379202	●PLUG, IDLER, BRUSH	2
▲	10	01516	●RING, RETAINING	2
▲	11	222177	SHAFT, IDLER PLUG	2
▲	12	222184	●PIN, ROLL	2
▲	13	390996	SCREW, M10 X 1.5 X 20 FLTHD	2
▲	14	1001786	PLATE, IDLER, LEFT	1
▲	15	1002096	PLATE, IDLER, RIGHT	1
▲	16	1001789	●SKIRT, SIDE	2
▲	17	1001790	RETAINER, SKIRT, SIDE	2
▲	18	069762098	SCREW, M6 X 1.0 X 16 FLTPHL	8

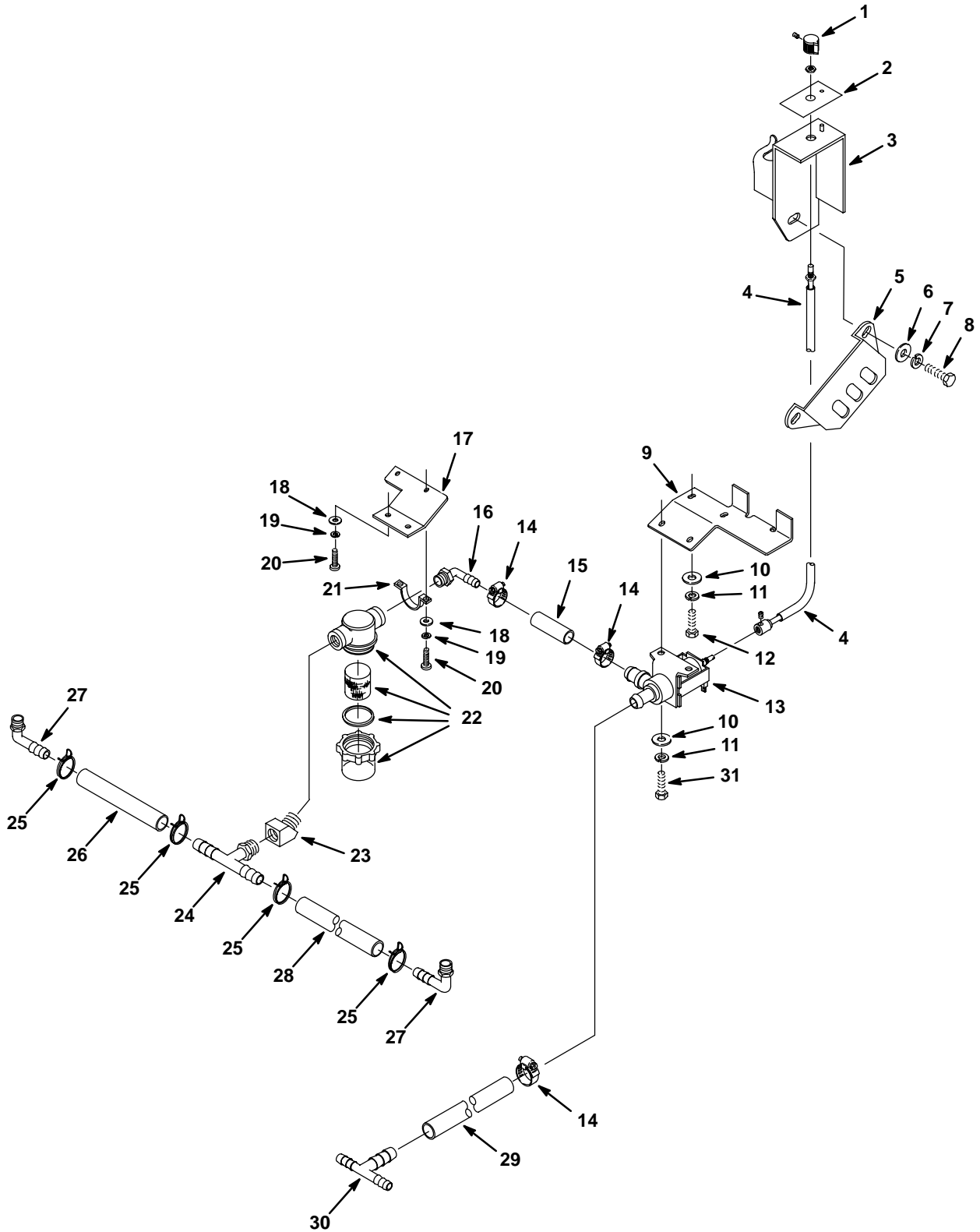
REF	PART #	DESCRIPTION	QTY.	
▲	19	1007696	PLATE, SPACER, LATCH	4
▲	20	1006086	●LATCH	4
▲	21	579237	SCREW, M4 X .7 X 12	8
▲	22	140288	NUT, M4 NYLCK	8
▲	23	578769	LABEL, MOVING PARTS	2
	24	222210	PIN, CLEVIS, .62D X 2.12L	2
	25	02942	PIN, HAIR, COTTER, .62D X .12 WIRE	2
	26	1002658	HOPPER, DEBRIS	1
	27	15678	SCREW, M6 X 1 X 16 HXHDCP	4
	28	140000	WASHER, 1/4 FLAT	8
	29	08712	NUT, M6 NYLOCK	4
	30	1005514	LIP, DEBRIS	1
	31	222669	SKIRT	1
	32	1005476	SHROUD, BRUSH	1
	33	603012	●KNOB	6
	34	399230	●BRUSH, POLY	2
		399229	●BRUSH, SOFT NYLON	2
		399231	●BRUSH, HEAVY DUTY POLY	2
		399232	●BRUSH, ABRASIVE GRIT	2

▽ ASSEMBLY / CONJUNTO

▲ INCLUDED IN ASSEMBLY / INCLUIDO EN EL CONJUNTO

● RECOMMENDED STOCK ITEMS / ARTICULOS RECOMENDADOS PARA MANTENER EN EXISTENCIA

SOLUTION CONTROL GROUP  
CONJUNTO DE PALANCAS SOLUCIÓN



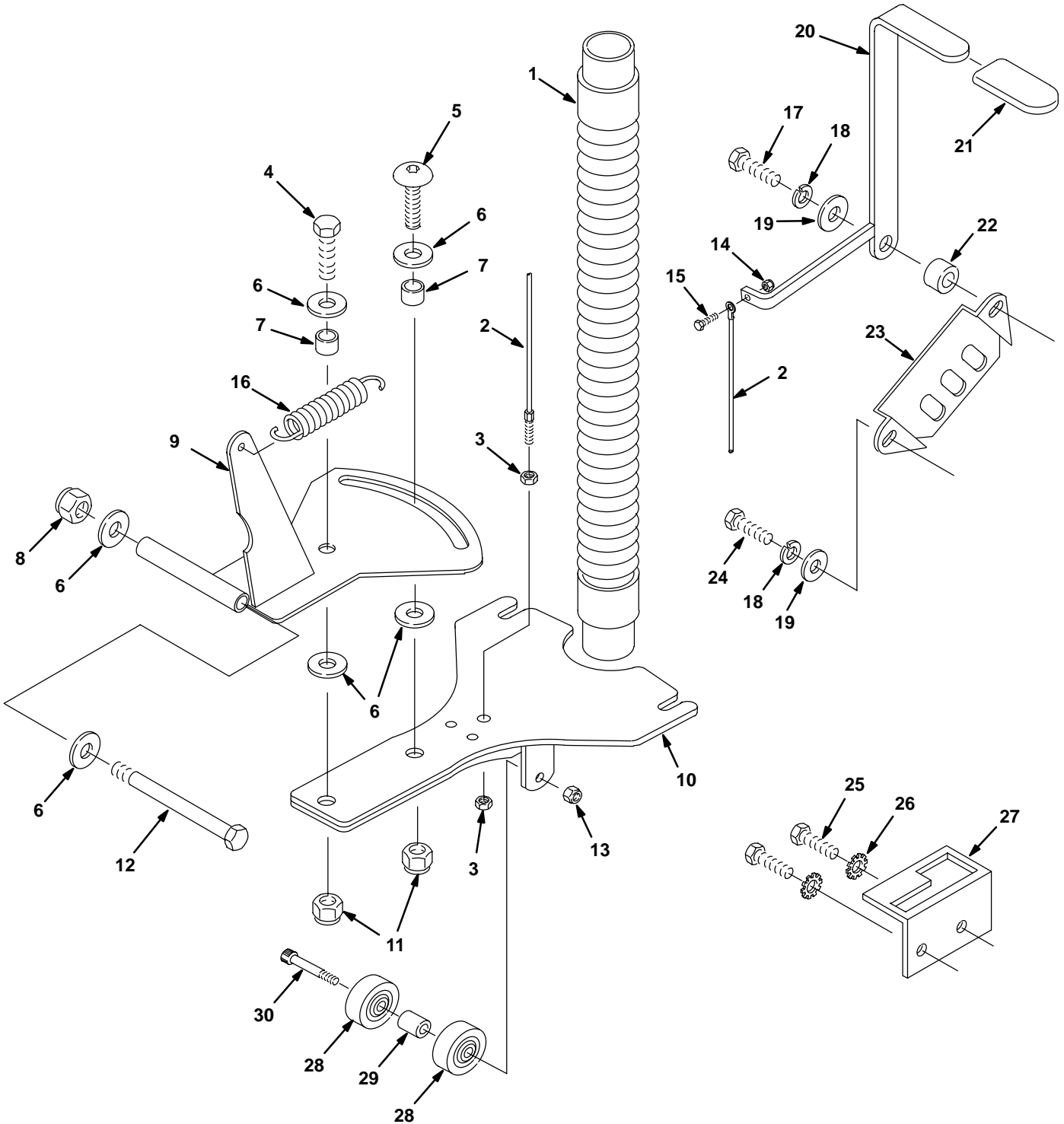
**SOLUTION CONTROL GROUP**  
**CONJUNTO DE PALANCAS SOLUCIÓN**

REF	PART #	DESCRIPTION	QTY.
1	626121	KNOB, WATER VALVE	1
2	612039	LABEL, SOLUTION CONTROL	1
3	1002538	BRACKET, SOLUTION CONTROL	1
4	612497	CABLE, SOL. FLOW CONTROL	1
5	230661	PLATE, LOCK CONTROL HSG.	1
6	140027	WASHER, 5/16 FLAT	2
7	140015	WASHER, 5/16 LOCK	2
8	200031488	SCREW, M8X1.25X20 HXHDCP	2
9	611822	BRACKET, SOLELNOID MOUNT	1
10	140000	WASHER, 1/4 FLAT	4
11	200655017	WASHER, M6 LOCK	4
12	15678	SCREW, M6 X 1 X 16 HXHDCP	2
13	612498	●VALVE, LIQUID DISPENSING	1
14	54333	CLAMP, HOSE	3
15	069760725	HOSE, 1/2ID X 3.25"	1
16	578039000	FITTING, 3/8MX1/2H ELBOW 90	1

REF	PART #	DESCRIPTION	QTY.
17	611820	BRACKET, FILTER BOWL	1
18	575541000	WASHER, M5 FLAT	4
19	200655016	WASHER, M5 LOCK	4
20	609062	SCREW, M5X.8X12 TRSPHL	4
21	605056	BRACKET, FILTER MOUNT	1
22	1005302	●ASM., FILTER BOWL & SCREEN	1
	1005304	SCREEN, FILTER, 80 MESH	1
23	01997	FITTING, BRASS ELBOW 45	1
24	605046	FITTING, 3/8MX1/2HX1/2H TEE	1
25	607776	CLAMP, HOSE 2 WIRE BLK	4
26	606241	HOSE, 1/2IDX6"	1
27	578039000	FITTING, 3/8MX1/2H ELBOW 90	2
28	626204	HOSE, 320MM	1
29	613531	●HOSE, 1/2ID X 45 IN.	1
30	222536	●FITTING, BM06/BM06/BM08 TEE	1
31	200031432	SCREW, M6X1.0X10 HXHDCP	2

● RECOMMENDED STOCK ITEMS / ARTICULOS RECOMENDADOS PARA  
MANTENER EN EXISTENCIA

SQUEEGEE CONTROL GROUP  
CONJUNTO DE PALETA PLANCAS



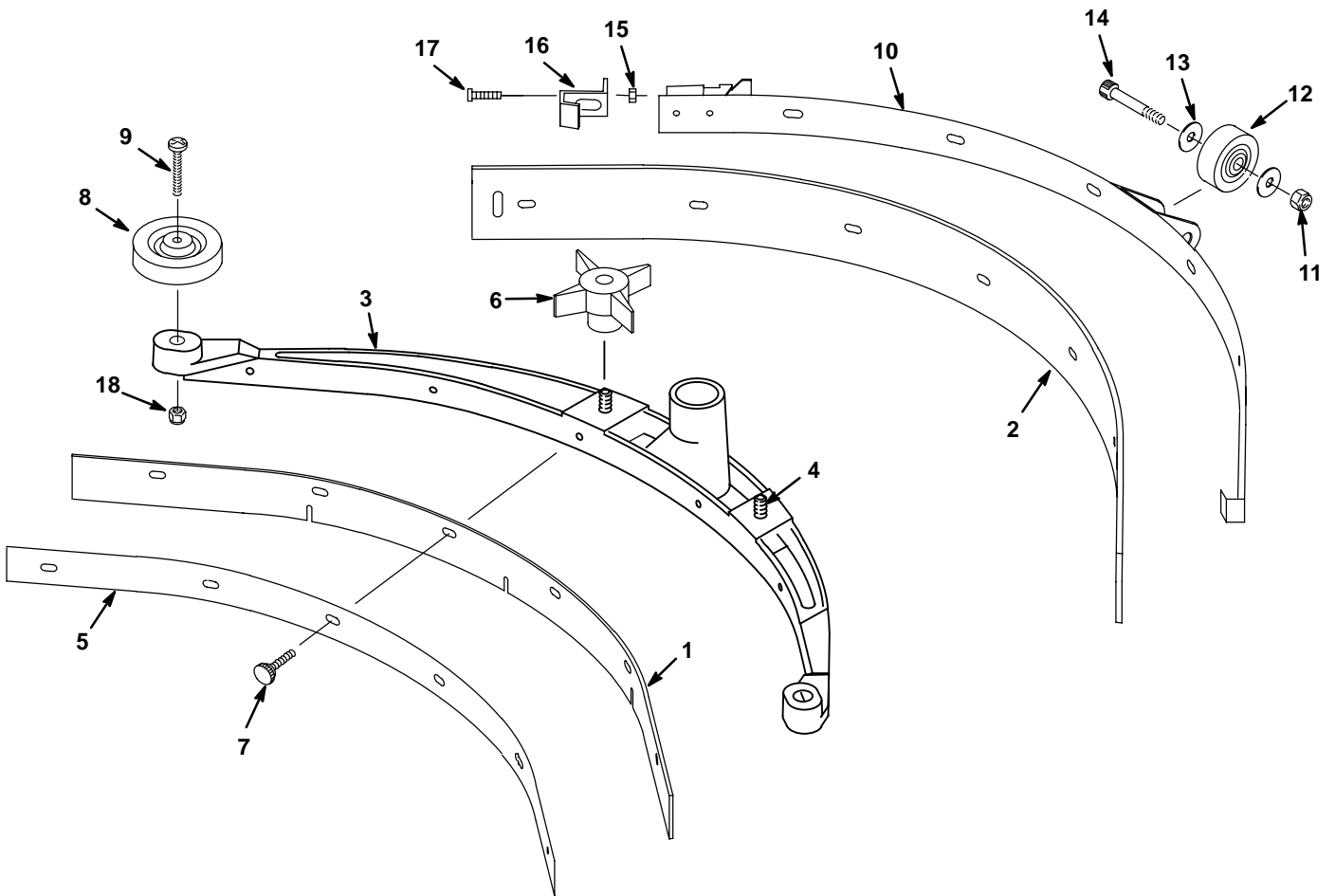
**SQUEEGEE CONTROL GROUP**  
**CONJUNTO DE PALETA PLANCAS**

REF	PART #	DESCRIPTION	QTY.
1	160613	●HOSE, VAC 1.5X30" W/CUFFS	1
2	630156	●CABLE, SQUEEGEE LIFT	1
3	41169	NUT, 1/4-20 NL	2
4	140236	SCREW, 1/2-13X1.25 HXHDCP	1
5	611480	SCREW, 1/2-13X1.25 TRSPHL	1
6	140045	WASHER, 1/2 FLAT	6
7	140139	BUSHING	2
8	02931	NUT, 1/2-13 NYLOCK	1
9	611494	PIVOT MOUNT, SQUEEGEE	1
10	611479	BRACKET, SQUEEGEE MOUNT	1
11	140509	NUT, 1/2-13 JAM	2
12	602981	SCREW, 1/2-13X5-1/2 HXHDCP	1
13	36643	NUT, 3/8-16 HXLK	1
14	08712	NUT, M6 NYLOCK	1
15	15678	SCREW, M6X1.0X16 HXHDCP	1

REF	PART #	DESCRIPTION	QTY.
16	611477	SPRING	1
17	200031496	SCREW, M08X1.25X35	1
18	140015	WASHER, 5/16 LOCK	2
19	140027	WASHER, 5/16 FLAT	2
20	602885	HANDLE, SQUEEGEE LIFT	1
21	200816	●GRIP, HANDLE	1
22	604358	BUSHING SPACER	1
23	230661	PLATE, LOCK CONTROL HSG.	1
24	200031488	SCREW, M8X1.25X20 HXHDCP	1
25	140268	SCREW, M5X.8X12 HXHDCP	2
26	140031	WASHER, #10 LOCK	2
27	230712	PLATE, SQUEEGEE LOCK	1
28	630477	WHEEL, 2" GRAY	2
29	603368	SPACER, NYLON	1
30	603144	SCREW, 3/8X3 SHOULDER	1

- RECOMMENDED STOCK ITEMS / ARTICULOS RECOMENDADOS PARA MANTENER EN EXISTENCIA

SQUEEGEE ASSEMBLY GROUP – 838mm (33 in)  
CONJUNTO PALETA



**SQUEEGEE ASSEMBLY GROUP – 838mm (33 in)**  
**CONJUNTO PALETA**

REF	PART #	DESCRIPTION	QTY.
▽	612025	ASSEMBLY, SQUEEGEE, LINATEX	1
▲▽	606758	●KIT, SQUEEGEE BLADES, LINATEX	1
▲ 1	605030	●BLADE, FRONT SQUEEGEE, LINATEX (RED)	1
▲ 2	605029	●BLADE, REAR SQUEEGEE, LINATEX (RED)	1
1	605032	●BLADE, FRONT SQUEEGEE, URETHANE (WHITE)	1
2	611634	●BLADE, REAR SQUEEGEE, URETHANE (WHITE)	1
▽	606741	ASSEMBLY, SQUEEGEE, GUM RUBBER	1
▲▽	606757	●KIT, SQUEEGEE BLADES, GUM RUBBER	1
▲ 1	605028	●BLADE, FRONT SQUEEGEE, GUM RUBBER (TAN)	1
▲ 2	605027	●BLADE, REAR SQUEEGEE, GUM RUBBER (TAN)	1
▲ 3	611462	CASTING, SQUEEGEE	1

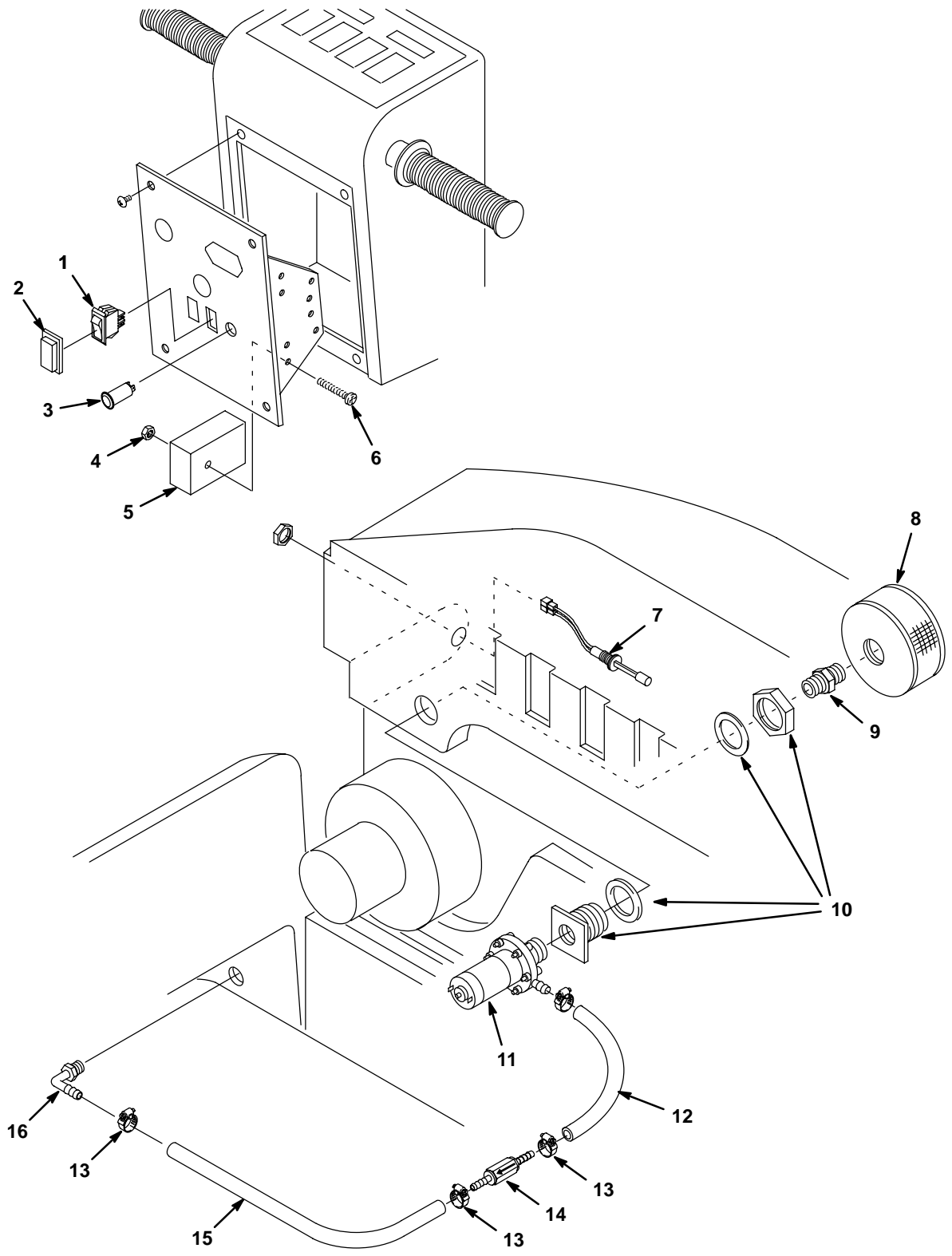
REF	PART #	DESCRIPTION	QTY.
▲ 4	140799	SCREW, 5/16–18X1–1/2 TRSPHL	2
▲ 5	605034	RETAINER, FRONT STRIP	1
▲ 6	370100	●KNOB, 5/16 STAR	2
▲ 7	603012	●KNOB, FRONT SQUEEGEE	6
▲ 8	630450	WHEEL, 76 DIA X 22	2
▲ 9	611489	SCREW, 5/16–18X1–3/4	2
▲ 10	605033	SQUEEGEE, BAND ASM REAR	1
▲ 11	601108000	NUT, 5/16–18 HXLCK	1
▲ 12	630477	●WHEEL	1
▲ 13	140028	WASHER, 3/8 FLAT	2
▲ 14	600187	SCREW, SHOULDER, 3/8 X 1 1/4	1
▲ 15	09739	NUT, M5X.8 NYLOCK	1
▲ 16	605069	CLIP, SQUEEGEE BAND	1
▲ 17	630389	SCREW, 7/8X45 PANPHL M5	1
▲ 18	140506	NUT, 5/16–18	2

▽ ASSEMBLY / CONJUNTO

▲ INCLUDED IN ASSEMBLY / INCLUIDO EN EL CONJUNTO

● RECOMMENDED STOCK ITEMS / ARTICULOS RECOMENDADOS PARA MANTENER EN EXISTENCIA

ES™ KIT  
ES™ JUEGO



**ES™ KIT  
ES™ JUEGO**

REF	PART #	DESCRIPTION	QTY.
▽	604780	●KIT, ES™	1
▲ 1	630419	●SWITCH, ROCKER	1
▲ 2	578720	●SPLASHGUARD, RCKR SWITCH	1
▲ 3	130738	●LIGHT, INDICATOR GREEN	1
▲ 4	140283	NUT	1
▲ 5	630145	●TIMER, 24VDC, RANGE:30SEC	1
▲ 6	578008000	SCREW	1
▲ 7	603166	●SWITCH, LIQUID LEVEL W/NUT	1
▲ 8	630138	●FILTER, SCREEN	1
▲ 9	630385	FITTING, 3/4M NIPPLE	1

REF	PART #	DESCRIPTION	QTY.
▲ 10	601490	FITTING, 3/4NPT BULKHEAD	1
▲ 11	630136	●PUMP, SOLUTION 24VDC	1
▲ 12	605282	TUBING, 5/8X.5'	1
▲ 13	140310	CLAMP, HOSE	4
▲ 14	210044	●VALVE, CHECK	1
▲ 15	605282	TUBING, 5/8X1.25'	1
▲ 16	150415	FITTING, ELBOW 90°	1
▲N/S	604787	HARNESS, WIRE ES™	1
▲N/S	630440	DECAL, REMOVE FILTER	1

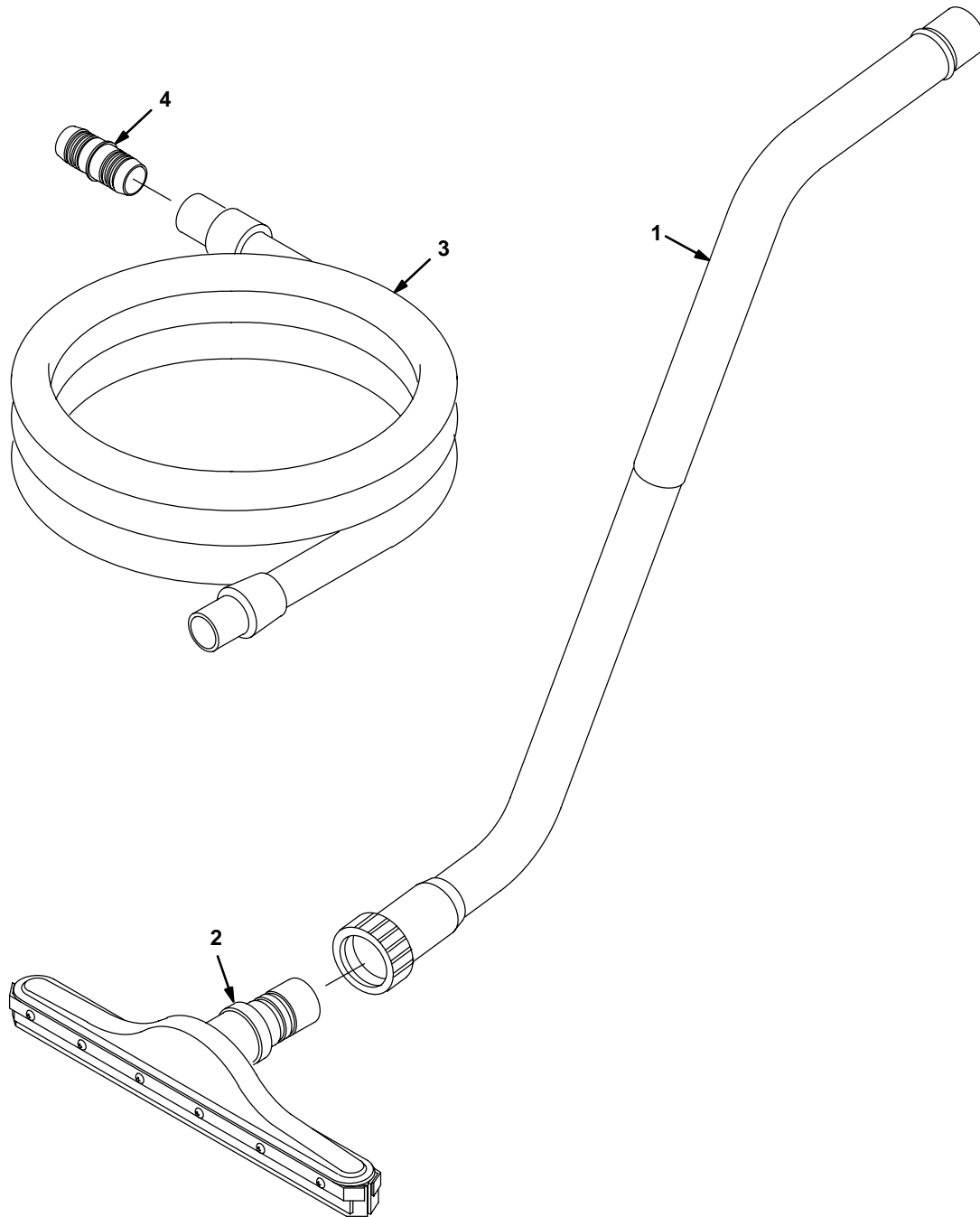
▽ ASSEMBLY / CONJUNTO

▲ INCLUDED IN ASSEMBLY / INCLUIDO EN EL CONJUNTO

● RECOMMENDED STOCK ITEMS / ARTICULOS RECOMENDADOS

N/S = NOT SHOWN

**SQUEEGEE WAND ASSEMBLY  
GROUPE D'ASPIRATION ET RACLETTE À MAIN**



REF	PART #	DESCRIPTION	QTY.
▽	190928	●ASM, WAND DOUBLE BEND	1
▲ 1	6108.1	WAND, DOUBLE BEND	1
▲ 2	13840	SQUEEGEE ASM PUSH/PULL	1

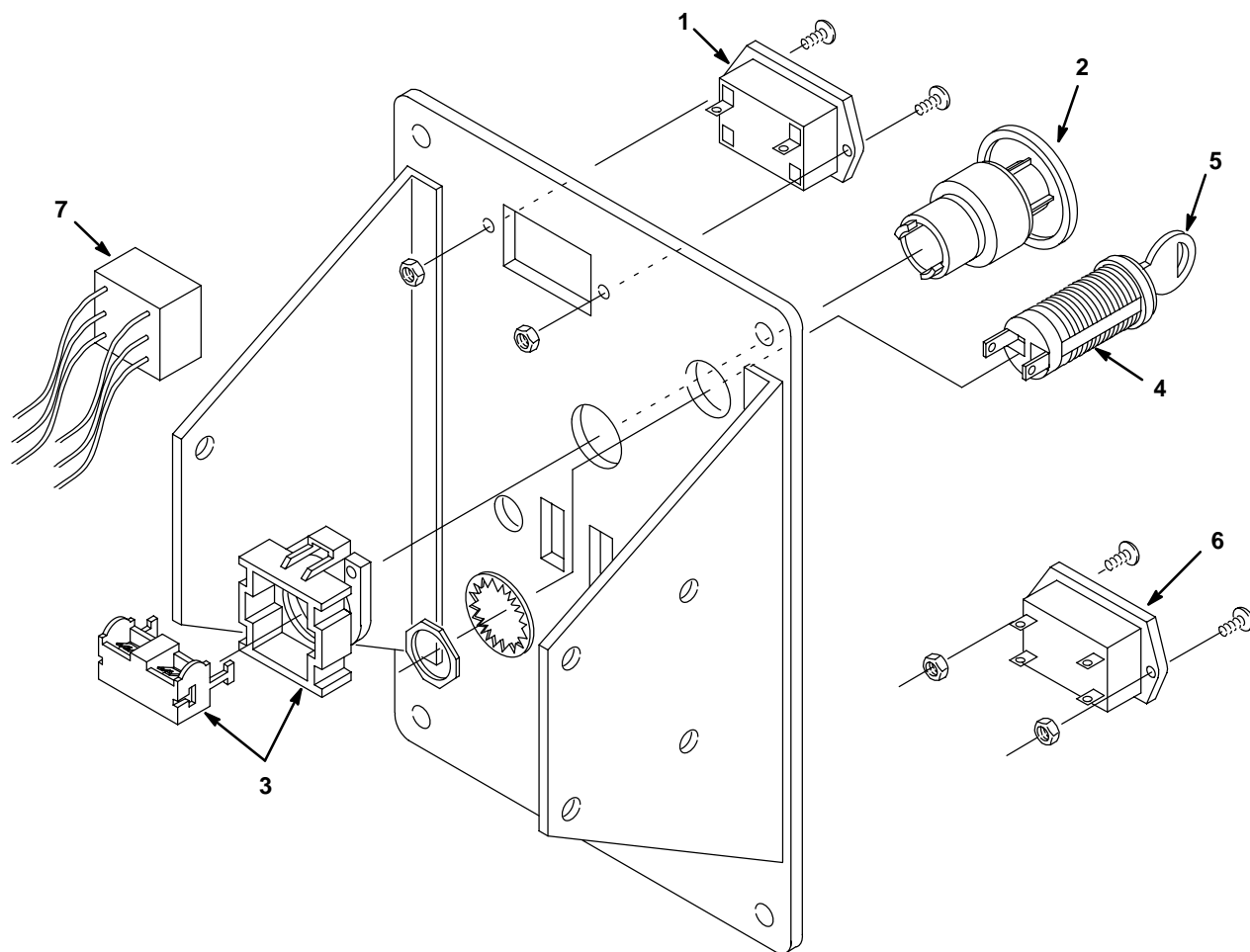
REF	PART #	DESCRIPTION	QTY.
▲ 3	160481	●HOSE, VAC 1-1/2X10'	1
▲ 4	160451	CONNECTOR, VAC HOSE	1

▽ ASSEMBLY / CONJUNTO

▲ INCLUDED IN ASSEMBLY / INCLUIDO EN EL CONJUNTO

● RECOMMENDED STOCK ITEMS / ARTICULOS RECOMENDADOS

**HOUR METER, EMERGENCY STOP, KEYSWITCH AND LOW VOLTAGE KITS  
MEDIDOR DE HORA, BOTÓN DE EMERGENCIA, INTERRUPTOR DE LLAVE,  
HERRAMIENTAS DE BAJO VOLTAGE**



REF	PART #	DESCRIPTION	QTY.
▽	602999	●KIT, HOUR METER	1
▲ 1	630143	●METER, HOUR	1
▲ N/S	603000	ASM., WIRE #18X5" BLU	1
▲ N/S	603004	ASM WIRE #18X5" BLK	1
▽	602995	●KIT, EMERGENCY STOP	1
▲ 2	630100	●SWITCH, EMERGENCY STOP BUTTON	1
▲ 3	630097	●SWITCH, CONTACT BLOCK	1
▲ N/S	602996	ASM, WIRE #16X5" RED 1/4FX1/4F	1
▲ N/S	602997	ASM, WIRE #16X5" RED 1/4MX1/4F	1

REF	PART #	DESCRIPTION	QTY.
▽	602993	●KIT, KEYSWITCH	1
▲▽ 4	612462	●SWITCH, KEY	1
▲ 5	607821	●KEY, REPLACEMENT	1
▽	603074	●KIT, LOW VOLTAGE CUTOFF	1
▲ 6	603076	●GAUGE, BATTERY 24V	1
▲ 7	603314	ASM., RELAY LOW VLTGE CUTOFF	1
▲N/S	603078	ASM., WIRE #18X9" GRN	1
▲N/S	603080	ASM., WIRE #18X8" BLK	1
▲N/S	603081	ASM., WIRE #18X12" RED	1
▲N/S	130040	WIRE TIE	1

▽ ASSEMBLY / CONJUNTO

▲ INCLUDED IN ASSEMBLY / INCLUIDO EN EL CONJUNTO

● RECOMMENDED STOCK ITEMS / ARTICULOS RECOMENDADOS PARA  
MANTENER EN EXISTENCIA