

DESIGNER 7 WET/DRY VACUUM

IMPORTANT SAFETY INSTRUCTIONS



**READ AND UNDERSTAND ALL INSTRUCTIONS
BEFORE OPERATING OR SERVICING MACHINE**



THIS MACHINE IS INTENDED FOR COMMERCIAL USE ONLY

DANGER!

**Failure to Observe These Instructions Can Cause Fire, Electrical Burn,
Shock or Electrocutation To Machine Operator or By-Standers.**

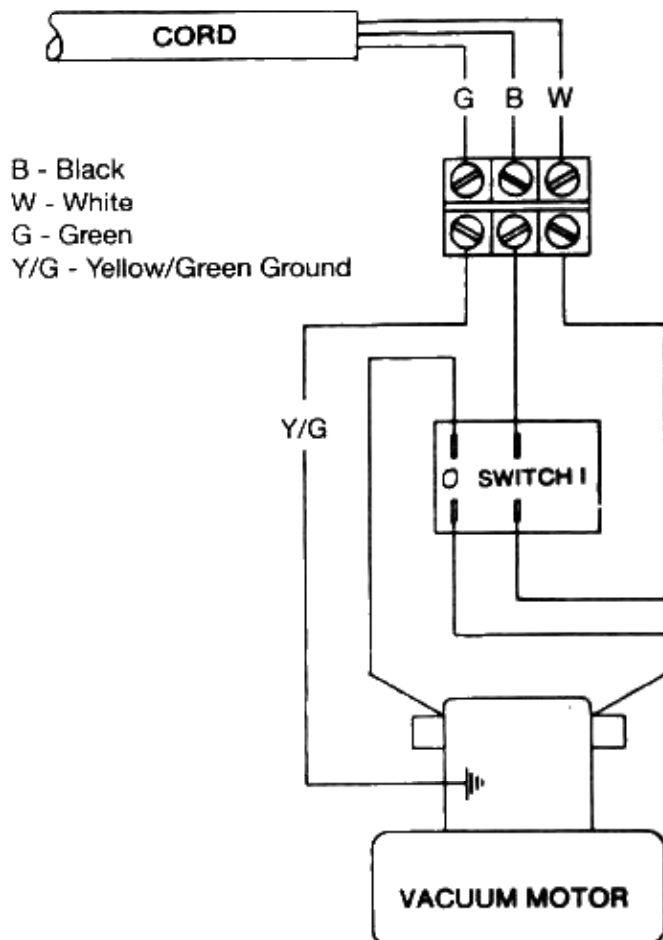
- When using an electrical appliance, basic precautions should always be followed, including the following:
- **NEVER** attempt to operate machine unless you have been trained in its operation.
- **NEVER** allow an untrained person to operate this machine.
- Use this machine **ONLY** as described in this manual.
- **NEVER** operate machine with a damaged, broken, cut, abraded, or taped cord or plug.
- **ALWAYS** connect machine to a properly grounded electrical outlet. See the following pages for grounding instructions and wiring diagram.
- **NEVER** leave machine unattended when plugged in. Unplug machine from electrical outlet when not in use and before attempting repairs or maintenance.
- **ALWAYS** turn machine OFF before unplugging from electrical outlet.
- **NEVER** operate machine in the presence of flammable or combustible liquids, such as gasoline, fumes or dusts.
- **NEVER** attempt to pick up flammable or combustible liquids, such as gasoline, fumes or dusts.
- **NEVER** handle machine, cord or plug with wet hands.
- **NEVER** drop or insert any object into any machine opening.
- **ALWAYS** keep face, fingers, hair or any body part, or loose clothing away from any machine opening or moving part.
- **NEVER** pick up anything that is burning or smoking, such as cigarettes, matches or hot ashes.
- **ALWAYS** use extreme care when cleaning on stairs or when machine is placed on stairs.
- **NEVER** operate machine if it is not working properly, if it has been dropped, damaged, exposed to weather, or dropped into water. Return machine to service center for examination and repair.
- **NEVER** operate machine with any air opening blocked. Keep all air openings free of dust, lint, hair and the like.
- **NEVER** operate machine without dustbag and/or filters in place.
- **DO NOT** pull or carry machine by electrical supply cord, use cord as a handle, close door on cord, pull cord around sharp edges or corners, expose to heated surfaces, or set heavy or sharp objects on cord.
- **NEVER** disconnect plug by pulling on cord. To disconnect from outlet, grasp the plug, not the cord.
- **DO NOT** allow to be used as a toy. Close attention is necessary when used by or near children.
- **DO NOT** expose to rain—STORE INDOORS.

SAVE THESE INSTRUCTIONS



DANGER! DO NOT ATTEMPT MAINTENANCE OR REPAIRS BEFORE DISCONNECTING CORD FROM ELECTRICAL POWER SOURCE. READ ALL INSTRUCTIONS AND FOLLOW ALL ILLUSTRATIONS CAREFULLY.

DESIGNER 7 WIRING DIAGRAM



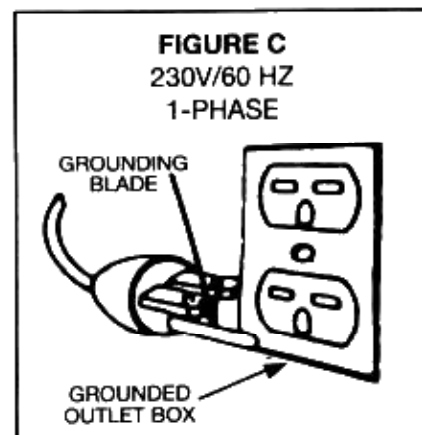
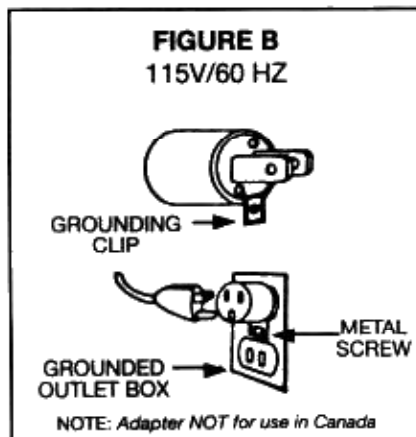
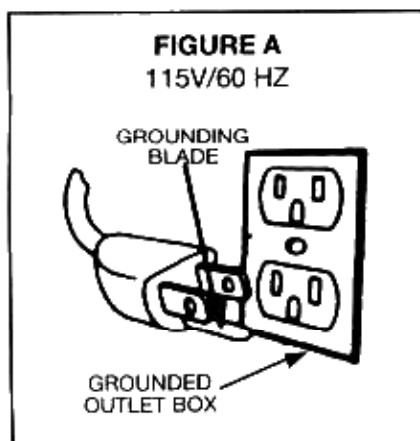
GROUNDING INSTRUCTIONS

This machine must be grounded. If it should malfunction or break down, grounding provides a path of least resistance for electric current to reduce the risk of electric shock. This machine is equipped with a cord having an equipment-grounding conductor and grounding plug. The plug must be plugged into an appropriate outlet that is properly installed and grounded in accordance with all local codes and ordinances.

DANGER:

Improper connection of the equipment-grounding conductor can result in a risk of electric shock. Check with a qualified electrician or service person if you are in doubt as to whether the outlet is properly grounded. Do not modify the plug provided with the machine - if it will not fit the outlet, have a proper outlet installed by a qualified electrician.

Always use a properly grounded 3-wire extension cord which has male and female plugs. Use only 16-3 ST or SO type extension cords for a total cord length up to 75 feet.



This machine is for use on a nominal 120-volt circuit, and has a grounding plug that looks like the plug illustrated in Fig. A. A temporary adapter that looks like the adapter illustrated in Fig. B may be used to connect this plug to a 2-pole receptacle as shown in Fig. B if a properly grounded outlet is not available. The temporary adapter should be used only until a properly grounded outlet can be installed by a qualified electrician. Whenever the adapter is used, it must be held in place by a METAL screw.

**DESIGNER 7 WET-DRY VACUUM
POWERHEAD ASSEMBLY
(Square Container Only)**

<u>ITEM NUMBER</u>	<u>PART NUMBER</u>	<u>DESCRIPTION</u>	<u>QUANTITY</u>
100	57-148-1	Lift handle assembly	1
101	57-163-1	3.9 x 19 Self tap screw	2
102	57-104-1	Cord clamp	1
103	57-101-1	Motor top cover	1
104	57-400-1	Cord, 50 ft.(15.2m), 16-3 SJTW	1
105	57-102-1	Cord strain relief, rubber	1
106	57-105-1	5.0 x 14 Self tap screw	4
107	57-201-1	Lower cover	1
108	57-202-1	Motor holding ring	1
109	57-203-1	Top motor gasket	1
110	57-401-1	Motor spacing ring	1
111	57-108-1	Motor seal gasket	1
112	02-643-9	Vacuum motor, 115 volt	1
	02-645-9	Vacuum motor, 240 volt	1
113	57-108-1	Motor seal gasket	1
114	57-402-1	Filter strip	
115	57-403-1	Foam silencer	1
116	57-115-1	Silencer disc	1
117	57-404-1	Felt filter	1
118	57-405-1	Lid	1
119	57-406-1	Lid gasket	1
120	57-255-1	4.0 x 8.0 Screw UNI	1
121	57-265-1	4.0 Kep nut	1
122	57-256-1	4.8 x 19 Screw UNI	4
123	57-105-1	5.0 x 14 Self tap screw	2
124	57-141-1	Switch, on - off	1
125	57-260-1	5.0 x 23 Self tap screw	6
126	57-145-1	5.0 x 30 Self tap screw	4
127	57-143-1	Terminal block	1

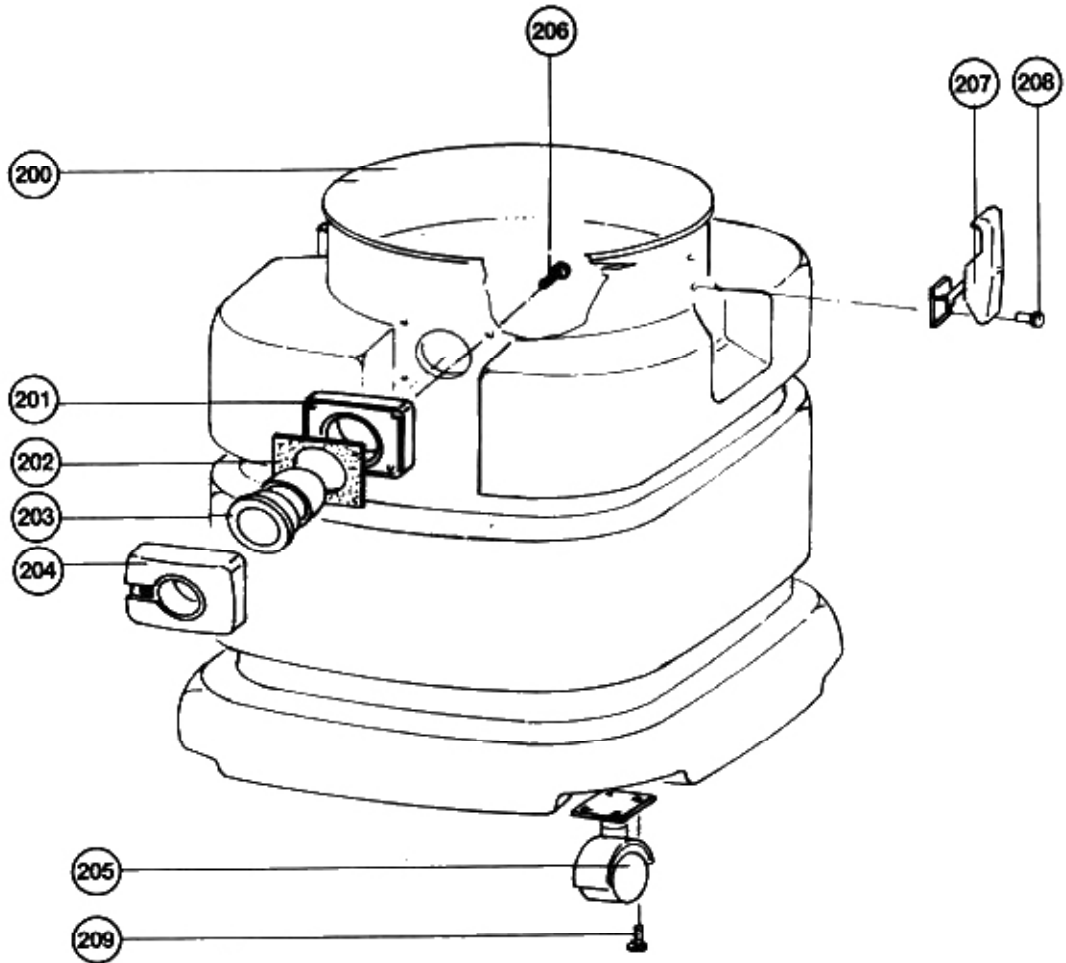
**DESIGNER 7 WET-DRY VACUUM
CONTAINER ASSEMBLY**

<u>ITEM NUMBER</u>	<u>PART NUMBER</u>	<u>DESCRIPTION</u>	<u>QUANTITY</u>
200	57-600-1	Container, square, Designer7	1
201	57-601-1	Intake support	1
202	57-602-1	Intake gasket	1
203	57-338-1	Intake deflector	1
204	57-603-1	Intake, plastic	1
205	57-604-1	Swivel caster	4
206	57-263-1	5.0 x 35 Self tap screw	4
207	57-142-1	Lid clamp	2
208	57-267-1	Lid clamp rivet	4
209	57-258-1	4.0 x 15 Selftap screw	16

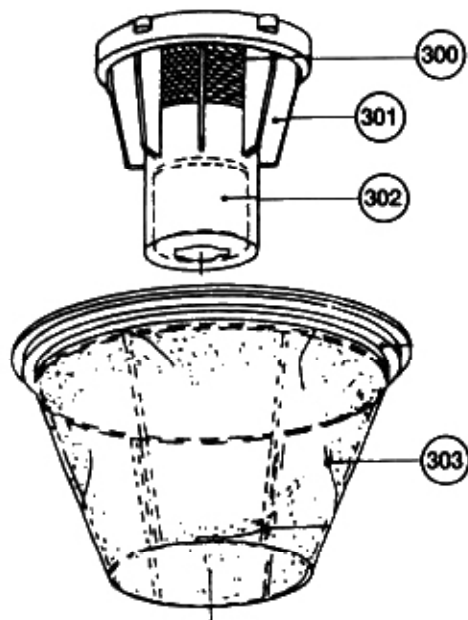
**DESIGNER 7 WET-DRY VACUUM
FILTER ASSEMBLY**

<u>ITEM NUMBER</u>	<u>PART NUMBER</u>	<u>DESCRIPTION</u>	<u>QUANTITY</u>
300	57-501-1	Float screen	1
301	57-218-1	Float housing	1
302	57-219-1	Float	1
303	57-500-1	Filter assembly (synthetic bag)	1

DESIGNER 7 WET-DRY VACUUM CONTAINER ASSEMBLY



DESIGNER 7 WET-DRY VACUUM FILTER ASSEMBLY





THE NATIONAL SUPER SERVICE COMPANY

3115 FRENCHMENS ROAD, TOLEDO, OHIO 43607-2958

PHONE (419) 531-2121 • FAX (419) 531-3761