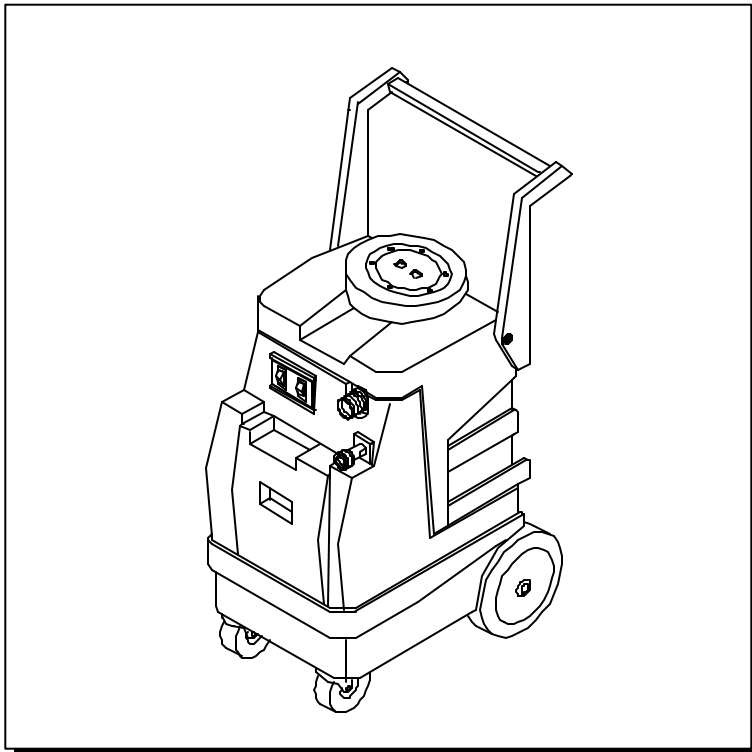


# Cherokee

## **PORTABLE EXTRACTOR**

Operating Instructions



**MODELS:** CHK  
CHKI

---

*Read these instructions before using the machine*

**N**

## **MACHINE DATA LOG/OVERVIEW**

|                         |       |
|-------------------------|-------|
| MODEL                   | _____ |
| DATE OF PURCHASE        | _____ |
| SERIAL NUMBER           | _____ |
| SALES REPRESENTATIVE #  | _____ |
| DEALER NAME             | _____ |
| OPERATIONS GUIDE NUMBER | _____ |
| PUBLISHED               | _____ |

|                    |       |
|--------------------|-------|
| <b>YOUR DEALER</b> |       |
| Name:              | _____ |
| Address:           | _____ |
| Phone Number:      | _____ |

### **OVERVIEW**

This electric powered carpet extractors intended for commercial use. This appliance applies a cleaning solution to the carpet and then vacuums the soiled water back into the recovery tank.

# TABLE OF CONTENTS

|  |   |
|--|---|
| <i>Machine Data Log/Overview</i> ..... | 1 |
| <i>Table of Contents</i> .....         | 2 |

## HOW TO USE THIS MANUAL

|                                     |     |
|-------------------------------------|-----|
| <i>How to use this Manual</i> ..... | 1-1 |
|-------------------------------------|-----|

## SAFETY

|  |     |
|--|-----|
| <i>Important Safety Instructions</i> ..... | 2-1 |
| <i>Hazard Intensity Level</i> .....        | 2-2 |
| <i>Safety Label Location</i> .....         | 2-3 |
| <i>Grounding Instructions</i> .....        | 2-4 |

## OPERATIONS

|  |     |
|--|-----|
| <i>Technical Specifications</i> .....      | 3-1 |
| <i>Controls</i> .....                      | 3-2 |
| <i>Machine Operation</i> .....             | 3-3 |
| <i>Pre-Run Machine Inspection</i> .....    | 3-3 |
| <i>Equipment Set-up</i> .....              | 3-3 |
| <i>Emptying &amp; Cleaning Tanks</i> ..... | 3-3 |

## MAINTENANCE

|  |     |
|--|-----|
| <i>Daily Maintenance</i> .....         | 4-1 |
| <i>Periodic Maintenance</i> .....      | 4-1 |
| <i>Monthly Maintenance</i> .....       | 4-1 |
| <i>Semi-annually</i> .....             | 4-1 |
| <i>Lubrication</i> .....               | 4-1 |
| <i>Storage</i> .....                   | 4-1 |
| <i>Vacuum Motor Replacement</i> .....  | 4-2 |
| <i>Solution Pump Replacement</i> ..... | 4-2 |
| <i>Pump Replacement Kit</i> .....      | 4-3 |
| <i>Machine Troubleshooting</i> .....   | 4-4 |

## GROUP PARTS LIST

|                                    |      |
|------------------------------------|------|
| <i>Pump Group</i> .....            | 5-1  |
| <i>Recovery Tank Group</i> .....   | 5-3  |
| <i>Solution Tank Group</i> .....   | 5-5  |
| <i>Vacuum Motor Group</i> .....    | 5-7  |
| <i>Wiring Group (115V)</i> .....   | 5-9  |
| <i>Wiring Group (220V)</i> .....   | 5-10 |
| <i>Suggested Spare Parts</i> ..... | 5-11 |
| <i>Notes</i> .....                 | 5-12 |
| <i>EC declaration</i> .....        | 5-13 |
| <i>Warranty</i> .....              | 5-14 |

# HOW TO USE THIS MANUAL

This manual contains the following sections:

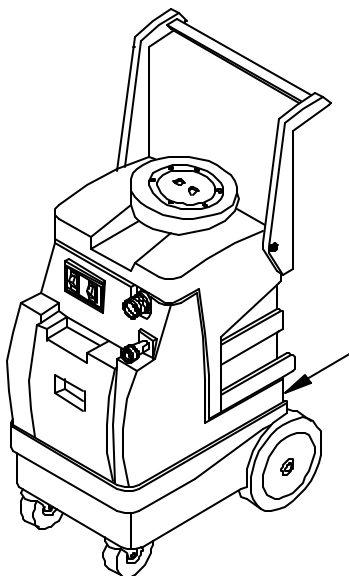
- HOW TO USE THIS MANUAL
- SAFETY
- OPERATIONS
- MAINTENANCE
- PARTS LIST

The HOW TO USE THIS MANUAL section will tell you how to find important information for ordering correct repair parts.

Parts may be ordered from authorized dealers. When placing an order for parts, the machine model and machine serial number are important. Refer to the MACHINE DATA box which is filled out during the installation of your machine. The MACHINE DATA box is located on the inside of the front cover of this manual.

|                               |
|-------------------------------|
| MODEL _____                   |
| DATE OF PURCHASE _____        |
| SERIAL NUMBER _____           |
| SALES REPRESENTATIVE # _____  |
| DEALER NAME _____             |
| OPERATIONS GUIDE NUMBER _____ |
| PUBLISHED _____               |

The model and serial number of your machine is on the front of the Access Panel.



The SAFETY section contains important information regarding hazard or unsafe practices of the machine. Levels of hazards are identified that could result in product or personal injury, or severe injury resulting in death.

The OPERATIONS section is to familiarize the operator with the operation and function of the machine.

The MAINTENANCE section contains preventive maintenance to keep the machine and its components in good working condition. They are listed in this general order:

- Maintenance
- Lubrication
- Vacuum Motor Replacement
- Solution Pump Replacement
- Troubleshooting

The PARTS LIST section contains assembled parts illustrations and corresponding parts list. The parts lists include a number of columns of information:

- **REF** – column refers to the reference number on the parts illustration.
- **PART NO.** – column lists the part number for the part.
- **QTY** – column lists the quantity of the part used in that area of the machine.
- **DESCRIPTION** – column is a brief description of the part.
- **SERIAL NO. FROM** – column indicates the first machine the part number is applicable to. When the machine design has changed, this column will indicate serial number of applicable machine. The main illustration shows the most current design of the machine. The boxed illustrations show older designs.
- **NOTES** – column for information not noted by the other columns.

*NOTE: If a service or option kit is installed on your machine, be sure to keep the KIT INSTRUCTIONS which came with the kit. It contains replacement parts numbers needed for ordering future parts.*

## IMPORTANT SAFETY INSTRUCTIONS

**When using an electrical appliance, basic precaution must always be followed, including the following:**

**READ ALL INSTRUCTIONS BEFORE USING THIS MACHINE.**

**This machine is for commercial use.**



### **WARNING:**

**To reduce the risk of fire, electric shock, or injury:**

Connect to a **properly grounded outlet**. See Grounding Instructions.

**Do not** leave the machine unattended. Unplug machine from outlet when not in use and before maintenance or service.

**Use only** indoors. Do not use outdoors or expose to rain.

**Do not** allow machine to be used as a toy. **Close attention** is necessary when used by or near children.

**Use only** as described in this manual. Use only manufacturer's recommended components and attachments.

**Do not** use damaged electrical cord or plug. Follow all instructions in this manual concerning grounding the machine. If the machine is **not working properly**, has been dropped, damaged, left outdoors, or dropped into water, return it to an authorized service center.

**Do not** pull or carry machine by electrical cord, use as a handle, close a door on cord, or pull cord around sharp edges or corners.

**Do not** run machine over cord. **Keep** cord away from heated surfaces.

**Do not** unplug machine by pulling on cord. To unplug, grasp the electrical plug, not the electrical cord.

**Do not** handle the electrical plug or machine with wet hands.

**Do not** operate the machine with any openings blocked. Keep openings free of debris that may reduce airflow.

This machine is intended for cleaning carpet only.

**Do not** vacuum anything that is burning or smoking, such as cigarettes, matches, or hot ashes.

This machine is not suitable for picking up health endangering dust.

Turn off all controls before unplugging.

**Machine can cause a fire** when operating near flammable vapors or materials. Do not operate this machine near flammable fluids, dust or vapors.

**This machine is suitable for commercial use, for example in hotels, schools, hospitals, factories, shops and offices for more than normal housekeeping purposes.**

Maintenance and repairs must be done by qualified personnel.

If foam or liquid comes out of machine, switch off immediately.

## **SAVE THESE INSTRUCTIONS**

## **HAZARD INTENSITY LEVEL**

The following symbols are used throughout this guide as indicated in their descriptions:

### **HAZARD INTENSITY LEVEL**

There are three levels of hazard intensity identified by signal words -**WARNING** and **CAUTION** and **FOR SAFETY**. The level of hazard intensity is determined by the following definitions:

#### **! WARNING**

**WARNING** - Hazards or unsafe practices which COULD result in severe personal injury or death.

#### **! CAUTION**

**CAUTION** - Hazards or unsafe practices which could result in minor personal injury or product or property damage.

#### ***FOR SAFETY: To identify actions which must be followed for safe operation of equipment.***

Report machine damage or faulty operation immediately. Do not use the machine if it is not in proper operating condition. Following is information that signals some potentially dangerous conditions to the operator or the equipment. Read this information carefully. Know when these conditions can exist. Locate all safety devices on the machine. Please take the necessary steps to train the machine operating personnel.

#### ***FOR SAFETY:***

**DO NOT OPERATE MACHINE:**

Unless Trained and Authorized.

Unless Operation Guide is Read and understood.

In Flammable or Explosive areas.

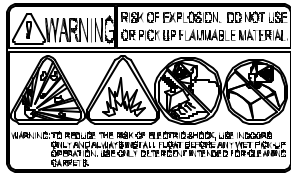
In areas with possible falling objects.

#### ***WHEN SERVICING MACHINE:***

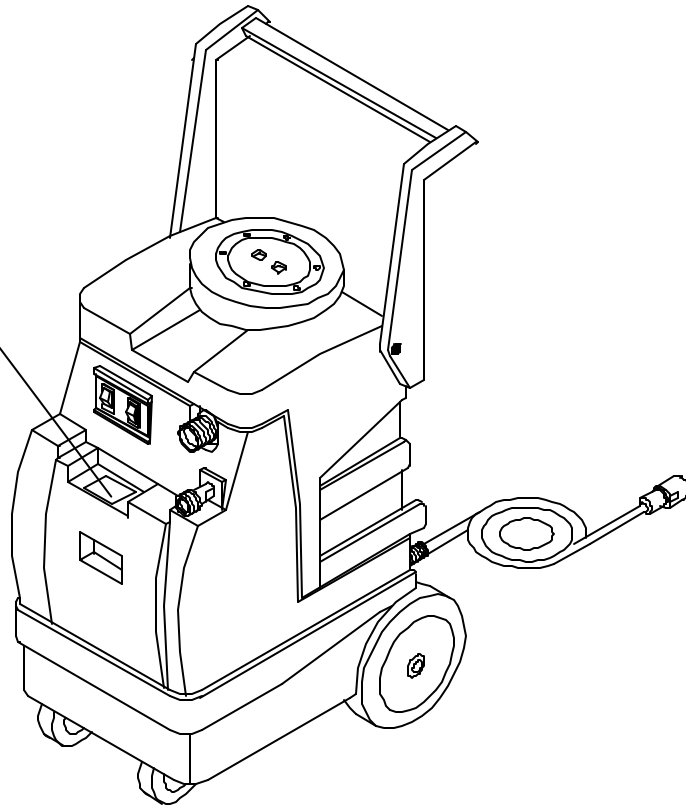
**Avoid moving parts. Do not wear loose clothing; jackets, shirts, or sleeves when working on the machine.**

# SAFETY LABEL LOCATION

NOTE: These drawings indicate the location of safety labels on the machine. If at any time the labels become illegible, promptly replace them.



LABEL WARNING  
500009



## GROUNDING INSTRUCTIONS (115V)

**THIS PRODUCT IS FOR COMMERCIAL USE ONLY.**

### ELECTRICAL:

In the USA this machine operates on a standard 15 amp 115V, 60 hz, A.C. power circuit. The amp, hertz, and voltage are listed on the data label found on each machine. Using voltages above or below those indicated on the data label will cause serious damage to the motors.

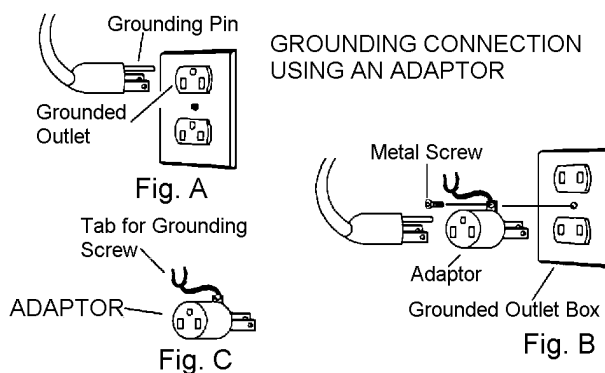
### EXTENSION CORDS:

If an extension cord is used, the wire size must be at least one size larger than the power cord on the machine, and must be limited to 50 feet (15.5m) in length.

### GROUNDING INSTRUCTIONS:

This appliance must be grounded. If it should malfunction or break down, grounding provides a path of least resistance for electric current to reduce the risk of electric shock. This appliance is equipped with a cord having an equipment-grounding conductor and grounding plug. The plug must be inserted into an appropriate outlet that is properly installed and grounded in accordance with all local codes and ordinances.

This appliance is for use on a nominal 120-volt circuit, and has a grounded plug that looks like the plug in "Fig. A". A temporary adaptor that looks like the adaptor in "Fig. C" may be used to connect this plug to a 2-pole receptacle as shown in "Fig. B", if a properly grounded outlet is not available. The temporary adaptor should be used only until a properly grounded outlet (Fig. A) can be installed by a qualified electrician. The green colored rigid ear, lug, or wire extending from the adaptor must be connected to a permanent ground such as a properly grounded outlet box cover. Whenever the adaptor is used, it must be held in place by a metal screw.

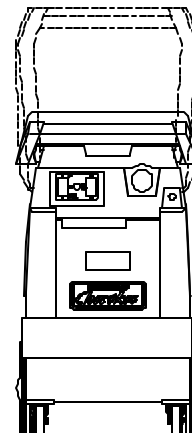
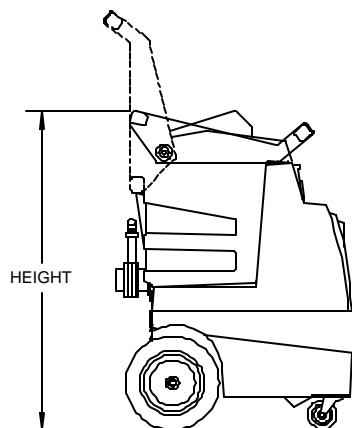
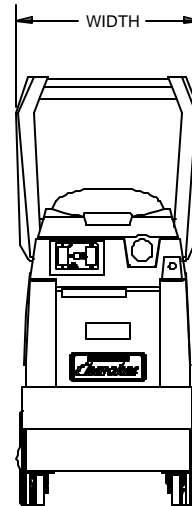
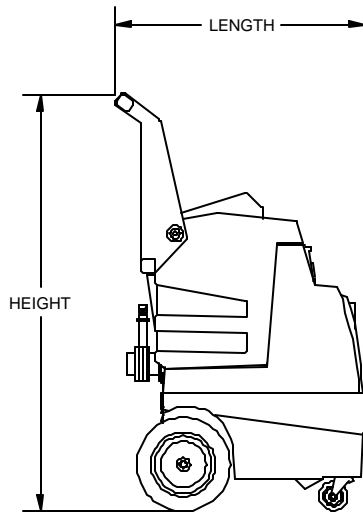


Note: Adaptors are not allowed in Canada.

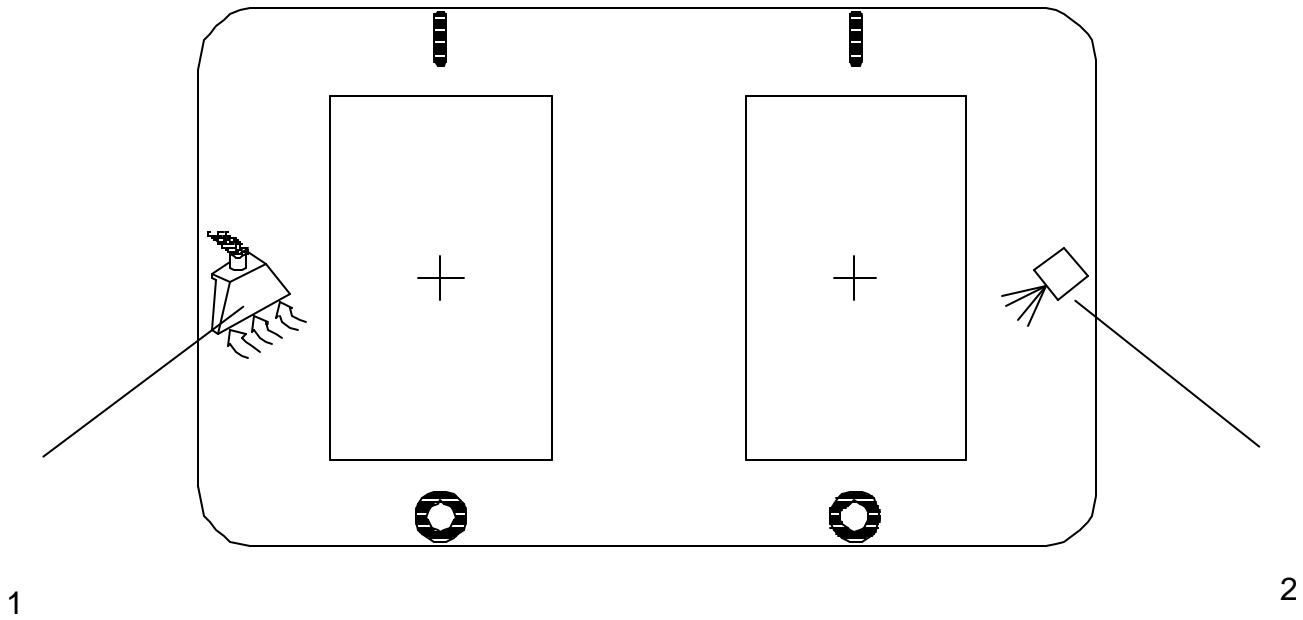
**Improper connection of the equipment-grounding conductor can result in a risk of electric shock. Check with a qualified electrician or service person if you are in doubt as to whether the outlet is properly grounded. Do not modify the plug provided with the appliance - if it will not fit the outlet, have a proper outlet installed by a qualified electrician.**

## TECHNICAL SPECIFICATIONS

| ITEM                          | MEASURE                |
|-------------------------------|------------------------|
| Electrical                    | 115 Volt, 60hz         |
|                               | 230 Volt, 50hz         |
| Vacuum Motor                  | Single 3 stage         |
| Solution Pump                 | 100 psi                |
| Solution Capacity             | 7 gal (26 L)           |
| Recovery Capacity             | 6 gal (22 L)           |
| Weight - Empty                | 50 lbs (110 kg)        |
| Weight -Full Solution         | 105 lbs (230 kg)       |
| Height                        | 35 inches (88.90 cm)   |
| Height – (Handle Folded Down) | 28.5 inches (72.39 cm) |
| Length                        | 25 inches (63.50 cm)   |
| Width                         | 15.5 inches (39.37 cm) |
| Power Cord                    | 22 feet (6.71 m)       |



# CONTROLS



- 
1. Vacuum Switch
  2. Pump Switch

### GENERAL INFORMATION

**As the carpet is being cleaned, check to see if there is foam building up in the recovery bucket.** Add a little defoaming compound to the recovery tank but never to the solution tank.

**For infrequent use or long periods of storage,** flush the system with a neutralizing solution of 1 quart white vinegar mixed with 2 gallons hot water. Flush the system with clean hot water after neutralizing.

**For hose fitting lubrication,** use a light silicone lubricant which will not damage o-rings.

### PROTECT THIS MACHINE FROM FREEZING.

#### PRE-RUN INSPECTION

1. Check all fittings and connectors for proper assembly.
2. Check all hoses for leaks. Repair or replace any damaged hoses.
3. Check power cord(s) for any damage. If damaged, replace.

#### EQUIPMENT SET-UP

1. Plug power cord from machine into properly grounded wall outlet.
2. Turn vacuum motor switch on and off to make sure there is electrical power at machine.
3. Connect vac hose to machine. Slide the swivel cuff over the outlet on the tank.
4. Connect the hose to your machine and wand. Pull back the knurled collar on the quick disconnect coupler (located on the solution tank) and push into the connection.

To avoid leaks, check to be sure that a positive connection was made.

5. Using a clean container, fill the solution tank with clean hot water. Mix in a non-foaming cleaning concentrate for use in hot water extraction machines, following the manufacture's instructions printed on container.

**NOTE:** When using a powder cleaner, pre-mix with hot water in a clean container before adding to the solution tank.

6. Turn pump and vacuum switch(s) to the on position.
7. Start cleaning.

#### EMPTYING AND CLEANING



**Always use defoamer if foaming occurs. Foam will suspend large particles that may damage vacuum(s) as well as allow liquid into the vacuum motor(s) without activating the float shutoff.**

1. Before proceeding, make certain that the nozzle is functioning properly.
  - a. To check, hold the wand about one foot above the surface to be cleaned and open the wand valve. A full spray should be observed from the nozzle.
  - b. If the nozzle is not showing a full spray pattern, adjust nozzle for proper pattern, clean, or replace nozzle.
2. Normally, chemical is applied on the push stroke of the wand when cleaning. Vacuuming is done on the pull stroke. For heavily soiled carpets the wand may be used in a scrubbing manner, applying chemical in both the push and pull stroke.
3. When cleaning, keep the working opening (wand mouth) flat on the surface being cleaned. Keep the wand moving when the valve is open.
4. The shutoff float inside the vacuum tank will impede the vacuum flow when the vacuum tank is full. When this occurs, empty the vacuum tank by opening the dump valve and dispose of the waste in a proper manner.
5. Once the vacuum tank has been emptied, you may once again proceed with cleaning

# MAINTENANCE

## DAILY MAINTENANCE



### WARNING:

**Unplug power cord(s) before servicing or making any repairs.**

1. Flush the entire system, including floor tool, hand tool, etc., with 1 to 3 gallons of clean, hot water.
2. Vacuum out the solution tank.
3. Rinse tank with fresh water. Periodically inspect the recovery tank and decontaminate if necessary, using a Hospital Grade Virucide or a 1-10 bleach to water solution. Wastewater should be disposed of properly.
4. Occasionally check filter screen at the bottom of the solution tank and rinse clean with hot water if necessary.
5. Inspect hoses for wear. Frayed or cracked hoses should be replaced to avoid vacuum or solution pressure loss.
6. Inspect power cord for wear or damage. This cable will lie on wet carpet. To prevent electrical shock replace cords that are frayed or have cracked insulation immediately.
7. Clean all dirt and obstructions from drain valve and gaskets to prevent possible leakage and premature wear.
8. Run clean water through solution pump when work is complete.
9. Empty both tanks and rinse, run vacuum (s) for at least one minute to dry motor(s).
10. Store with access covers removed to allow tanks to dry.



### WARNING:

**DO NOT attempt to repair hose! Repairing high-**

**pressure hoses may result in severe burns and serious injury.**

## PERIODIC MAINTENANCE

1. Twice a month, flush a white vinegar solution (One quart vinegar to two gallons of water) or anti-browning solution (mixed as directed) through the extractor, turning pump switch on/off several times, flush with clean water. This will prevent build-up of alkaline residue in the system.
2. Check hoses for wear, blockages, or damage. Frayed or cracked hoses should be repaired or replaced to eliminate vacuum or solution pressure.
3. Check all handles, switches, knobs, electrical cables and connections on your machine for damage. If the cable insulation is broken or frayed, repair or replace it immediately. Don't take chances with electrical fire or shock.
4. Clean out solution tank. Remove and clean solution screen.
5. Clean outside of all tanks and check for damage.

## MONTHLY MAINTENANCE

1. Check all bearings for noise and wear.
2. Check all gaskets for wear and leakage.
3. Check pump pressure; observe spray pattern and check gauge if necessary.
4. Check overall performance of machine.

## SEMI-ANNUALLY

1. Check vacuum motor brushes.

## LUBRICATION

For hose fitting lubrication, use a light silicone lubricant which will not damage o-rings.

## STORAGE

Thoroughly clean machine if it is to be stored. Protect this machine from freezing while in storage.

**HEAT MODELS ONLY:** Be sure to thoroughly drain water out of heater lines prior to storage in colder climates. This heater will freeze and possibly crack voiding your warranty.

**⚠ WARNING:** Only qualified maintenance personnel are to perform the following repairs.

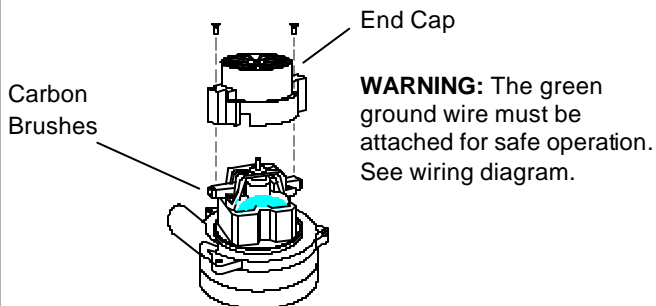
## VACUUM MOTOR REPLACEMENT

1. Turn off all switches and unplug machine.
2. Remove recovery tank.
3. Locate the vacuum motor wires and disconnect at the connector.
4. Remove the vacuum motor.
5. Reverse process to install vacuum motor.

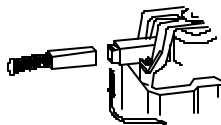
## SOLUTION PUMP REPLACEMENT

1. Turn off all switches and unplug the machine.
2. Remove recovery tank.
3. Remove solution hoses from fittings in pump.
4. Remove the screws that fasten the pump to the frame.
5. Reverse process to install pump.

### Vacuum Motor Carbon Brushes Replacement (Windsor)

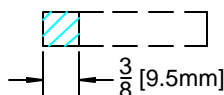


If armature commutator is grooved, extremely pitted or not concentric, the motor will need to be replaced or sent to a qualified service center.



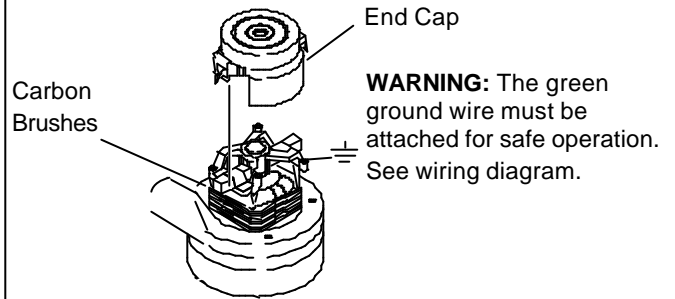
**Important:**

These brushes wear quicker as the length shortens due to increased heat. Spring inside brush housing will damage motor if brushes are allowed to wear away completely.

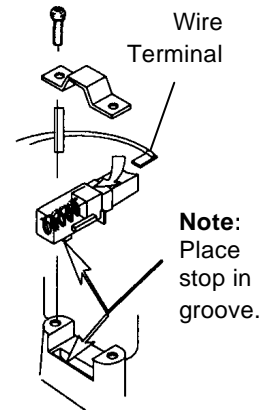


Periodically check the length of the carbon brushes. Replace both carbon brushes when either is less than 3/8" (9.5mm) long.

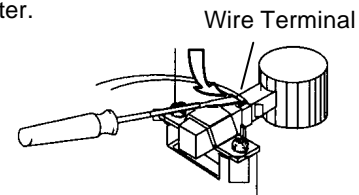
### Vacuum Motor Carbon Brushes Replacement (Ametek)



**Note:** When replacing carbon brushes loosen wire terminal **BEFORE** removing screws on bracket.

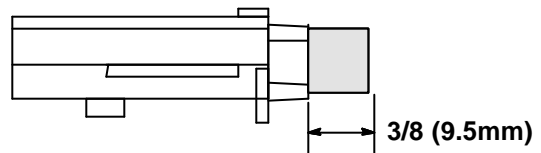


If armature commutator is grooved, extremely pitted or not concentric, the motor will need to be replaced or sent to a qualified service center.



**Important:**

These brushes wear quicker as the length shortens due to increased heat. Spring inside brush housing will damage motor if brushes are allowed to wear away completely.

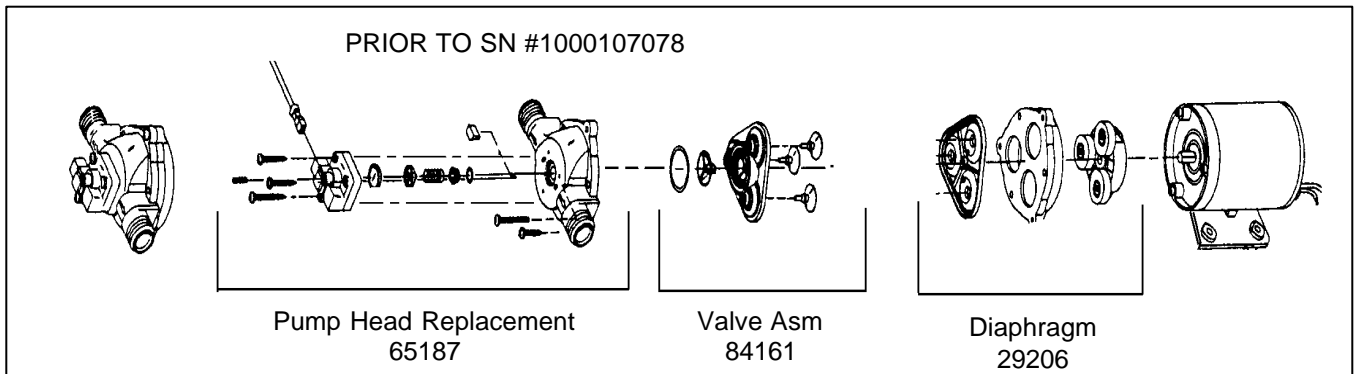
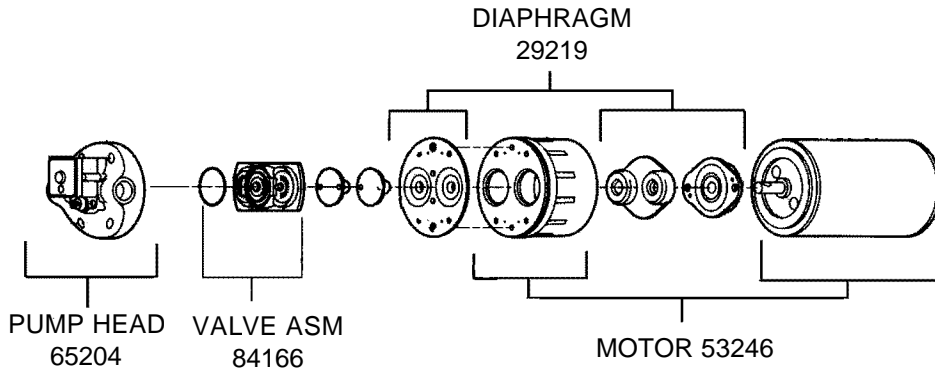


Periodically check the length of the carbon brushes. Replace both carbon brushes when either is less than 3/8" (9.5mm) long.

# MAINTENANCE

## PUMP REPLACEMENT KITS

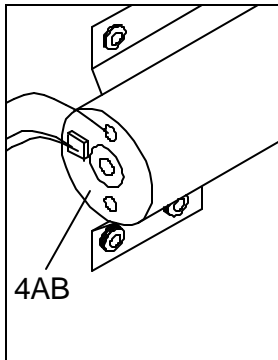
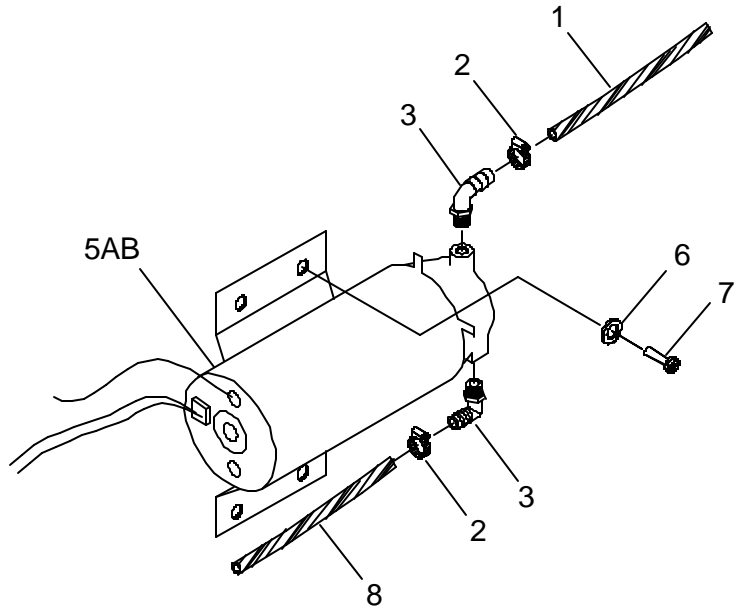
PUMP REPLACEMENT PARTS FOR FLOJET 100 PSI (65219 & 65220)



## TROUBLESHOOTING

| PROBLEM                               | CAUSE  | SOLUTION  |
|---------------------------------------|--|---|
| Loss of Power                         | Dead electrical circuit                                | Check building circuit breaker or fuse box.   |
|                                       | Faulty power cord                                      | Replace   |
| Electrical shock                      | Equipment not grounding                                | Follow grounding instructions exactly   |
|                                       | Receptacle not grounded                                | Contact an electrician to check building's wiring   |
|                                       | Internal wiring problem                                | Have a trained service technician check machine's wiring  |
| Vac motor speed varies or doesn't run | Worn motor brushes                                     | Replace   |
|                                       | Motor worn out   | Replace   |
|                                       | Faulty switch  | Replace   |
| Loss of vacuum                        | Loose vacuum dome                                      | Center and seal dome over tank  |
|                                       | Crack in dome of poor joint                            | Replace or repair using acrylic plastic cement only   |
|                                       | Lint or dirt clogging vacuum screen                    | With power off clean screen   |
|                                       | Loose cuffs on vacuum hose                             | Tighten cuffs turning counterclockwise  |
|                                       | Vac motor seals leaking                                | Replace   |
|                                       | Floor tool vac chamber clogged                         | Wash out with hose. Pick lint out with a wire   |
|                                       | Vac motor, hose, or dome gasket                        | Replace   |
| Pump runs no solution                 | Pump inlet screen plugged                              | Clean inlet screen  |
|                                       | Pump air locked  | Press trigger to open valve on cleaning wand to relieve air   |
|                                       | Internal or external solution line damaged and leaking | Replace   |
| Pump runs, loss of pressure           | Internal pump components wearing out                   | Replace, see pump kit components (pg 4-3)   |
| Pump will not run                     | Unit not plugged in                                    | Connect unit to 3 prong grounded outlet   |
|                                       | Loose wiring   | See dealer  |
| Solution hose fitting hard to connect | Corrosion on fittings.                                 | Clean with steel wool. Soak in acetic acid (white vinegar). Lubricate lightly with silicone base lubricant. |
| Carpet not getting clean              | Severe soil conditions                                 | Make several passes at right angles to each other. Use a pre-spray.   |
| Carpet too wet                        | Over saturation  | Adjust solution pressure to lower settings. Make several passes without spray                               |
| Carpet browning                       | Leaving carpet too wet                                 | Check for loss of vac pressure  |
|                                       | Too much chemical                                      | Check label for correct solution concentration  |
|                                       | Light carpet with no brown prevention                  | Go over carpet with browning prevent only   |
| Solution not flowing properly         | Solution hose connection                               | Check for positive connection   |
|                                       | Faulty pump  | Repair or replace   |
|                                       | Faulty floor tool valve                                | Repair or replace   |
|                                       | Faulty pump switch                                     | Repair  |

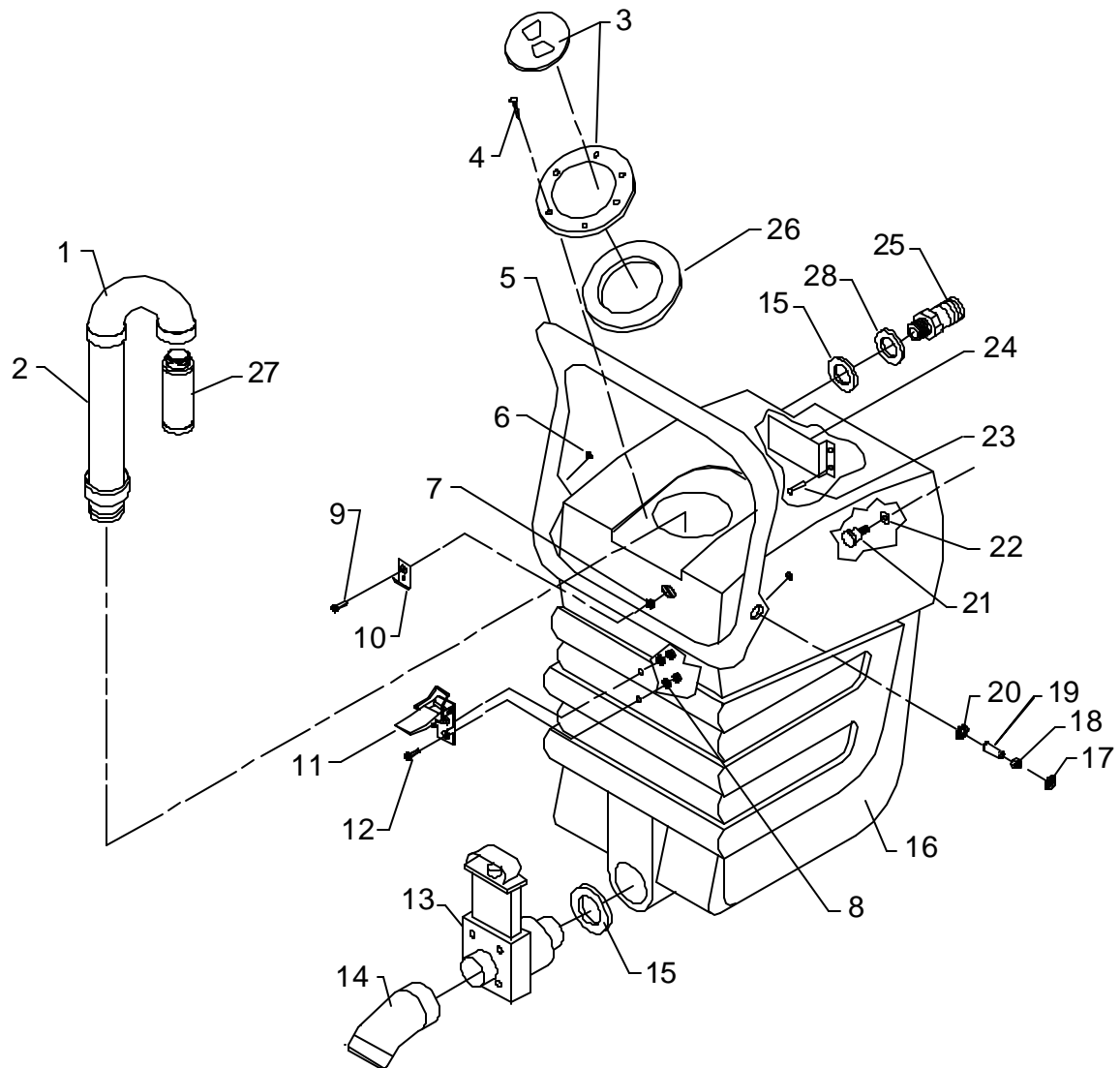
# PUMP GROUP



## PUMP GROUP

| REF | PART NO. | QTY | DESCRIPTION                   | SERIAL NO.<br>FROM | NOTES:    |
|-----|----------|-----|-------------------------------|--------------------|-----------|
| 1   | 39049    | 1   | HOSE, 3/8" RUBBER X 11"       |                    |           |
| 2   | 20042    | 2   | CLAMP, 3/8 HOSE (D-SLOT)      |                    |           |
| 3   | 40043    | 2   | HOSEBARB, 3/8 MPT X 3/8 90D   |                    |           |
| 4A  | 250-64A  | 1   | 100 PSI PUMP DEMAND           |                    | 115V ONLY |
| 4B  | 250-64B  | 1   | 100 PSI PUMP 220V             |                    | 220V ONLY |
| 5A  | 65219    | 1   | PUMP, 115V 100PSI BYPASS W/SW | 1000107078         | 115V ONLY |
| 5B  | 65220    | 1   | PUMP, FLOJET 100PSI 230V      | 1000107078         | 220V ONLY |
| 6   | 87013    | 2   | WASHER, 1/4 ID X 5/8 OD SS    |                    |           |
| 7   | 70015    | 2   | SCR, 1/4-20 X 3/4 HHCS SS NP  |                    |           |
| 8   | 39311    | 1   | HOSE, 3/8" RUBBER X 14"       |                    |           |

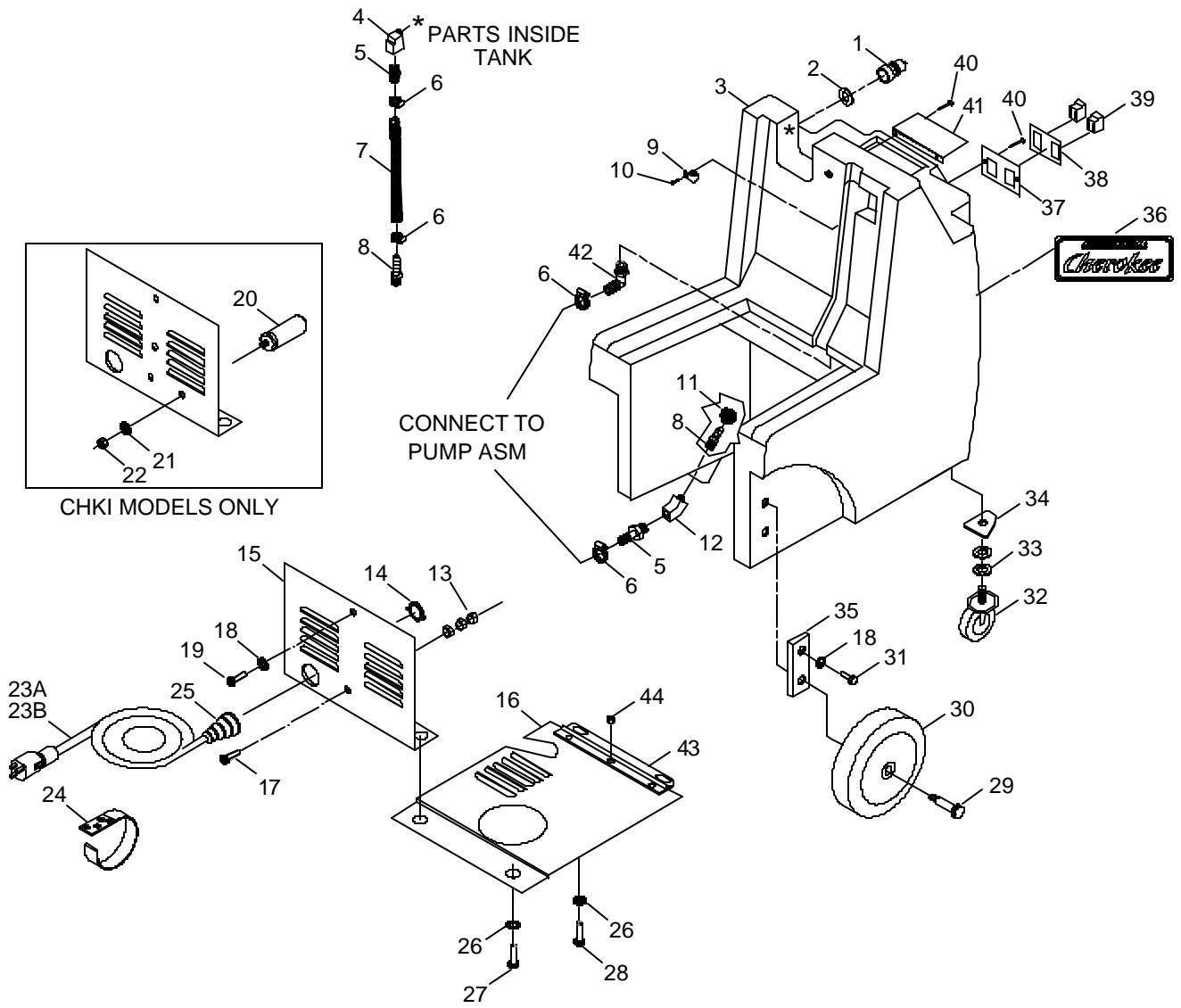
# RECOVERY TANK GROUP



## RECOVERY TANK GROUP

| REF | PART NO.  | QTY | DESCRIPTION                    | SERIAL NO.<br>FROM | NOTES: |
|-----|-----------|-----|--------------------------------|--------------------|--------|
| 1   | 04094     | 1   | ADPTR, 1.5FS X 1.5FS PVC "U"   |                    |        |
| 2   | 34408     | 1   | FLOAT SHUT-OFF TUBE W/ADPTR    |                    |        |
| 3   | 260-64A   | 1   | ACCESS COVER CLEAR 6" W/ RIM   |                    |        |
| 4   | 70546     | 6   | SCR, 8 X 3/4 PFHT/S BLK ZINC   |                    |        |
| 5   | 38305     | 1   | HANDLE, CHEROKEE MED BLU       |                    |        |
| 6   | 110-14B   | 2   | CAP PLUG 5/8"                  |                    |        |
| 7   | 57106     | 3   | NUT, 8-32 W/STAR WASHER PLTD   |                    |        |
| 8   | 87131     | 2   | WASHER, #10 FLAT W/NEOPRENE    |                    |        |
| 9   | 70051     | 1   | SCR, 8-32 X 1/2 PPHMS NP       |                    |        |
| 10  | 140-03A   | 1   | STRIKE FOR 140-03              |                    |        |
| 11  | 140-03    | 1   | LATCH DRAW PULL 6 GAL.         |                    |        |
| 12  | 70013     | 2   | SCR, 8-32 X 3/4 PPHMS SS       |                    |        |
| 13  | 15-808123 | 1   | DUMP VALVE, 2"                 |                    |        |
| 14  | 11-800444 | 1   | ELBOW, 2" 45D PVC SCH40        |                    |        |
| 15  | 35256     | 2   | GASKET, DUMP VALVE             |                    |        |
| 16  | 75366     | 1   | TANK, RECOVERY CHEROKEE        |                    |        |
| 17  | 110-14A   | 3   | CAP PLUG 1"                    |                    |        |
| 18  | 57047     | 2   | NUT, 1/4-20 HEX NYLOCK         |                    |        |
| 19  | 70393     | 2   | SET SCR, 1/4-20 X 1.25L        |                    |        |
| 20  | 87013     | 2   | WASHER, 1/4 ID X 5/8 OD SS     |                    |        |
| 21  | 140-12    | 1   | KNOB 1/4-20 X 3/4 S/S CUPPOINT |                    |        |
| 22  | 390-24    | 1   | WASHER 1/4 X 5/8 BONDED NEOPRN |                    |        |
| 23  | 280-02    | 2   | RIVIT AL. 3/16 X 1/2 CLOSED    |                    |        |
| 24  | 065-40    | 1   | BAFFLE                         |                    |        |
| 25  | 260-33    | 1   | HOSEBARB, 1.5 MPT X 1.5        |                    |        |
| 26  | 35255     | 1   | GASKET, TANK LID               |                    |        |
| 27  | 34380     | 1   | FLOAT, SHUT OFF                |                    |        |
| 28  | 87257     | 1   | WASHER, HOSEBARB               |                    |        |

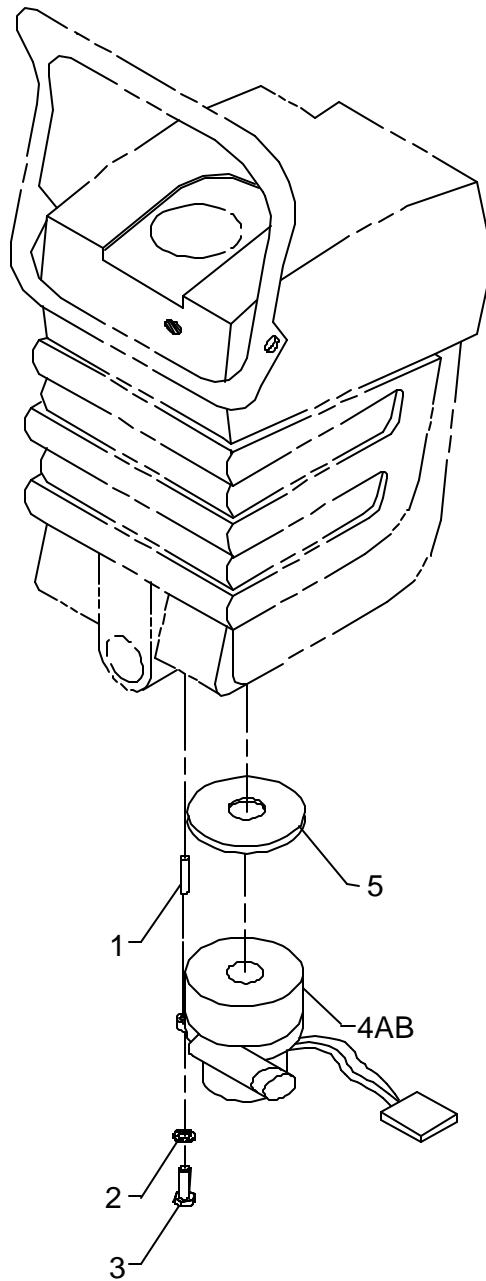
# SOLUTION TANK GROUP



## SOLUTION TANK GROUP

| REF | PART NO.  | QTY | DESCRIPTION                      | SERIAL NO.<br>FROM | NOTES:    |
|-----|-----------|-----|----------------------------------|--------------------|-----------|
| 1   | 56012     | 1   | NIPPLE, 1/4FPT QD                |                    |           |
| 2   | 87015     | 1   | WASHER, 9/16 ID X 1.06 OD SS     |                    |           |
| 3   | 75365     | 1   | TANK, SOLUTION CHEROKEE          |                    |           |
| 4   | 030-16    | 1   | ELBOW, 1/4 NPT STREET LONG 90D   |                    |           |
| 5   | 40014     | 2   | HOSEBARB, 1/4MPT X 3/8 BRASS DL  |                    |           |
| 6   | 20042     | 4   | CLAMP, 3/8 HOSE (D-SLOT)         |                    |           |
| 7   | 39311     | 1   | HOSE, 3/8 RUBBER X 14"           |                    |           |
| 8   | 40094     | 2   | HOSEBARB, 1/4NPT X 3/8 NYLON     |                    |           |
| 9   | 20054     | 1   | CLAMP, 3/8 NYLON UL/CSA          |                    |           |
| 10  | 280-02    | 1   | RIVET AL. 3/16 X 1/2 CLOSED      |                    |           |
| 11  | 290-08    | 1   | SOL SCREEN (ACORN) W. RUB BASE   |                    |           |
| 12  | 31021     | 1   | ELBOW, 1/4 NPT 45D STREET        |                    |           |
| 13  | 57105     | 3   | NUT, 1/4-20 HEX W/ STAR WASHER   |                    |           |
| 14  | 57040     | 1   | NUT, 1/2 NPT CONDUIT             |                    |           |
| 15  | 065-39A   | 1   | ACCESS PLATE NO HEAT             |                    |           |
| 16  | 61366     | 1   | PLATE, ACCESS                    |                    |           |
| 17  | 70018     | 1   | SCR, 1/4-20 X 1 HHCS SS          |                    |           |
| 18  | 87013     | 3   | WASHER, 1/4 ID X 5/8 OD SS       |                    |           |
| 19  | 70015     | 1   | SCR, 1/4-20 X 3/4 HHCS SS NP     |                    |           |
| 20  | 33-901006 | 1   | FILTER, INLINE 16A F55047/1      |                    | CHKI ONLY |
| 21  | 87067     | 1   | WASHER, 5/16 LOCK INT STAR PLT   |                    | CHKI ONLY |
| 22  | 57054     | 1   | NUT, M8                          |                    | CHKI ONLY |
| 23A | 060-04A   | 1   | CORD 25' BLK 14/3 SJTW/A PLUG    |                    | 115V      |
| 23B | 23709     | 1   | CORD ASM, 50' BLK 1.0MM2 BRIT    |                    | 230V      |
| 24  | 320-05    | 1   | VELCRO STRAP                     |                    |           |
| 25  | 73505     | 1   | STRAIN RELIEF, 1/2 NPT TRUMPET   |                    |           |
| 26  | 87018     | 4   | WASHER, #10 X 9/16 OD            |                    |           |
| 27  | 70051     | 2   | SCR, 8-32 X 1/2 PPHMS NP         |                    |           |
| 28  | 70052     | 2   | SCR, 8-32 X 3/8 PPHMS SS         |                    |           |
| 29  | 70721     | 2   | SHOULDER BOLT, 1/2 OD X 2.25 L   |                    |           |
| 30  | 040-08    | 2   | WHEEL 8" GRY CENTERED HUB        |                    |           |
| 31  | 70020     | 2   | SCR, 1/4-20 X 1/2 HHCS SS NP     |                    |           |
| 32  | 040-12    | 2   | CASTER 2 1/2" THR'D 3/8-16       |                    |           |
| 33  | 87086     | 4   | WASHER, M10 X 30 PLTD            |                    |           |
| 34  | 065-41A   | 2   | WHEEL SUPPORT PLATE              |                    |           |
| 35  | 065-41    | 2   | WHEEL BRACKET                    |                    |           |
| 36  | 500526    | 1   | LABEL, MAIN CHEROKEE             |                    |           |
| 37  | 335-08    | 1   | SWITCH PLATE                     |                    |           |
| 38  | 170-22B   | 1   | LABEL W/O HEAT                   |                    |           |
| 39A | 72142     | 2   | SWITCH, SPST 15A EURO ROCKER     |                    | 115V      |
| 39B | 330-13    | 2   | ROCKER SWITCH DBL POLE           |                    | 230V      |
| 40  | 70219     | 5   | SCR, #6 X 1/2 SHT MTL BLK        |                    |           |
| 41  | 065-03F   | 1   | SOLUTION COVER                   |                    |           |
| 42  | 40095     | 1   | HOSEBARB, 1/4NPT X 3/8 NYLON 90D |                    |           |
| 43  | 41394     | 1   | HINGE ACCESS PLATE               |                    |           |
| 44  | 57049     | 3   | NUT, 6-32 HEX NYLOCK SS          |                    |           |

# VACUUM MOTOR GROUP

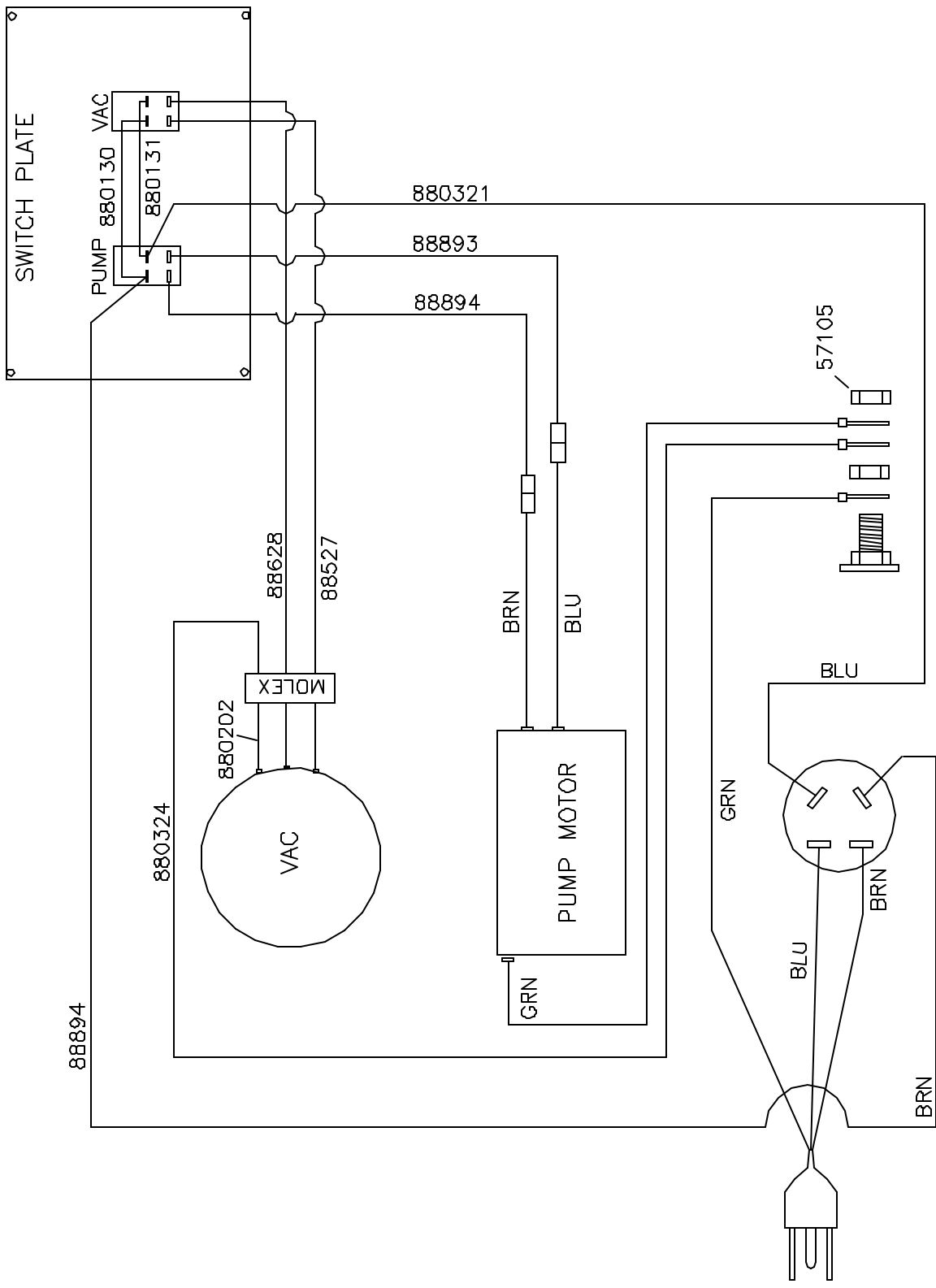


## VACUUM MOTOR GROUP

| REF | PART NO. | QTY | DESCRIPTION                    | SERIAL NO.<br>FROM | NOTES:       |
|-----|----------|-----|--------------------------------|--------------------|--------------|
| 1   | 065-24E  | 3   | VAC SPACER 3 1/8               |                    |              |
| 2   | 87013    | 3   | WASHER, 1/4 ID X 5/8 OD SS     |                    |              |
| 3   | 70062    | 3   | SCR, 1/4-20 X 4 HHCS GR5 PLTD  |                    |              |
| 4A  | 53130    | 1   | VAC MOTOR, 120V 5.7 3ST W/O TB | *                  | 120V ONLY    |
| -   | 140687   | -   | BRUSH SET, 120V VAC WINDSOR    | *                  | SERVICE ONLY |
| -   | 140676   | -   | BRUSH SET, 120V 3ST VAC AMETEK |                    | SERVICE ONLY |
| 4B  | 360-05B  | 1   | VACUMM 116859-13 220V SM 3 STG |                    | 230V ONLY    |
| -   | 14441    | -   | BRUSH SET, 230V 3ST VAC AMETEK |                    | SERVICE ONLY |
| 5   | 35011    | 1   | GASKET, 3/8T 5.7 VAC FAN SEAL  |                    |              |



**WIRING DIAGRAM (220V)**



## SUGGESTED SPARE PARTS

| PART NO.  | DESCRIPTION                    | SERIAL NO.<br>FROM | NOTES:    |
|-----------|--------------------------------|--------------------|-----------|
| 34380     | FLOAT, SHUT OFF                |                    |           |
| 260-64A   | ACCESS COVER CLEAR 6" W/RIM    |                    |           |
| 11-800444 | ELBOW, 2" 45D PVC SCH40        |                    |           |
| 330-02    | ROCKER SWITCH 2 PRONG          |                    |           |
| 320-05    | VELCRO STRAPS                  |                    |           |
| 35011     | GASKET, 3/8T 5.7 VAC FAN SEAL  |                    |           |
| 140-12    | KNOB 1/4-20 X 3/4 S/S CUPPOINT |                    |           |
| 140687    | BRUSH SET, 120V VAC WINDSOR    | *                  | 120V ONLY |
| 140676    | BRUSH SET, 120V 3ST VAC AMETEK |                    | 120V ONLY |
| 14441     | BRUSH SET, 230V 3ST VAC AMETEK |                    | 230V ONLY |

**NOTES:**

## Declaration of Conformity to EMC Directive

We herewith declare,

Windsor Industries, Inc.  
1351 W. Stanford Ave.  
Englewood, CO 80110-5545 USA

that the following product complies with the appropriate requirements of the EC Directive listed below, based on the relevant sections of the applicable EC standards and other normative documents.

**Product:** Cherokee International

**Product Identification:** Rated: 230 volts, 50 hertz, 6.5 amps

**Trademark:** **PROCHEM**

**Model/Type Ref.:** CHKI

**Product Description:** This product is a mains powered, portable carpet drier, intended for commercial use.

**Applicable EC Directives:** EC Directive of Electromagnetic Compatibility  
(89/336/EEC & 93/68/EEC)

**Applicable Harmonized Standards:** EN 55014-1: 1997  
EN 55014-2: 1997

  
\_\_\_\_\_  
Authorized Signature

3-12-03  
\_\_\_\_\_  
Date

**Title of Signature:** Test Engineer, Windsor Industries, Inc.

# Warranty Registration

(Must Be Returned 10 Days From Date of Purchase or Warranty May Be Void)

Product Description \_\_\_\_\_

Serial # \_\_\_\_\_

Date of Purchase \_\_\_\_\_

Please Include Area Code

Purchased From \_\_\_\_\_ Phone # ( ) - \_\_\_\_\_

Your Name \_\_\_\_\_

Company Name \_\_\_\_\_

Please Include Area Code

Street \_\_\_\_\_ Phone # ( ) - \_\_\_\_\_

City \_\_\_\_\_ State \_\_\_\_\_

Zip Code \_\_\_\_\_ Country \_\_\_\_\_

**PLEASE** spend a few moments filling out this questionnaire. This will help our company improve its ability to better service you, our customer.

Number of Employee? \_\_\_\_\_

What is your most common work performed? (Carpet, flood, institutional, etc...) \_\_\_\_\_

What other types of equipment do you use? \_\_\_\_\_

Is this your first purchase of our products? \_\_\_\_\_

What other products are you planning to purchase in the next 12 months? \_\_\_\_\_

**Suggestions:** \_\_\_\_\_

\_\_\_\_\_

\_\_\_\_\_

\_\_\_\_\_

Carefully Remove This Page

----- Fold Here -----

Place  
Stamp  
Here

**Warranty Registration Centers**  
**P.O. Box 2800**  
**Chandler, Arizona 85244 U.S.A.**

----- Fold Here -----

Fold & Staple