

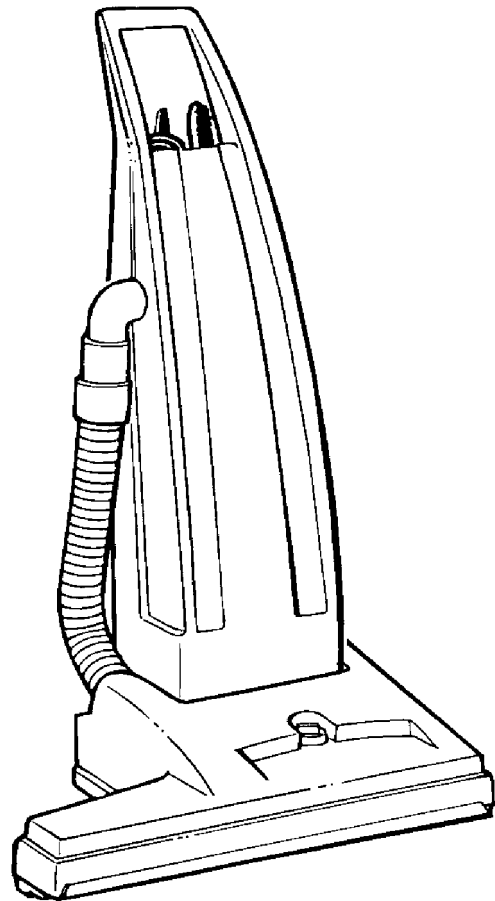


# Magna Twin™ 1600/2200/2600

Dual Motor Vacuum  
Aspiradora con dos Motores

Model No.:  
608229 - 1600  
608230 - 2200  
608231 - 2600

Operator and Parts Manual  
Manual del Operador y Piezas



608593  
Rev. 02 (10-04)

### IMPORTANT SAFETY INSTRUCTIONS

When using an electrical appliance, basic precautions should always be followed, including the following:

#### **READ ALL INSTRUCTIONS BEFORE USING (THIS APPLIANCE)**

**WARNING:** To reduce the risk of fire, electric shock, or injury:

1. Do not leave appliance when plugged in. Unplug from outlet when not in use and before servicing.
2. Do not use outdoors or on wet surfaces.
3. Do not allow to be used as a toy. Close attention is necessary when used by or near children.
4. Use only as described in this manual. Use only manufacturer's recommended attachments.
5. Do not use with damaged cord or plug. If appliance is not working as it should, has been dropped, damaged, left outdoors, or dropped into water, return it to a service center.
6. Do not pull or carry by cord, use cord as a handle, close a door on cord, or pull cord around sharp edges or corners. Do not run appliance over cord. Keep cord away from heated surfaces.
7. Do not unplug by pulling on cord. To unplug, grasp the plug, not the cord.
8. Do not handle plug or appliance with wet hands.
9. Do not put any object into openings. Do not use with any opening blocked; keep free of dust, lint, hair, and anything that may reduce air flow.
10. Keep hair, loose clothing, fingers, and all parts of body away from openings and moving parts.
11. Do not pick up anything that is burning or smoking, such as cigarettes, matches, or hot ashes.
12. Do not use without dust bag and/or filters in place.
13. Turn off all controls before unplugging.
14. Use extra care when cleaning on stairs.
15. Do not use to pick up flammable or combustible liquids such as gasoline or use in areas where they may be present.

---

## LIRE TOUTES LES INSTRUCTIONS AVANT DE FAIRE FONCTIONNER (CET APPAREIL)

**AVERTISSEMENT:** Pour réduire les risques d'incendie, de choc électrique ou de blessure:

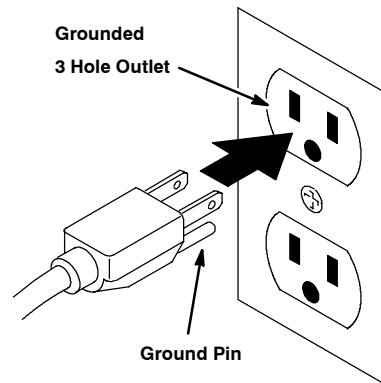
1. Ne pas laisser l'appareil sans surveillance lorsqu'il est branché. Débrancher lorsque l'appareil n'est pas utilisé et avant l'entretien.
2. Ne pas utiliser à l'extérieur et ne pas aspirer de matières humides.
3. Ne pas permettre aux enfants de jouer avec l'appareil. Une attention particulière est nécessaire lorsque l'appareil est utilisé par des enfants ou à proximité de ces derniers.
4. Utiliser que conformément à cette notice avec les accessoires recommandés par le fabricant.
5. Ne pas utiliser si le cordon ou la fiche est endommagé. Retourner l'appareil à un atelier de réparation s'il ne fonctionne pas bien, s'il est tombé ou s'il a été endommagé, oublié à l'extérieur ou immergé.
6. Ne pas tirer, soulever ou traîner l'appareil par le cordon. Ne pas utiliser le cordon comme une poignée, le coincer dans l'embrasure d'une porte ou l'appuyer contre des arêtes vives ou des coins. Ne pas faire rouler l'appareil sur le cordon. Garder le cordon à l'écart des surfaces chaudes.
7. Ne pas débrancher en tirant sur le cordon. Tirez plutôt la fiche.
8. Ne pas toucher la fiche ou l'appareil lorsque vos mains sont humides.
9. N'insérer aucun objet dans les ouvertures. Ne pas utiliser l'appareil lorsqu'une ouverture est bloquée. S'assurer que de la poussière, de la peluche, des cheveux ou d'autres matières ne réduisent pas le débit d'air.
10. Maintenir les cheveux, les vêtements amples, les doigts et toutes les parties du corps à l'écart des ouvertures et des pièces mobiles.
11. Ne pas aspirer de matières en combustion ou qui dégagent de la fumée, comme des cigarettes, des allumettes ou des dendres chaudes.
12. Ne pas utiliser l'appareil si le sac à poussière ou le filtre n'est pas en place.
13. Mettre toutes les commandes à la position ARRÊT avant de débrancher l'appareil.
14. User de prudence lors du nettoyage des escaliers.
15. Ne pas aspirer des liquides inflammables ou combustibles, comme de l'essence, et ne pas faire fonctionner dans des endroits où peuvent se trouver de tels liquides.

### GROUNDING INSTRUCTIONS

This appliance must be grounded. If it should malfunction or breakdown, grounding provides a path of least resistance for electric current to reduce the risk of electric shock. This appliance is equipped with a cord having an equipment-grounding conductor and grounding plug. The plug must be plugged into an appropriate outlet that is properly installed and grounded in accordance with all local codes and ordinances.

**⚠ WARNING - Improper connection of the equipment-grounding conductor can result in a risk of electric shock. Check with a qualified electrician or service person if you are in doubt as to whether the outlet is properly grounded. Do not modify the plug provided with the appliance - if it will not fit the outlet, have a proper outlet installed by a qualified electrician.**

This appliance is for use on a nominal 120-volt circuit and has a grounding attachment plug that looks like the plug illustrated in sketch. Make sure that the appliance is connected to an outlet having the same configuration as the plug. No adaptor should be used with this appliance.



### INSTRUCTIONS VISANT LA MISE 'A LA TERRE

Cet appareil doit être mis à la terre. En cas de défaillance ou de panne éventuelles, la mise à la terre fournit au courant un chemin de moindre résistance qui réduit le risque de choc électrique. Cet appareil est pourvu d'un cordon muni d'un conducteur de terre et d'une fiche avec broche de terre. La fiche doit être branchée dans une prise appropriée correctement installée et mise à la terre conformément aux règlements et ordonnances municipaux.

**AVERTISSEMENT. Un conducteur de terre mal raccordé peut entraîner un risque de choc électrique. Consulter un électricien ou un technicien d'entretien qualifié si vous n'êtes pas certain que la prise est correctement mise à la terre. Ne pas modifier la fiche fournie avec l'appareil - si elle ne peut être insérée dans la prise, faire installer une prise adéquate par un électricien qualifié.**

Cet appareil est destiné à un circuit de 120 v et est muni d'une fiche de mise à la terre semblable à celle illustrée par le croquis. S'assurer que l'appareil est branché à une prise de courant ayant la même configuration que la fiche. Aucun adaptateur ne devrait être utilisé avec cet appareil.

This manual is furnished with each new model. It provides necessary operation and maintenance instructions and an illustrated parts list.

**Read this manual completely and understand the machine before operating or servicing it.**

Use the illustrated Parts Lists to order parts. Before ordering parts or supplies, be sure to have your machine model number and serial number handy. Parts and supplies may be ordered by phone or mail from any authorized parts and service center, distributor or from any of the manufacturer's subsidiaries.

This machine will provide excellent service. However, the best results will be obtained at minimum costs if:

- The machine is operated with reasonable care.
- The machine is maintained regularly - per the maintenance instructions provided.
- The machine is maintained with manufacturer supplied or equivalent parts.

## MACHINE DATA

Please fill out at time of installation for future reference.

Model No.- \_\_\_\_\_

Install. Date - \_\_\_\_\_

Serial No.- \_\_\_\_\_

©2001, 2004 Tennant Company

Printed in U.S.A.

Nobles is a registered United States trademark of Tennant Company.

**Tennant Company**

PO Box 1452

Minneapolis, MN 55440

Phone: (800) 553-8033 or (763) 513-2850

[www.nobles.com](http://www.nobles.com)

# OPERATION

---

---

## TABLE OF CONTENTS

(ESPAÑOL ÍNDICE . . . . . 17)

---

<b>SAFETY PRECAUTIONS</b> . . . . .	<b>7</b>	<b>RECOMMENDED STOCK ITEMS</b> . . . . .	<b>13</b>
GROUNDING INSTRUCTIONS . . . . .	8	<b>TROUBLE SHOOTING</b> . . . . .	<b>14</b>
<b>SAFETY LABELS</b> . . . . .	<b>8</b>	<b>SPECIFICATIONS</b> . . . . .	<b>14</b>
<b>MACHINE COMPONENTS</b> . . . . .	<b>9</b>	<b>ELECTRICAL DIAGRAMS</b> . . . . .	<b>28</b>
<b>MACHINE SETUP</b> . . . . .	<b>9</b>	<b>PARTS LIST</b> . . . . .	<b>30</b>
<b>MACHINE OPERATION</b> . . . . .	<b>10</b>	UPPER UNIT . . . . .	30
<b>BRUSH CIRCUIT BREAKER</b> . . . . .	<b>11</b>	UPPER UNIT - CONT. . . . .	32
<b>VACUUM MOTOR THERMAL OVERLOAD</b> . . . . .	<b>11</b>	LOWER UNIT . . . . .	34
<b>ATTACHMENT TOOL OPERATION</b> . . . . .	<b>11</b>	BRUSH BREAKDOWN . . . . .	36
<b>VACUUM BAG REMOVAL/INSTALLATION</b> . . . . .	<b>11</b>	<b>OPTIONS</b> . . . . .	<b>37</b>
<b>MACHINE MAINTENANCE</b> . . . . .	<b>12</b>	TOOL ATTACHMENT KIT . . . . .	37
POWER CORD . . . . .	12	CLEAN AIR EXHAUST FILTER KIT . . . . .	38
VACUUM BAG . . . . .	12		
SECONDARY FILTER . . . . .	12		
BRUSH AND BELT . . . . .	12		
OTHER . . . . .	13		
VACUUM MOTOR . . . . .	13		
STORING MACHINE . . . . .	13		

---


## SAFETY PRECAUTIONS

---

This machine is intended for commercial use only. It is designed exclusively to pick up dirt, dry debris and dust in an indoor environment and is not constructed for any other use. The pick up of any type of fluid or dangerous/toxic materials is prohibited. Use only recommended accessories.

All operators must read, understand and practice the following safety precautions.

The following warning alert symbol and the "FOR SAFETY" heading are used throughout this manual as indicated in their description:

 **WARNING:** To warn of hazards or unsafe practices which could result in severe personal injury or death.

**FOR SAFETY:** To identify actions which must be followed for safe operation of equipment.

---

Failure to follow these warnings may result in: personal injury, electrocution, electric shock, fire or explosion:

 **WARNING:** Do Not Use Flammable Liquids Or Operate Machine In Or Near Flammable Liquids, Vapors Or Combustible Dusts.

This machine is not equipped with explosion proof motors. The electric motors will spark upon start up and during operation which could cause a flash fire or explosion if machine is used in an area where flammable vapors/liquids or combustible dusts are present.

 **WARNING:** Do Not Pick Up Flammable Or Toxic Materials, Burning Or Smoking Debris.

 **WARNING:** Do Not Operate With Damaged Power Cord. Do Not Modify Plug. Unplug Power Cord Before Servicing Machine

If the supply cord is damaged or broken, it must be replaced by the manufacturer or it's service agent or a similarly qualified person in order to avoid a hazard.

 **WARNING:** Do Not Use Outdoors Or On Wet Surfaces. Do Not Expose to Rain. Store Indoors.

---

The following information signals potentially dangerous conditions to the operator or equipment:

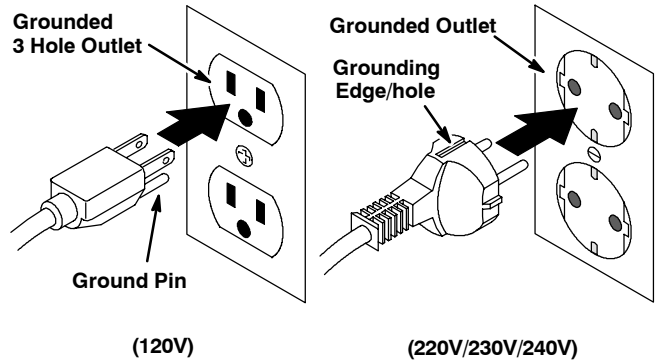
### FOR SAFETY:

1. Do not operate machine:
  - In flammable or explosive areas.
  - Unless trained and authorized.
  - Unless operator manual is read and understood.
  - Unless cord is properly grounded.
  - With damaged cord or plug.
  - If not in proper operating condition.
  - On wet or damp surfaces.
  - In outdoor areas.
  - Without bag and/or filters in place.
  - With the use of an extension cord.
2. Before operating machine:
  - Make sure all safety devices are in place and operate properly.
3. When using machine:
  - Do not pull machine by plug or cord.
  - Do not pull cord around sharp edges or corners.
  - Do not close doors on cord.
  - Do not unplug by pulling on cord.
  - Do not stretch cord.
  - Do not handle plug with wet hands.
  - Keep cord away from heated surfaces.
  - Do not pick up burning or smoking debris, such as cigarettes, matches or hot ashes.
  - Report machine damage or faulty operation immediately.
  - Never allow children to play on or around.
4. Before leaving or servicing machine:
  - Turn off machine.
  - Unplug cord from wall outlet.
5. When servicing machine:
  - Unplug cord from wall outlet.
  - Avoid moving parts. Do not wear loose jackets, shirts, or sleeves.
  - Use manufacturer supplied or approved replacement parts.
  - All repairs must be performed by a qualified service person.
  - Do not modify the machine from its original design.

# OPERATION

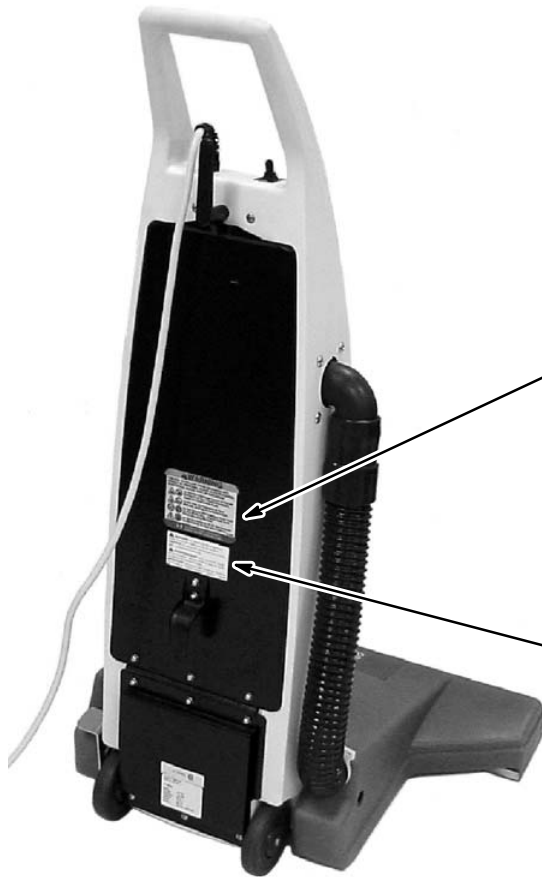
## GROUNDING INSTRUCTIONS

Machine must be grounded. If it should malfunction or breakdown, grounding provides a path of least resistance for electrical current to reduce the risk of electrical shock. This machine is equipped with a cord having an equipment-grounding conductor and grounding plug. The plug must be plugged into an appropriate outlet that is properly installed in accordance with all local codes and ordinances. Do not remove ground pin; if missing, replace plug before use.



## SAFETY LABELS

The safety labels appear on the machine in the locations indicated. Replace labels if they are missing or become damaged or illegible.



### WARNING LABEL - LOCATED ON BACK-SIDE OF MACHINE.

**⚠ WARNING**

FAILURE TO FOLLOW THESE WARNINGS MAY RESULT IN: PERSONAL INJURY, ELECTROCUTION, ELECTRICAL SHOCK, FIRE OR EXPLOSION.

- Do Not Use Flammable Liquids Or Operate Machine In Or Near Flammable Liquids, Vapors Or Combustible Dusts.
- Do Not Pick Up Flammable Or Toxic Materials, Burning Or Smoking Debris.
- Do Not Operate With Damaged Power Cord. Do Not Modify Plug. Unplug Power Cord Before Servicing Machine.
- Do Not Use Outdoors Or On Wet Surfaces. Do Not Expose To Rain. Store Indoors.

613280

FOR SAFETY: READ THE OWNER'S MANUAL BEFORE USING MACHINE.

**⚠ WARNING:** To reduce the risk of electrical shock - Do not use outdoors or on wet surfaces.

**CAUTION:** To reduce the risk of injury from moving parts - Unplug before servicing.

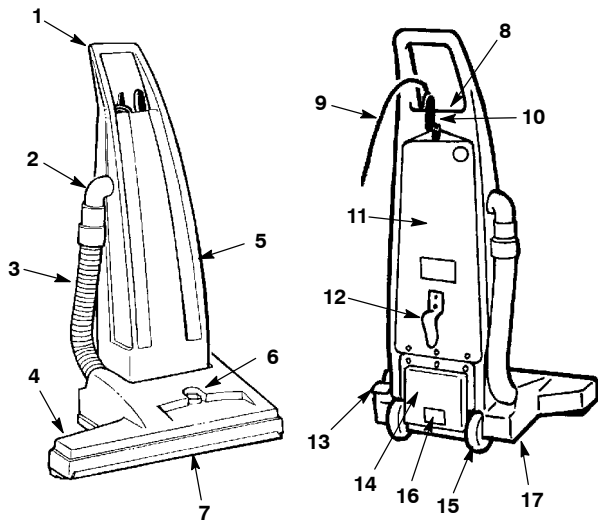
**⚠ AVERTISSEMENT:** Pour réduire les risques de choc électrique - Ne pas utiliser à l'extérieur et ne pas aspirer de matières humides.

**ATTENTION:** Pour éviter d'être blessé par les pièces en mouvement - Débrancher avant l'entretien. 602595

(120V MODEL)



## MACHINE COMPONENTS



1. Handle
2. Attachment Tool Elbow
3. Vacuum Hose
4. Brush Housing
5. Vacuum Bag Housing
6. Brush Height Adjustment Knob
7. Brush
8. ON/OFF Switch
9. 15m (50 ft) Power Cord
10. Door Latch/Upper Cord Hook
11. Rear Door
12. Lower Cord Hook
13. Handle Release Foot Latch
14. Exhaust Vent
15. Rear Wheels
16. Serial Number Tag
17. Brush Circuit Breaker (bottom side)

## MACHINE SETUP

1. Carefully check carton for signs of damage. Report damages at once to carrier.

**NOTE:** If rear door has become misaligned during shipment, loosen nuts at hinge, realign door and re-tighten nuts.

2. Vacuum is shipped fully assembled. A paper vacuum bag is factory installed and is ready for operation.

Attachment Tool Kit is sold separately. If cleaning with attachments see Attachment Tool Operation.

3. Plug power cord into grounded wall outlet (Figure 1).

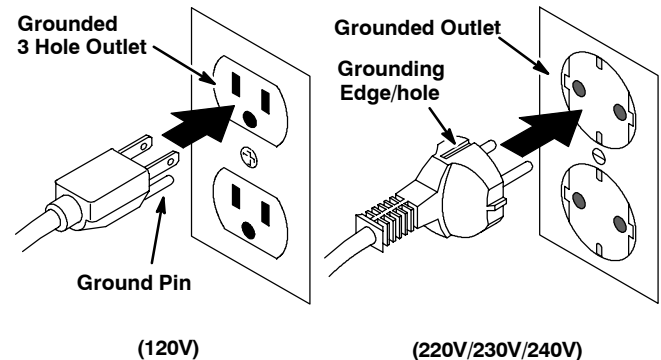


FIG. 1

**FOR SAFETY: Do not operate machine unless cord is properly grounded.**

**FOR SAFETY: Do not operate machine with the use of an extension cord.**

# OPERATION

## MACHINE OPERATION

**FOR SAFETY: Do not operate machine unless operator manual is read and understood.**

1. Always check to ensure a vacuum bag is installed. Replace bag if necessary (See Vacuum Bag Removal/Installation).

**ATTENTION: Never operate machine without a filter bag in place, vacuum motor damage will result.**

2. Lower handle to operating position by depressing handle release foot latch (Figure 2).

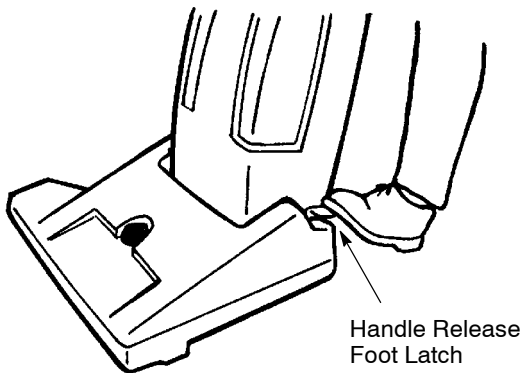


FIG. 2

3. Adjust brush height to suit carpet pile by turning brush height adjustment knob on brush housing (Figure 3).

**NOTE: Handle MUST be disengaged from upright position when adjusting brush for proper height.**

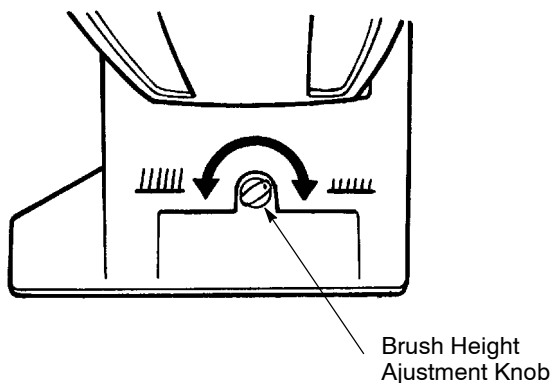


FIG. 3

4. Activate ON/OFF switch.
5. Operate by using normal vacuuming procedures, and check vacuum bag periodically for fullness.

**⚠ WARNING: Do Not Pick Up Flammable Or Toxic Materials, Burning Or Smoking Debris.**

6. For vacuuming under desks or other hard to reach places, lower handle to stop point and depress handle release foot latch once again. This enables for further handle lowering (Figure 4).

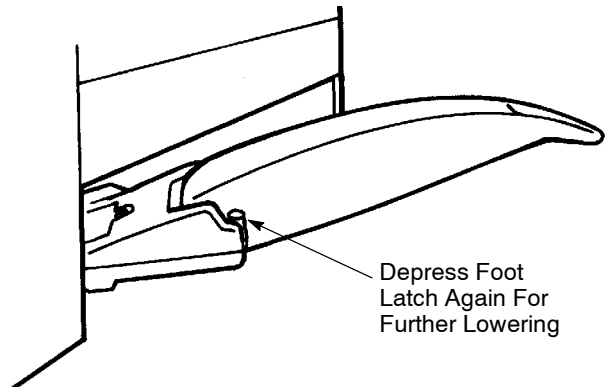


FIG. 4

### BRUSH CIRCUIT BREAKER

Vacuum is equipped with a resettable brush circuit breaker. Circuit breaker will trip under conditions of excessive brush overload. Periodically check brush for entangled carpet strands and debris. If circuit breaker should trip. Remove obstruction and reset circuit breaker switch by pushing button located under brush housing. Resume to normal operation (Figure 5).

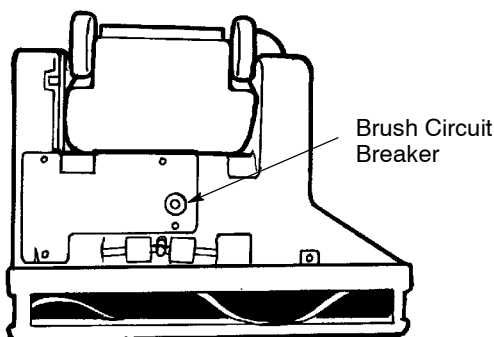


FIG. 5

**⚠ WARNING: Do Not Operate With Damaged Power Cord. Do Not Modify Plug. Unplug Power Cord Before Servicing Machine**

If the supply cord is damaged or broken, it must be replaced by the manufacturer or it's service agent or a similarly qualified person in order to avoid a hazard.

### VACUUM MOTOR THERMAL OVERLOAD

Internal temperature of vacuum motor is sensed at all times. When temperature gets too high sensor shuts off vacuum motor. Inspect vacuum for any air obstruction. Sensor will automatically reset when motor has cooled. Motor can then be re-started.

### ATTACHMENT TOOL OPERATION

Attachment Tool Kit is sold separately. (**Attachment Tool Kit #190048**) Includes: Crevice Tool, Dusting Brush, Upholstery Tool, 1.5m (5 ft) Vacuum Hose and Extension Wand.

1. Keep vacuum in the upright position at all times when using attachments.
2. Disconnect vacuum hose from elbow on handle housing.

3. Connect attachment tool vacuum hose to elbow and desired tool to opposite end (Figure 6).

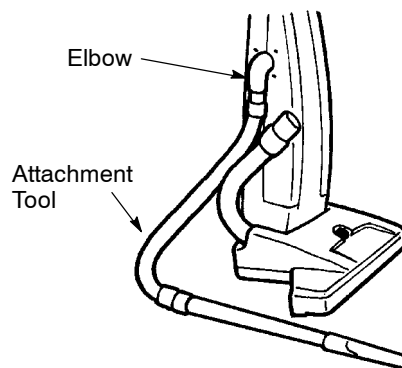


FIG. 6

4. Activate ON/OFF switch and operate tool using normal vacuuming procedures.

**⚠ WARNING: Do Not Pick Up Flammable Or Toxic Materials, Burning Or Smoking Debris.**

### VACUUM BAG REMOVAL/INSTALLATION

**⚠ WARNING: Do Not Operate With Damaged Power Cord. Do Not Modify Plug. Unplug Power Cord Before Servicing Machine**

1. Open rear door by turning door latch/upper cord hook 90° (Figure 7).

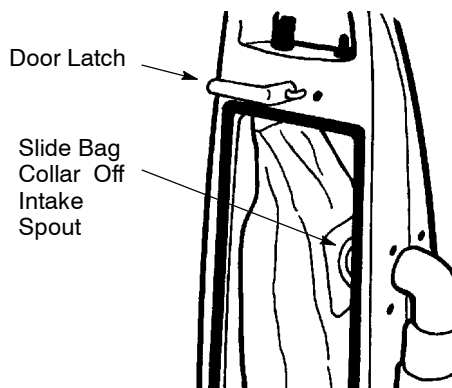


FIG. 7

2. Slide vacuum bag collar off intake spout.

**PAPER BAG:** Dispose paper bag when full. DO NOT reuse paper bag.

**CLOTH BAG:** Unclip end of bag and release debris into disposal container. Shake out excess dust and inspect for tears or holes.

3. Directly replace with new or empty cloth bag. Push bag onto intake spout as far as it will go.

# OPERATION

---

## MACHINE MAINTENANCE

---

**⚠ WARNING: Hazardous Voltage. Shock or electrocution can result. Unplug machine before servicing.**

### POWER CORD

1. Always wind power cord around cord hooks rather than loosely looped over handle. Should power cord become worn, replace immediately.
2. Inspect cord strain relief regularly to ensure that it is not pulling out of housing.

**FOR SAFETY: When using machine, do not pull cord around sharp edges or corners. Do not stretch cord. Do not close doors on cord. Do not unplug by pulling on cord. Keep cord away from heated surfaces.**

### VACUUM BAG

1. Check bag regularly for fullness. Do not over fill bag. Never reuse paper bag.
2. Always shake out excess dust after emptying cloth bag. Inspect for tears and holes.

### SECONDARY FILTER

#### STANDARD MODEL

1. Clean secondary filter weekly. Filter is located below vacuum bag area (*Figure 8*).

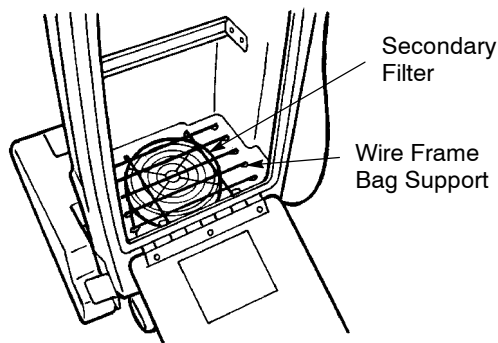


FIG. 8

- a. Remove vacuum bag to access secondary filter. Hinge wire frame bag support outwards.
- b. Remove filter from vacuum motor and tap or blow off dust build-up. DO NOT clean with water or solvent.
- c. When replacing filter be certain it snaps securely on motor.

#### 240V EMC MODEL

Clean secondary filter weekly. Filter is located below vacuum bag area (*Figure 9*).

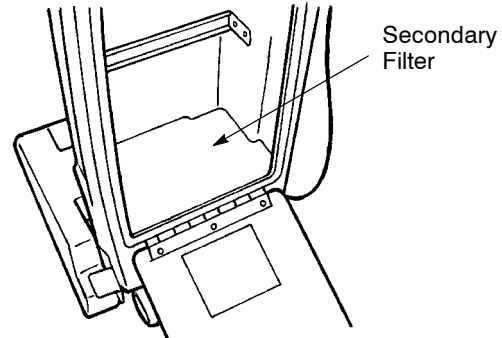


FIG. 9

- a. Remove vacuum bag to access secondary filter.
  - b. Remove filter and tap or blow off dust build-up. DO NOT clean with water or solvent.
2. Replace secondary filter if worn or not cleanable.

### BRUSH AND BELT

1. Inspect regularly for entangled carpet strands and debris.
2. Inspect brush bristles for wear periodically. If worn, adjust brush to extend its life as follows:
  - a. Remove metal brush shoe from brush housing. Philips screwdriver is required.
  - b. Remove brush assembly. Grip brush on opposite side of belt and pull outwards.
  - c. Inspect drive belt for wear, replace if necessary.

- d. Rotate both bearing blocks 180° and reinstall brush (Figure 10).

**NOTE:** Brush bearing blocks are labeled with numbers. To extend brush life, position label "2" outwards when reinstalling brush.

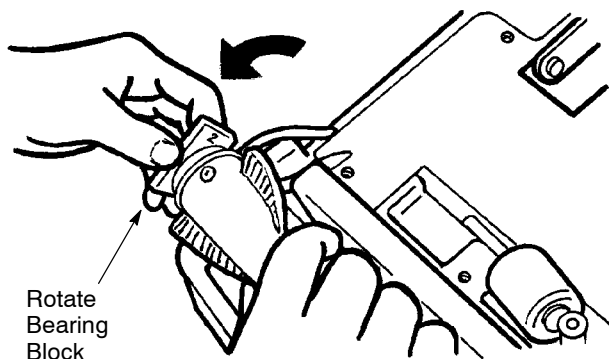


FIG. 10

- e. Replace metal brush shoe after brush is properly installed.

## OTHER

1. Inspect vacuum hose regularly for holes, loose cuffs or clogged debris.
2. Inspect rear door gasket regularly for leakage. Replace if worn.
3. Clean vacuum housing with damp cloth and mild soap.

## VACUUM MOTOR

Check Vacuum Motor carbon brush wear every 250 hours of use. Replace carbon brush when worn to 3/8" (1cm) or less in length. Vacuum motor damage due to carbon brush wear is not covered under warranty.

## STORING MACHINE

Before storing machine, neatly coil power cord, clean or replace filters and install a new filter bag. Store machine in a dry area.

**⚠ WARNING: Do Not Use Outdoors Or On Wet Surfaces. Do Not Expose to Rain. Store Indoors.**

## RECOMMENDED STOCK ITEMS

Refer to Parts List section for recommended stock items. Stock Items are clearly identified with a bullet preceding the parts description. See example below:

Ref.	Part No.	Description	Qty.
1	701103	ASM., STANDPIPE	1
2	180613	•FLOAT, SHUTOFF	1
3	230187	NIPPLE	1
4	101714	•GASKET	1
5	210240	NUT, FLANGED	1

# OPERATION

## TROUBLE SHOOTING

PROBLEM	CAUSE	SOLUTION
Machine does not operate.	ON/OFF switch is OFF.	Turn switch to ON.
	Vacuum not plugged to wall outlet.	Plug power cord to wall outlet.
	Faulty power cord.	Contact Service Center.
	Faulty ON/OFF Switch.	Contact Service Center.
	Faulty wiring.	Contact Service Center.
	Building circuit breaker tripped.	Reset circuit breaker and change to different power circuit.
Vacuum motor does not operate.	Sensor temperature too high.	Find air obstruction. Let motor cool for 20 minutes.
Brush does not operate.	Brush circuit breaker tripped.	Determine what caused breaker to trip then reset breaker.
Low suction	Vacuum bag full.	Replace bag.
	Vacuum hose plugged.	Remove obstruction.
	Secondary filter plugged.	See MAINTENANCE; Secondary Filter.
	Rear door gasket leakage.	Replace gasket.
Poor brush pick-up.	Brush height adjusted incorrectly.	Adjust brush height.
	Clogged brush	Remove clogged material.
	Worn brush bristles.	See MACHINE MAINTENANCE; Brush and Belt.
	Loose drive belt.	Inspect belt, replace if needed.

## SPECIFICATIONS

MODEL	MAGNA TWIN™ 1600	MAGNA TWIN™ 2200	MAGNA TWIN™ 2600
LENGTH	480 mm (19 in)	480 mm (19 in)	480 mm (19 in)
WIDTH	400 mm (16 in)	560 mm (22 in)	660 mm (26 in)
HEIGHT	1120 mm (44 in)	1120 mm (44 in)	1120 mm (44 in)
WEIGHT	17.6Kg (38 lbs)	19.5Kg (42 lbs)	20.4Kg (44 lbs)
BRUSH MOTOR	120V, 0.125hp, 1A, 1800 rpm	120V, 0.125 hp, 1A, 1,800 rpm	120V, 0.125 hp, 1A, 1,800 rpm
	220V, 0.15kW, .5A, 1800 rpm	220V, 0.15kW, .5A, 1800 rpm	220V, 0.15kW, .5A, 1800 rpm
VACUUM MOTOR	120V, 1 hp, 6.8A	120V, 1 hp, 6.8 amps	120V, 1.5 hp, 9.8 amps
POWER CORD LENGTH	15m (50 ft) Gauge-16/3	15m (50 ft) Gauge-16/3	15m (50 ft) Gauge-16/3
SWEEPING PATH	355 mm (14 in)	508 mm (20 in)	610 mm (24 in)
VACUUM BAG	10 L (.33 bushel)	10 L (.33 bushel)	10 L (.33 bushel)
DECIBEL RATING AT OPERATOR'S EAR, INDOORS ON CARPET	74dB(A)	74dB(A)	74dB(A)

## **INSTRUCCIONES IMPORTANTES DE SEGURIDAD**

Deben observarse siempre instrucciones básicas de seguridad al usar artefactos eléctricos incluyendo las siguientes:

### **LEER TODAS LAS INSTRUCCIONES DE SEGURIDAD ANTES DE USAR (ESTE ARTEFACTO)**

**ADVERTENCIA:** Para reducir el riesgo de incendio, choque eléctrico o lesiones:

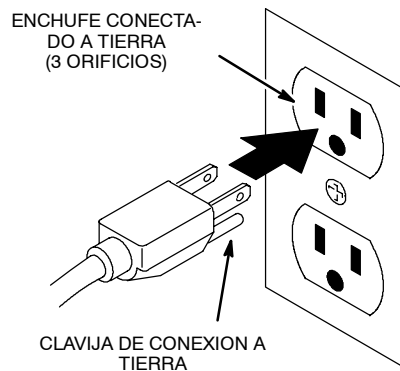
1. No dejar el artefacto desatendido cuando está enchufado. Desenchufar del tomacorrientes cuando no se usa y antes de prestar servicio.
2. No permitir que se use como un juguete. Se requiere mucha atención cuando se usa por o cerca de los niños.
3. Usar sólo según se describe en este manual. Usar sólo los aditamentos recomendados por el fabricante.
4. No usar con un cordón o enchufe dañados. Si el artefacto no está funcionando correctamente, se ha caído, está averiado, se ha dejado al aire libre, o se ha caído en el agua, devolverlo al centro de servicio.
5. No tirar de ni arrastrar por el cordón, no usar el cordón como un mango, no cerrar la puerta sobre el cordón ni tirar del cordón sobre bordes o esquinas aguzadas. No pasar el artefacto sobre el cordón. Mantener el cordón alejado de superficies calientes.
6. No desenchufar tirando del cordón. Para desenchufar, sujetar el enchufe, no el cordón.
7. No manejar el enchufe o el artefacto con las manos mojadas.
8. No colocar objetos en las aberturas. No usar con aberturas bloqueadas, mantener libre de polvo, pelusa, cabellos y todo lo que pueda reducir el flujo de aire.
9. Mantener el cabello, ropas holgadas, dedos, y todas las partes del cuerpo alejadas de las aberturas y piezas móviles.
10. Antes de desenchufar apagar todos los controles.
11. Ser muy precavido al limpiar sobre escaleras.
12. No usar para aspirar líquidos inflamables o combustibles tales como gasolina o usar en áreas donde puedan estar presentes.
13. No aspirar nada que se esté quemando o esté humeando tal como cigarrillos, fósforos o cenizas calientes.
15. No usar al aire libre ni sobre superficies mojadas.
16. No usar sin que la bolsa colectora de polvo y/o los filtros estén colocados en su lugar.

## INSTRUCCIONES DE CONEXION A TIERRA

Este artefacto debe conectarse a tierra. Si funciona mal o se descompone, la conexión a tierra provee una trayectoria de menor resistencia para la corriente eléctrica, para reducir el riesgo de choque eléctrico. Este artefacto está provisto con un cordón que tiene un conductor de conexión a tierra del equipo y un enchufe de conexión a tierra. El enchufe debe enchufarse a un tomacorrientes apropiado que esté correctamente instalado y conectado a tierra de acuerdo con todos los códigos y ordenanzas locales.

**⚠ ADVERTENCIA:** La conexión incorrecta del conductor de conexión a tierra del equipo puede resultar en un riesgo de choque eléctrico. Consultar con un electricista calificado o persona de servicio si existen dudas acerca de si el tomacorrientes está correctamente conectado a tierra. No se debe modificar el enchufe provisto con el artefacto - si no se inserta en el tomacorrientes hacer que un electricista calificado instale un tomacorrientes correcto.

Este artefacto es para usar en un circuito nominal de 120 voltios y tiene un enchufe de aditamento para conectar a tierra que se parece al enchufe ilustrado en la figura. Asegurarse que el artefacto esté conectado a un tomacorrientes con la misma configuración que el enchufe. No se debe usar un adaptador con este artefacto.





Este manual se proporciona con cada nuevo modelo. Proporciona instrucciones necesarias de mantenimiento y lista ilustrada de piezas.

**Antes de operar o prestar servicio a la máquina, lea completamente este manual y entienda la máquina.**

Para ordenar piezas use las Listas Ilustradas de las Piezas. Asegúrese de tener listo el número de modelo y de serie de la máquina, antes de ordenar piezas o suministros. Las piezas y suministros pueden ordenarse por teléfono o por correo de cualquier centro autorizado de piezas y servicio, distribuidor o de cualquiera de las subsidiarias del fabricante.

Esta máquina proporcionará un servicio excelente. Sin embargo, los mejores resultados se obtienen a un costo mínimo si:

- La máquina se opera con un cuidado razonable.
- La máquina se mantiene con regularidad, según las instrucciones de mantenimiento provistas.
- La máquina se mantiene con las piezas provistas por el fabricante o equivalentes.

## Tennant Company

PO Box 1452

Minneapolis, MN 55440

Phone: (800) 553-8033 or (763) 513-2850

www.nobles.com

## DATOS DE LA MAQUINA

Por favor complete al momento de la instalación para referencia futura.

No. de Modelo- \_\_\_\_\_

Fecha de instalación - \_\_\_\_\_

No. de Serie- \_\_\_\_\_

©2001, 2004 Tennant Company

Printed in U.S.A.

Nobles is a registered United States trademark of Tennant Company.

Magna Twin is a United States trademark of Tennant Company.

## ÍNDICE

<b>MEDIDAS DE SEGURIDAD</b> .....	<b>18</b>	CEPILLO Y CORREA .....	25
INSTRUCCIONES PARA LA CONEXIÓN A		OTROS .....	25
LA TOMA DE TIERRA .....	19	MOTOR DE ASPIRACIÓN .....	25
<b>ETIQUETAS DE ADVERTENCIA</b> .....	<b>20</b>	ALMACENAMIENTO DE LA MÁQUINA ....	25
<b>COMPONENTES DE LA MÁQUINA</b> .....	<b>21</b>	<b>ARTICULOS RECOMENDADOS PARA</b>	
<b>INSTALACIÓN DE LA MÁQUINA</b> .....	<b>21</b>	<b>MANTENER EN EXISTENCIA</b> .....	<b>25</b>
<b>FUNCIONAMIENTO DE LA MÁQUINA</b> .....	<b>22</b>	<b>LOCALIZACIÓN DE AVERÍAS</b> .....	<b>26</b>
CORTACIRCUITOS DEL CEPILLO .....	23	<b>ESPECIFICACIONES</b> .....	<b>27</b>
SOBRECARGA TÉRMICA DEL MOTOR		<b>DIAGRAMAS ELECTRICAS</b> .....	<b>28</b>
DEL ASPIRADOR .....	23	<b>LISTA DE PIEZAS</b> .....	<b>30</b>
<b>FUNCIONAMIENTO DE LOS ACCESORIOS</b> ...	<b>23</b>	PIEZAS DE SUPERIOR .....	30
<b>EXTRACCIÓN / INSTALACIÓN DE</b>		PIEZAS DE SUPERIOR - CONT. ....	32
<b>LA BOLSA</b> .....	<b>23</b>	PIEZAS DE INFERIOR .....	34
<b>MANTENIMIENTO DE LA MÁQUINA</b> .....	<b>24</b>	CONJUNTO DE CEPILLO .....	36
CABLE ELÉCTRICO .....	24	<b>OPCIONES</b> .....	<b>37</b>
BOLSA PARA DESPERDICIOS .....	24	JUEGO ACCESORIO .....	37
FILTRO SECUNDARIO .....	24	JUEGO FILTRO .....	38

---


## MEDIDAS DE SEGURIDAD

---

Esta máquina está destinada solamente al uso comercial. Está diseñada exclusivamente para recoger suciedad, escombros secos y polvo de interiores y no está indicada para ningún otro uso. La recogida de cualquier líquido o polvo peligroso/tóxico está prohibida. Utilice solamente los accesorios recomendados.

Todos los operadores deben leer, entender y practicar las precauciones siguientes de seguridad.


El siguiente símbolo de alerta de advertencia y el encabezamiento de "PARA SEGURIDAD" se usan en este manual como se indica en su descripción:

 **ADVERTENCIA:** Para advertir de riesgos o prácticas inseguras que podrían resultar en lesiones personales graves o la muerte.


**PARA SEGURIDAD:** Para identificar acciones que deben seguirse para el funcionamiento seguro del equipo.


---

El no seguir estas advertencias puede resultar en: lesiones personales, electrocución, choque eléctrico, fuego o explosión.


 **ADVERTENCIA:** No use líquidos inflamables ni opere la máquina en o cerca de líquidos y vapores inflamables o polvos combustibles.

Esta máquina no está equipada con motores a prueba de explosión. Los motores eléctricos emiten chispas al arrancar y durante el funcionamiento lo que podría causar un fuego explosivo o explosión si la máquina se usa en una área donde están presentes vapores/líquidos inflamables o polvos combustibles.

 **ADVERTENCIA:** No recoja materiales tóxicos o inflamables ni residuos humeantes o ardiendo.

 **ADVERTENCIA:** No opere con un cordón eléctrico dañado. No modifique el enchufe. Desenchufe el cordón eléctrico antes de reparar la máquina.

Si el cordón del suministro se daña o se rompe, debe ser reemplazado por el fabricante o su agente de servicio o una persona similarmente calificada para evitar un riesgo.

 **ADVERTENCIA:** No utilice la máquina al aire libre ni en superficies mojadas. No exponga la máquina a la lluvia. Almacén bajo techo.

---

La información siguiente señala condiciones potencialmente peligrosas para el operador o el equipo:

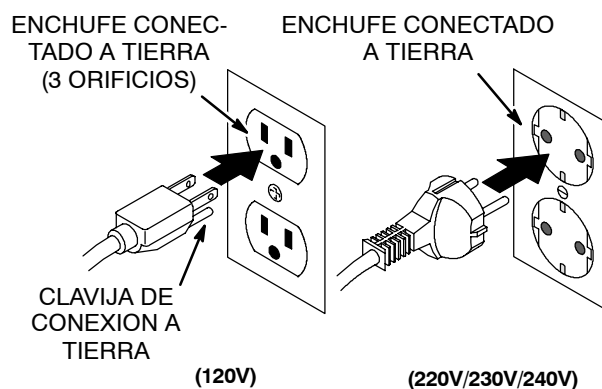
**PARA SEGURIDAD:**

1. No opere la máquina:
  - En zonas inflamables o donde puedan producirse explosiones.
  - A menos que está capacitado y autorizado.
  - A menos que se haya leído y entendido el manual del funcionamiento.
  - A menos que el cordón se conecte apropiadamente a tierra.
  - Con un cordón o enchufe dañados.
  - Si no está en condición de ejecutar una operación apropiada.
  - Sobre superficies mojadas o húmedas.
  - En áreas al aire libre.
  - Sin haber colocado los filtros y/o la bolsa.
  - Sin bolsa del polvo en lugar.
2. Antes de arrancar la máquina:
  - Asegúrese que todos los dispositivos de seguridad están en su lugar y operando apropiadamente.
3. Al usar máquina:
  - No tire de la máquina por el enchufe o el cordón.
  - Evite pasar el cable por bordes agudos o esquinas.
  - No cierra las puertas sobre el cordón.
  - No desenchufe tirando del cordón.
  - No estire el cordón.
  - No maneje el enchufe con las manos húmedas.
  - Mantenga el cordón lejos de las superficies calientes.
  - No recoja restos ardiendo o humeantes como cigarrillos, cerillas o cenizas calientes.
  - Informe inmediatamente acerca de daños o un funcionamiento defectuoso.
  - Nunca permita que los niños jueguen en o alrededor de la máquina.

4. Antes de salir de o reparar la máquina:
  - Apague la máquina.
  - Desenchufe cordón del tomacorriente de la pared.
5. Al prestar servicio a la máquina:
  - Desenchufe cordón del tomacorriente de la pared.
  - Evite las piezas móviles. No use chaquetas, camisas, o mangas, holgadas.
  - Use piezas de repuesto provistas o aprobadas por el fabricante.
  - Todas las reparaciones deben ser realizadas por una persona de servicio calificada.
  - No modifique la máquina de su diseño original.

## INSTRUCCIONES PARA LA CONEXIÓN A LA TOMA DE TIERRA

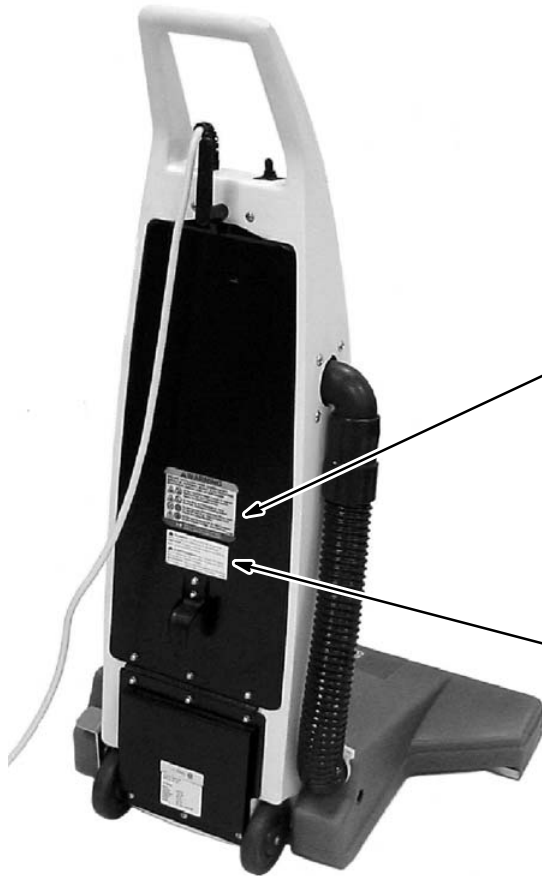
La máquina debe estar conectada a una toma de tierra. Esta toma de tierra proporciona el camino de menor resistencia a la corriente eléctrica para reducir el riesgo de descarga eléctrica en caso de funcionamiento incorrecto o avería. El cable eléctrico de esta máquina está equipado con un conductor de toma de tierra para el equipo y un enchufe con toma de tierra. Conecte el enchufe a una toma eléctrica cuya instalación cumpla las ordenanzas y regulaciones locales.



# OPERACIÓN

## ETIQUETAS DE SEGURIDAD

Las etiquetas de advertencia aparecen en la máquina en las ubicaciones indicadas. Reemplace las etiquetas si se dañan o son ilegibles.



**ADHESIVO DE ADVERTENCIA** – Situado en la parte trasera de la máquina.

**⚠ WARNING**

FAILURE TO FOLLOW THESE WARNINGS MAY RESULT IN: PERSONAL INJURY, ELECTROCUTION, ELECTRICAL SHOCK, FIRE OR EXPLOSION.

-   Do Not Use Flammable Liquids Or Operate Machine In Or Near Flammable Liquids, Vapors Or Combustible Dusts.
-   Do Not Pick Up Flammable Or Toxic Materials, Burning Or Smoking Debris.
-   Do Not Operate With Damaged Power Cord. Do Not Modify Plug. Unplug Power Cord Before Servicing Machine.
-   Do Not Use Outdoors Or On Wet Surfaces. Do Not Expose To Rain. Store Indoors. 613280

 FOR SAFETY: READ THE OWNER'S MANUAL BEFORE USING MACHINE.

**⚠ WARNING:** To reduce the risk of electrical shock - Do not use outdoors or on wet surfaces.

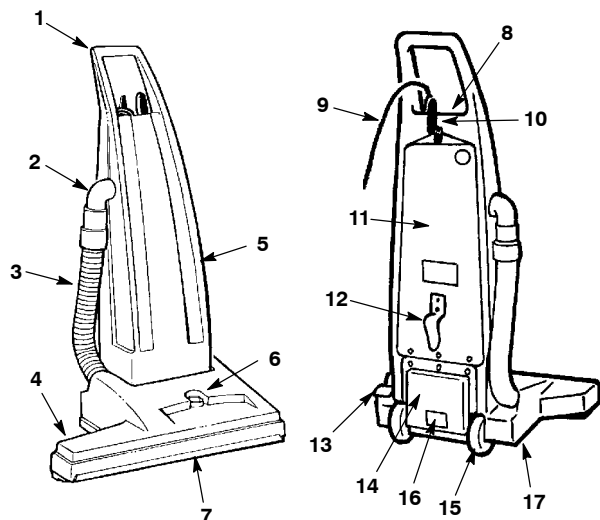
**CAUTION:** To reduce the risk of injury from moving parts - Unplug before servicing.

**⚠ AVERTISSEMENT:** Pour réduire les risques de choc électrique - Ne pas utiliser à l'extérieur et ne pas aspirer de matières humides.

**ATTENTION:** Pour éviter d'être blessé par les pièces en mouvement - Débrancher avant l'entretien. 602595

(MODELO 120V)

## COMPONENTES DE LA MÁQUINA



1. Mando
2. Codo de acoplamiento
3. Manguera de aspiración
4. Caja del cepillo
5. Caja de la bolsa
6. Botón de ajuste de la altura del cepillo
7. Cepillo
8. Interruptor de ENCENDIDO/APAGADO
9. Cable eléctrico de 15 m (50')
10. Pestillo de la cubierta/ Enganche superior para el cable
11. Cubierta trasera
12. Enganche inferior para el cable
13. Pedal de liberación del mando
14. Ventilador de expulsión
15. Ruedas traseras
16. Etiqueta con el número de serie
17. Cortacircuitos del cepillo  
(situado en el lado inferior de la caja del cepillo)

## INSTALACIÓN DE LA MÁQUINA

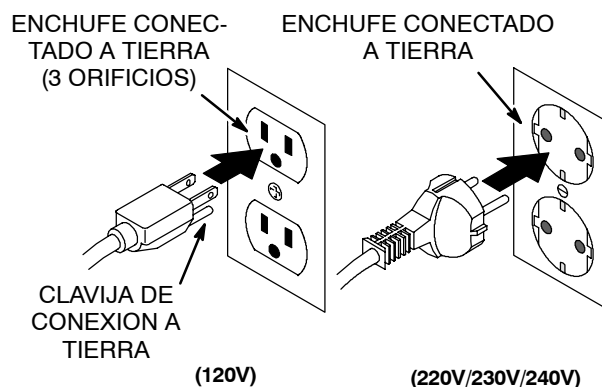
1. Compruebe cuidadosamente si el embalaje presenta desperfectos. Informe inmediatamente al transportista de dichos desperfectos.

**NOTA:** Si la cubierta trasera se ha desalineado durante el transporte, afloje las tuercas de la bisagra, alinee de nuevo la cubierta y vuelva a fijar las tuercas.

2. Aspirador se ha transportado totalmente montado. La bolsa de papel también viene instalada de fábrica y el aspirador está listo para su utilización.

El juego de accesorios se vende por separado. Para la limpieza con accesorios consulte el apartado de Funcionamiento de los accesorios.

3. Enchufe el cable en la toma de la pared.



**PARA SU SEGURIDAD: No utilice la máquina salvo que el cable eléctrico tenga una toma de tierra que funcione correctamente.**

**PARA SU SEGURIDAD: No utilice la máquina con un cable eléctrico alargador.**

# OPERACIÓN

## FUNCIONAMIENTO DE LA MÁQUINA

**PARA SU SEGURIDAD:** No utilice la máquina salvo que haya leído y comprendido el manual de instrucciones.

1. Asegúrese siempre de que hay una bolsa instalada. Sustituya la bolsa en caso necesario. (Consulte el apartado de Extracción / Instalación de la bolsa).

**ATENCIÓN:** No utilice nunca la máquina sin bolsa instalada, averiaría el motor de aspiración.

2. Baje el mando hasta la posición de funcionamiento pisando el pedal de liberación del mando (Figura 1).

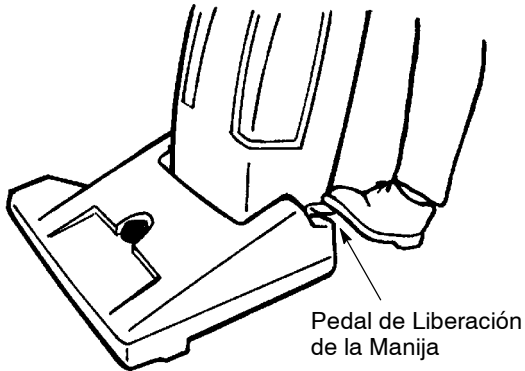


FIG. 1

3. Ajuste la altura del cepillo a la de la alfombra girando el botón de ajuste situado en la caja del cepillo (Figura 2).

**NOTA:** El mando debe encontrarse FUERA de la posición vertical al ajustar el cepillo a la altura adecuada.

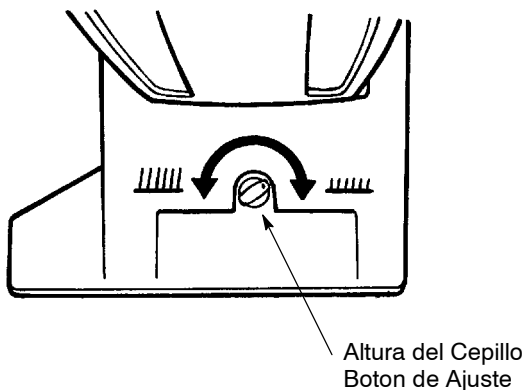


FIG. 2

4. Active el interruptor de ENCENDIDO/APAGADO.
5. Utilice la máquina como lo haría normalmente y compruebe periódicamente si la bolsa está llena.

**⚠ ADVERTENCIA:** No recoja materiales tóxicos o inflamables ni residuos humeantes o ardiendo.

6. Para limpiar debajo de mostradores u otros lugares de difícil acceso, baje el mando hasta el punto de parada y pise de nuevo el pedal de liberación del mando. Esto permite bajar el mando aún más (Figura 3).

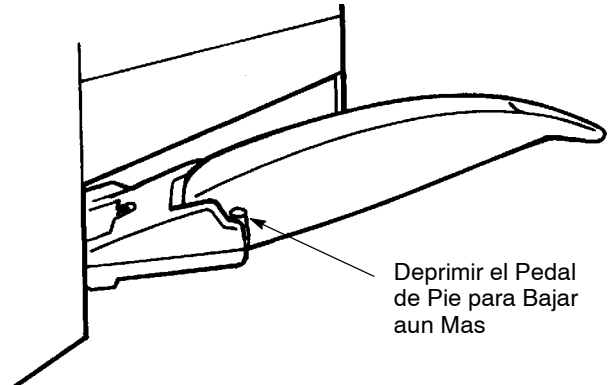


FIG. 3

## CORTACIRCUITOS DEL CEPILLO

El aspirador presenta un cortacircuitos del cepillo. Este cortacircuitos se activa al sobrecargar el cepillo. Compruebe periódicamente si existen hilos de alfombras o desperdicios enredados en el cepillo. En caso de que sea así, se activará el cortacircuitos. Retire la obstrucción y reajuste el interruptor del cortacircuitos pulsando el botón situado debajo de la caja del cepillo. Reanude el funcionamiento normal (Figura 4).

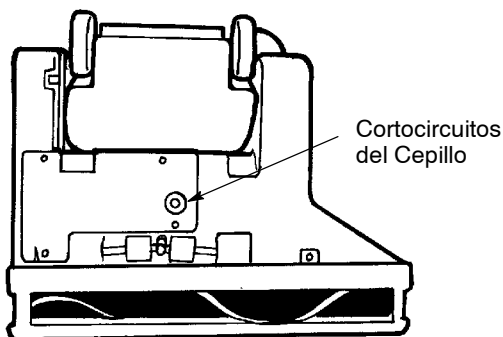


FIG. 4

**⚠ ADVERTENCIA:** No opere con un cordón eléctrico dañado. No modifique el enchufe. Desenchufe el cordón eléctrico antes de reparar la máquina.

Si el cordón del suministro se daña o se rompe, debe ser reemplazado por el fabricante o su agente de servicio o una persona similarmente calificada para evitar un riesgo.

## SOBRECARGA TÉRMICA DEL MOTOR DEL ASPIRADOR

Existe un sensor que controla la temperatura interna del motor del aspirador en todo momento. Cuando dicha temperatura es demasiado elevada, el sensor detiene el motor del aspirador. Controle si existe algo que obstruya el flujo del aire del aspirador. El sensor se reajustará automáticamente al enfriarse el motor. A continuación puede volver a poner el motor en marcha.

## FUNCIONAMIENTO DE LOS ACCESORIOS

El juego de accesorios se vende separadamente (**Juego de accesorios #190048**) e incluye boquilla para hendiduras, cepillo para polvo, boquilla para tapicerías, manguera de aspiración de 1.5 m (5 ft) y un tubo extensor.

1. Mantenga el aspirador en posición vertical siempre que utilice estos accesorios.
2. Desconecte la manguera de aspiración del codo de la caja del mando.
3. Conecte la manguera de aspiración al codo y el accesorio deseado en el otro extremo (Figura 5).

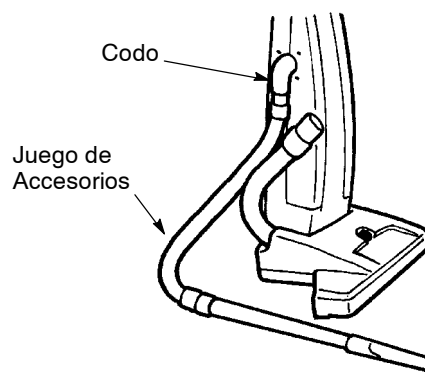


FIG. 5

4. Encienda el interruptor de ENCENDIDO/APAGADO y utilice el aspirador normalmente.

**⚠ ADVERTENCIA:** No recoja materiales tóxicos o inflamables ni residuos humeantes o ardiendo.

## EXTRACCIÓN / INSTALACIÓN DE LA BOLSA

**⚠ ADVERTENCIA:** No opere con un cordón eléctrico dañado. No modifique el enchufe. Desenchufe el cordón eléctrico antes de reparar la máquina.

# OPERACIÓN

1. Abra la cubierta trasera girando 90° el pestillo de la cubierta / el enganche superior del cable (Figura 6).

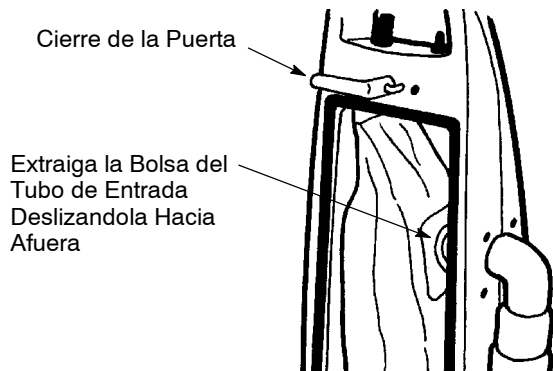


FIG. 6

2. Extraiga la bolsa del tubo de entrada deslizándola hacia afuera.

**BOLSA DE PAPEL:** Tire la bolsa de papel cuando esté llena. No reutilice las bolsas de papel.

**BOLSA DE TELA:** Abra el extremo de la bolsa y vacíe su contenido en un contenedor de basura. Sacuda la bolsa para eliminar el exceso de polvo y compruebe si existen desgarrones o agujeros.

3. Coloque directamente una bolsa de papel nueva o la bolsa de tela vacía. Coloque la bolsa sobre el tubo de entrada y empuje todo lo que pueda.

## MANTENIMIENTO DE LA MÁQUINA

**⚠ ADVERTENCIA: Alta tensión. Existe riesgo de electrocución o descarga eléctrica. Desenchufe siempre la máquina antes de realizar cualquier revisión.**

### CABLE ELÉCTRICO

1. Recoja siempre el cable eléctrico y enróllelo alrededor de los enganches dispuestos para esto. No deje el cable suelto por encima del mando. En caso de que el cable se deteriore, sustitúyalo inmediatamente.
2. Compruebe periódicamente que el cable no esté tirante para asegurarse de que no se salga de la caja.

## BOLSA PARA DESPERDICIOS

1. Compruebe periódicamente si la bolsa está llena. No llene la bolsa en exceso. Nunca reutilice una bolsa de papel.
2. Después de vaciar una bolsa de tela, sacúdala siempre para eliminar el exceso de polvo. Compruebe que no tiene desgarrones ni agujeros.

## FILTRO SECUNDARIO

### MODELO ESTÁNDAR

1. Limpie semanalmente el filtro secundario. El filtro se encuentra debajo de la zona de la bolsa de desperdicios (Figura 7).

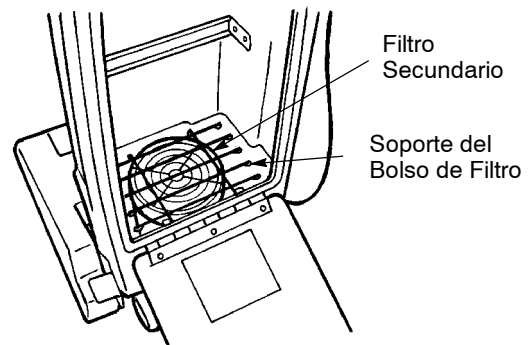


FIG. 7

- a. Retire la bolsa de desperdicios para tener acceso al filtro secundario. Desplace hacia afuera el soporte de la bolsa.
- b. Extraiga el filtro del motor de aspiración y golpéelo ligeramente o límpielo con aire para eliminar el polvo acumulado. NO utilice agua ni disolvente para la limpieza.
- c. Al instalar de nuevo el filtro, asegúrese de encajarlo bien en el motor.

### MODELO 240V EMC

Limpie semanalmente el filtro secundario. El filtro se encuentra debajo de la zona de la bolsa de desperdicios (Figura 8).

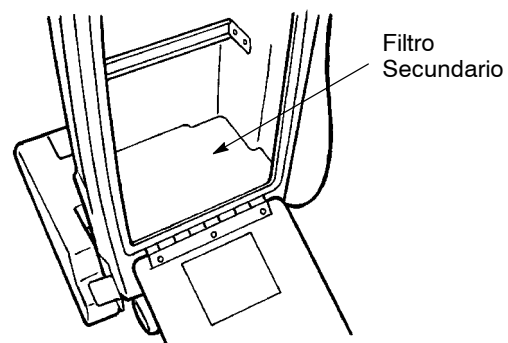


FIG. 8



- a. Retire la bolsa de desperdicios para tener acceso al filtro secundario.
  - b. Extraiga el filtro del motor de aspiración y golpéelo ligeramente o límpielo con aire para eliminar el polvo acumulado. NO utilice agua ni disolvente para la limpieza.
2. Sustituya el filtro secundario si está gastado o no se puede limpiar.

## CEPILLO Y CORREA

1. Compruebe periódicamente que no haya hilos o desperdicios enredados.
2. Compruebe periódicamente el desgaste y deterioro de las cerdas del cepillo. Ajuste el cepillo como se indica a continuación para alargar su vida útil.
  - a. Retire la zapata metálica del cepillo de la caja del cepillo. Para esto necesita un destornillador Philips.
  - b. Extraiga el conjunto del cepillo. Sujete el cepillo o el lado opuesto de la correa y tire hacia afuera.
  - c. Compruebe el desgaste de la correa de transmisión y sustitúyala en caso necesario.
  - d. Gire 180° ambos bloques de cojinetes y instale de nuevo el cepillo (Figura 9).

**NOTA:** Los bloques de los rodamientos del cepillo están rotulados con números. Colocar en posición el rótulo "2" hacia afuera para reinstalar el cepillo, para prolongar la vida del cepillo.

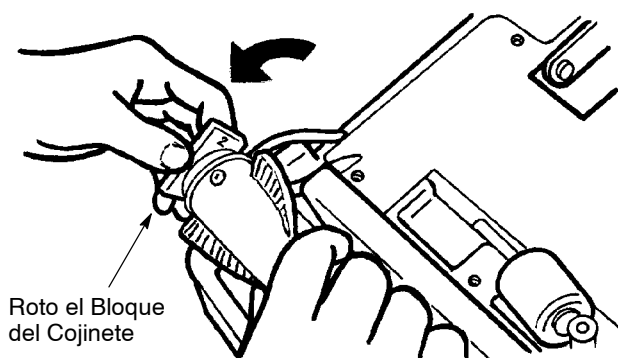


FIG. 9

- e. Después que el cepillo se ha instalado correctamente, volver a colocar la zapata de metal del cepillo.

## OTROS

1. Controle periódicamente si la manguera de aspiración muestra orificios, está enrollada o bloqueada por desperdicios.
2. Controle periódicamente si la junta de la cubierta trasera sufre escapes. Sustitúyala si está deteriorada.
3. Limpie la caja de aspiración con un paño húmedo y detergente suave.

## MOTOR DE ASPIRACIÓN

Cada 250 horas de uso inspeccione el motor de aspiración, por desgaste de las escobillas de carbón. Reemplace las escobillas si se han gastado a un largo de 10mm (0.38 pul.) o menos.

## ALMACENAMIENTO DE LA MÁQUINA

Antes de guardar la máquina, enrolle cuidadosamente el cable eléctrico, limpie o sustituya los filtros e instale una bolsa nueva. Guarde la máquina en una zona limpia y seca.

**⚠️ ADVERTENCIA:** No utilice la máquina al aire libre ni en superficies mojadas. No exponga la máquina a la lluvia. Almacén bajo techo.

## ARTICULOS RECOMENDADOS PARA MANTENER EN EXISTENCIA

Refiérase a la sección de Lista de Piezas para los artículos recomendados en existencia. Los artículos en existencia están claramente identificados con una bala precediendo a la descripción de las piezas. Vea el ejemplo de abajo:

Ref.	Part No.	Description	Qty.
1	701103	ASM., STANDPIPE	1
2	190619	●FLOAT, SHUTOFF	1
3	230197	NIPPLE	1
4	101714	●GASKET	1
5	210240	NUT, FLANGED	1

# OPERACIÓN

## LOCALIZACIÓN DE AVERÍAS

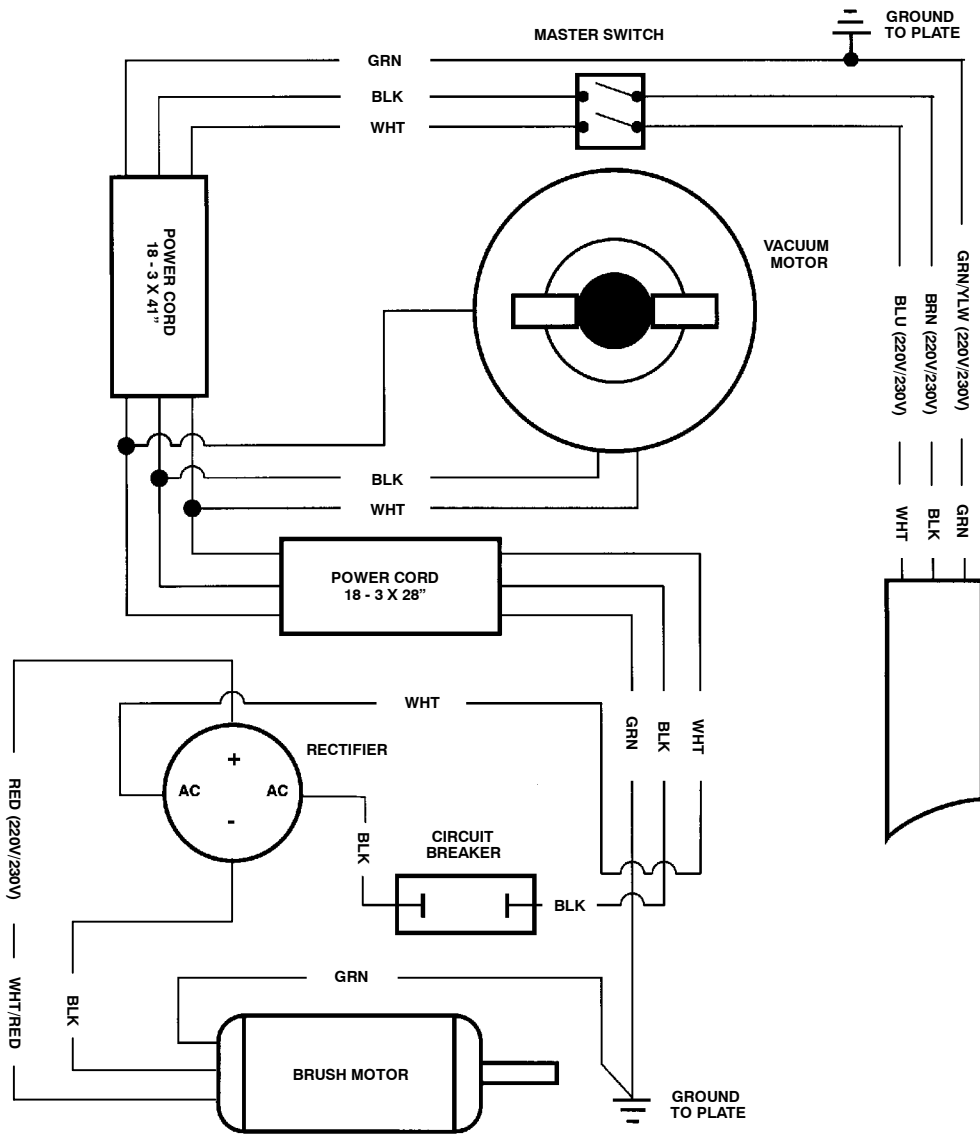
PROBLEMA	CAUSA	SOLUCIÓN
El aspirador no funciona.	El interruptor de ENCENDIDO/ APAGADO está APAGADO.	Enchufar el interruptor.
	Aspirador desenchufado.	Enchufar la máquina a la toma de la pared.
	Cable eléctrico defectuoso.	Contactar con el Servicio Técnico.
	Interruptor de ENCENDIDO/APAGADO defectuoso.	Contactar con el Servicio Técnico.
	Cableado defectuoso.	Contactar con el Servicio Técnico.
	Cortacircuitos del edificio activado.	Reajustar el cortacircuitos y cambiar a otro circuito eléctrico diferente.
El motor de aspiración no funciona.	El sensor detecta una temperatura excesivamente elevada.	Encontrar la obstrucción de aire. Dejar que el motor se enfríe durante 20 minutos.
El cepillo no funciona.	Cortacircuitos del cepillo activado.	Determinar la causa de la activación del cortacircuitos y reajustar a continuación dicho cortacircuitos.
Aspiración insuficiente.	Bolsa llena.	Sustituir la bolsa.
	Manguera de aspiración bloqueada.	Eliminar la obstrucción.
	Filtro secundario bloqueado.	Contactar con el Servicio Técnico.
	Escape en la junta de la cubierta trasera.	Sustituir la junta.
Recogida del cepillo insuficiente.	Ajuste incorrecto de la altura del cepillo.	Ajustar la altura del cepillo.
	Cepillo bloqueado.	Eliminar la obstrucción.
	Cerdas de cepillo gastadas.	Consultar el apartado de Cuidado de la Máquina; Cepillo.
	Correa de transmisión floja.	Contactar con el Servicio Técnico.

**ESPECIFICACIONES**

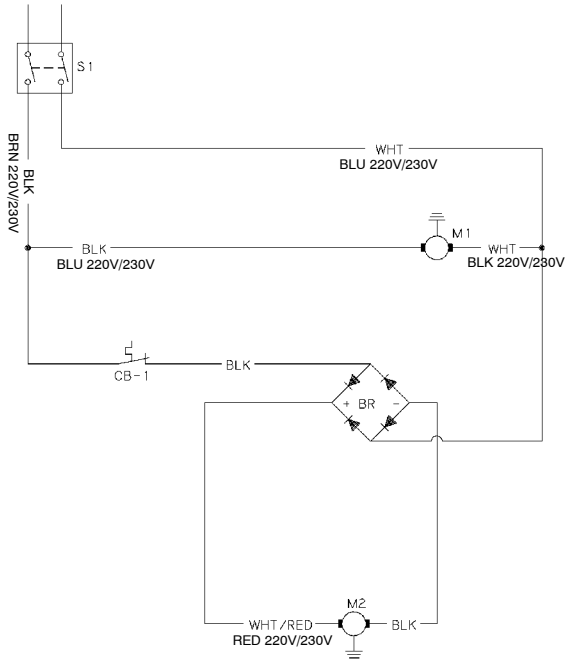
<b>MODELO</b>	<b>MAGNA TWIN™ 1600</b>	<b>MAGNA TWIN™ 2200</b>	<b>MAGNA TWIN™ 2600</b>
LONGITUD	480 mm (19 in)	480 mm (19 in)	480 mm (19 in)
ANCHURA	400 mm (16 in)	560 mm (22 in)	660 mm (26 in)
ALTURA	1120 mm (44 in)	1120 mm (44 in)	1120 mm (44 in)
PESO	17.6Kg (38 lbs)	19.5Kg (42 lbs)	20.4 Kg (44 lbs)
MOTOR DEL CEPILLO	120V, 0.125hp, 1A, 1800 rpm	120V, 0.125hp, 1A, 1800 rpm	120V, 0.125hp, 1A, 1800 rpm
	220V, 0.15kW, .5A, 1800 rpm	220V, 0.15 kW,.5 A, 1.800 rpm	220V, 0.15kW, .5A, 1800 rpm
MOTOR DE ASPIRACIÓN	120V, 1 hp, 6.8A	120V, 1 hp, 6.8A	120V, 1.5 hp, 9.8A
	220V, 1.12kW, 3.9A	220V, 1.12kW, 3.9A	220V, 1.12kW, 3.9A
LONGITUD DEL CABLE ELÉCTRICO	15m (50 ft) Gauge-16/3	15m (50 ft) Gauge-16/3	15m (50 ft) Gauge-16/3
ANCHURA DEL BARRIDO	355 mm (14 in)	510 mm (20 in)	610 mm (24 in)
BOLSAS	10 L (.33 bushel)	10 L (.33 bushel)	10 L (.33 bushel)
NIVEL SONORO EN LA POSICIÓN DEL OPERARIO EN UN ESPACIO INTERIOR CON SUELO DE BALDOSA	74dB(A)	74dB(A)	74dB(A)

# ELECTRICAL DIAGRAMS DIAGRAMAS ELECTRICAS

## 120V/220V/230V WIRING

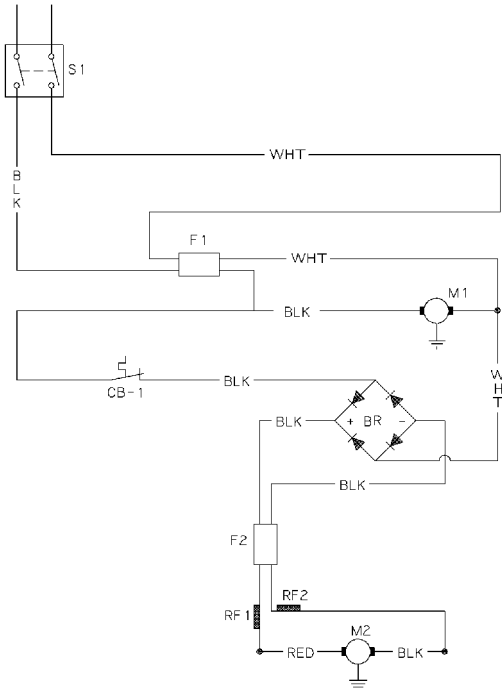


**120V/220V/230V LADDER**



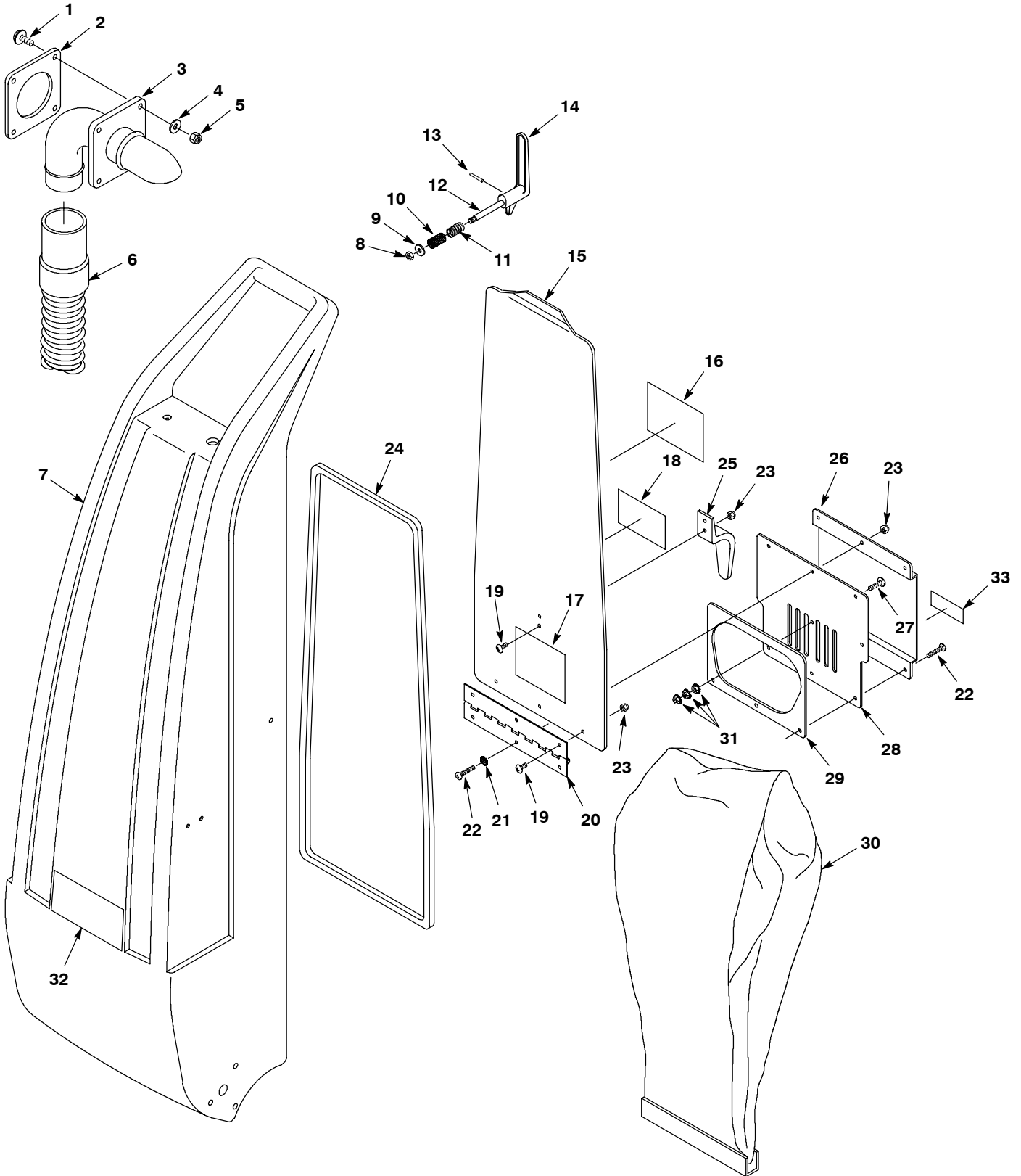
REF	LEGEND
S1 =	Switch
CB1 =	Circuit Breaker
M1 =	Motor, Vacuum
M2 =	Motor, Brush
BR =	Bridge Rectifier

**240V LADDER (EMC MODEL)**



REF	LEGEND
BLK =	Black
BRN =	Brown
BLU =	Blue
RED =	Red
S1 =	Switch
CB1 =	Circuit Breaker
M1 =	Motor, Vacuum
M2 =	Motor, Brush
F 1 =	Filter, RFI
F 2 =	Filter, RFI
BR =	Bridge Rectifier
RF1 =	Choke, RFI
RF2 =	Choke, RFI
WHT =	White

**UPPER UNIT**  
**PIEZAS DE SUPERIOR**



**UPPER UNIT**  
**PIEZAS DE SUPERIOR**

REF	PART #	DESCRIPTION	QTY.
1	140881	SCREW, TRS, .25-20 X 1.00, ZN	4
2	100121	GASKET, ELBOW 1/4"	1
3	608585	ELBOW RM-BLK / C-O	1
4	140000	WASHER, FLAT, 0.28B 0.62D .04	4
5	41169	NUT, HEX, LOCK .25-20, NL, SS	4
6	609011	HOSE, VACUUM, 1.5D X 22L, 1-CUFF, BLK (1600)	1
6	609012	HOSE, VACUUM, 2.0D X 20.5L, W/CUFF BLACK (2200 & 2600)	1
7	608583	HANDLE RM-SPGN (RM-CO)	1
8	140545	NUT 3/8-16 FINJAM SS	1
9	32492	WASHER, FLAT, 0.38 STD	1
10	605839	GUARD SPRING 2.5" LONG	1
11	140419	SPRING, CMPR, 13.7D, W, 25.4L	1
12	230245	SHAFT, LATCH HANDLE	1
13	140610	PIN, ROLL, .125 D X 0.75L	1
14	103053	●HANDLE LATCH MODIFIED	1
▽ 15	614161	ASM, DOOR W/ LABELS	1
▲ 16	613280	LABEL, WARNING AC VACUUM 4X3	1
▲ 17	120374	DECAL, IMPORTANT: KEEP VAC	1
18	602595	DECAL WARNING VACUUM (120V)	1

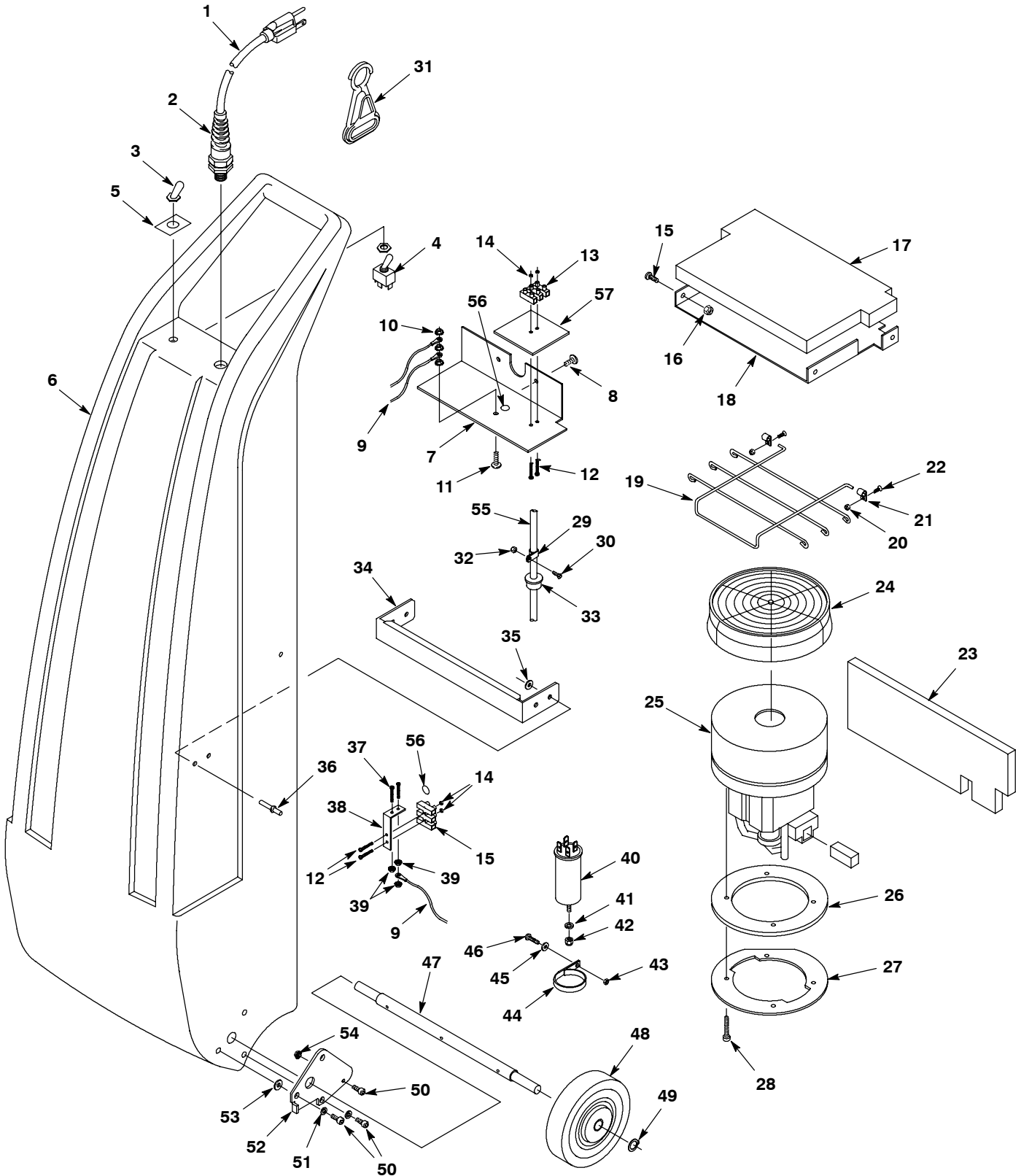
REF	PART #	DESCRIPTION	QTY.
19	140197	SCREW, TRS, #10-24 X 0.38, PHL, SS, SEM	5
20	230244	HINGE, .19PIN .06 2.0W 07.5L, YLW	1
21	140031	WASHER #10 EXT ZN	3
22	140823	SCREW, TRS, #10-24 X 0.62, PHL	6
23	140511	NUT 10-24 ACRN NK	8
24	100154	●GASKET, REAR DOOR	1
25	230920.BK	HOOK CORD BLACK	1
26	608510	COVER EXHAUST BLACK	1
27	140900	SCREW, TRS, #10-24 X 0.75, PHL	1
28	608511	PLATE EXHAUST BLACK	1
29	100139	●GASKET EXHAUST	1
30	611784	●BAG, FLTR, PAPER MT 1=1CTN OF 10 PKGS	1
	900016	●BAG, CLOTH FILTER (OPTIONAL)	1
31	140519	NUT, HEX, LOCK, #10-24, KEP	3
32	608186	LABEL, LOGO, [NOBLES], 114 X 22, WHT	1
33	-	LABEL, CSA CERTIFIED MACHINE	1

▽ ASSEMBLY

▲ INCLUDED IN ASSEMBLY

● RECOMMENDED STOCK ITEMS / ARTICULOS RECOMENDADOS

UPPER UNIT - CONT.  
PIEZAS DE SUPERIOR - CONT.





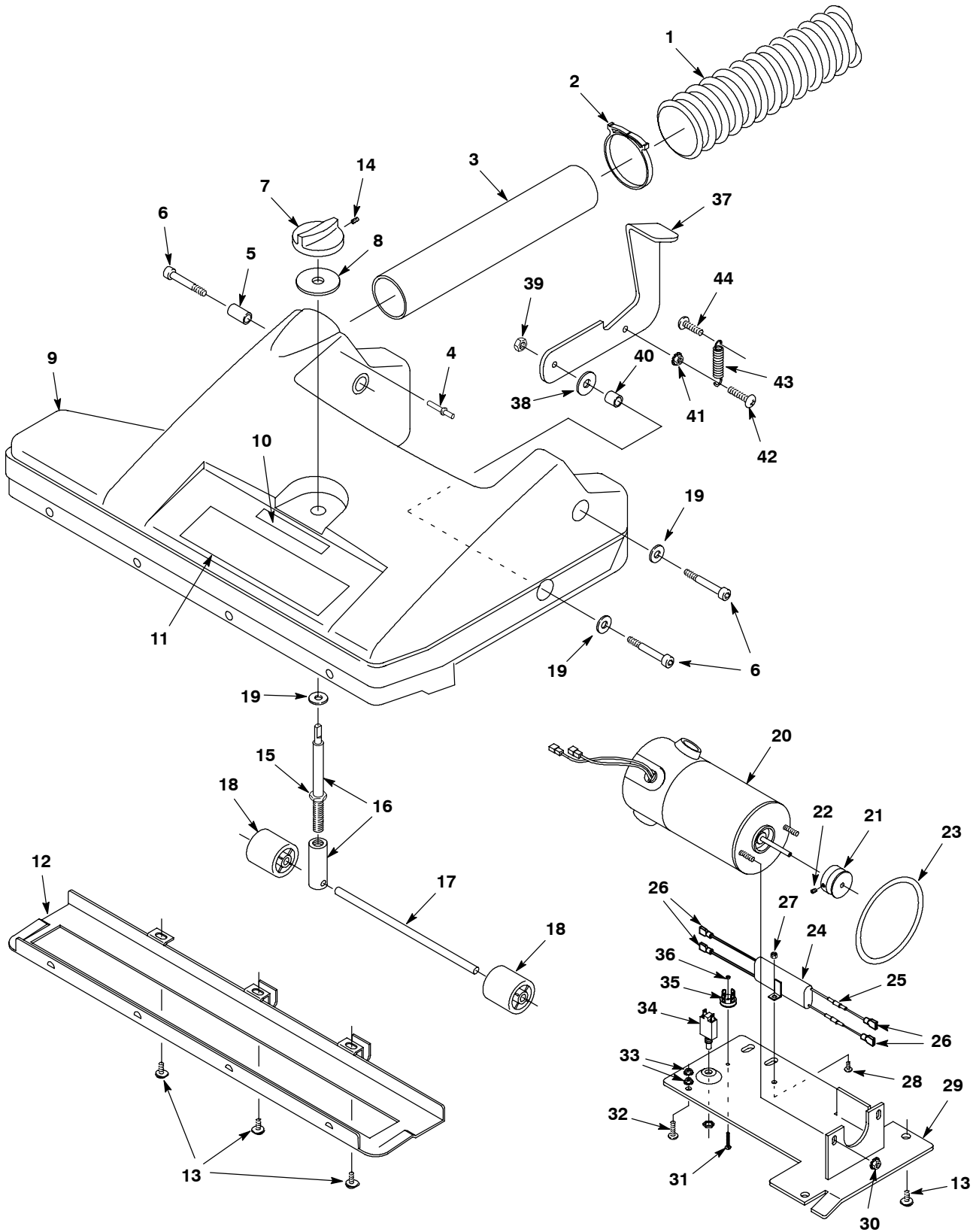
**UPPER UNIT - CONT.**  
**PIEZAS DE SUPERIOR - CONT.**

REF	PART #	DESCRIPTION	QTY.
1	130219	●CORD 16/3X50'4" YELLOW (120V)	1
	600324	CORD, ELE, 3X1.5MM2X15M BLK (220V/230V/240V)	1
2	602849	STRAINRELIEF, CORD (120V)	1
	130166	GRIP, CORD, STRAINRELIEF PG-11 W/NUT BK (220V/230V/240V)	1
3	130990	●BOOT, RBR, SWITCH, BLACK	1
4	130726	●SWITCH, TOGGLE	1
5	120300	DECAL, SWITCH ON/OFF	1
6	608583	HANDLE RM-SPGN MT (RM-CO)	1
7	230007	PLATE, TERMINAL BLOCK ZINC	1
	613541	EDGING, PLASTIC 1/8" M 0.304	1
8	140890	SCREW, TRS, #10-24 X 0.50, PHL	2
9	600692	CABLE, CORD STRAIN-RELIEF (EMC MODEL)	2
10	140519	NUT, HEX, LOCK, #10-24, KEP	1-3
11	140823	SCREW, TRS, #10-24 X 0.62, PHL	1
12	140879	SCREW, RND, #06-32 X 0.75, SLOT, NY (EMC MODEL)	4
13	130005	●TERMINAL 3-POS STRIP 25AMP (EMC MODEL)	2
14	140534	NUT, HEX, LOCK, #06-32, NY (EMC MODEL)	4
15	590137	SCREW, TRS, #06-32 X 0.38, PHL (EMC MODEL)	4
16	140066	NUT 6-32 NYLCK ZN (EMC MODEL)	4
17	608228	FILTER BAG SUPPORT (EMC MODEL)	1
18	608226	SUPPORT SCREEN (EMC MODEL)	1
19	230005	SUPPORT WIRE BAG (STANDARD MODEL)	1
20	140539	NUT, HEX, LOCK, #06-32 KEP (STANDARD MODEL)	2
21	140326	CLAMP, CABLE, NYL, 0.12D, NATURAL (STANDARD MODEL)	2
22	578278000	SCREW, FLT, #06-32 X 0.50, PHL (STANDARD MODEL)	2
23	102527	TUFCOTE, EMBOSSED 1/2"	1
24	180626	●FRAME, FILTER, FOAM (STANDARD MODEL)	1
25	130418	●FAN, VACUUM, 5.7D 2S 120V (1600 & 2200)	1
	190155	●BRUSH CRBN FOR130402, 18, 14 (1PK = 2BRUSHES)	2
	130483	●FAN, VACUUM, 5.7D 2S (2600)	1
	190160	●BRUSH CRBN (1PK = 2BRSHS)	2

REF	PART #	DESCRIPTION	QTY.
26	100122	●GASKET VAC MOTOR	1
27	240033	RING, MTG, MOTOR, VAC	1
28	140749	SCREW, HEX, #10-32 X 0.75	3
29	140324	CLAMP, CABLE, NYL, 0.31D, BLACK	3
30	578278000	SCREW, FLT, #06-32 X 0.50, PHL	3
31	130176	CLIP, CORD STRAIN-RELIEF YELLOW (BELT) (OPTIONAL)	1
32	140539	NUT, HEX, LOCK, #06-32, KEP	3
33	240205	GROMMET, 5/16" X 1" OD	1
34	605318	BRACE HANDLE	1
35	41579	WASHER, FLAT, #08	4
36	140703	RIVET, BLIND, .188D X 0.25 X .38D	4
37	2728.12	SCREW, PAN, #06-32 X 0.75, PHL (EMC MODEL)	2
38	600695	BRACKET TERMINAL STRIP (EMC MODEL)	1
39	140539	NUT, HEX, LOCK, #06-32, KEP (EMC MODEL)	3
40	600383	●FILTER RFI (EMC MODEL)	1
41	140062	WASHER, 5/16 EXT ZN (EMC MODEL)	1
42	200101017	NUT, HEX, JAM, M8 X 1.25 (EMC MODEL)	1
43	140539	NUT, HEX, LOCK, #06-32, KEP (EMC MODEL)	1
44	600749	CLAMP, CABLE, NYL, 1.38D, NATURAL (EMC MODEL)	1
45	140011	WASHER, FLAT, 0.21B 0.45D .03 (EMC MODEL)	1
46	140759	SCREW, FLT, #06-32 X 0.75, PHL (EMC MODEL)	1
47	605319	AXLE WHEEL	1
48	614317	●WHEEL, 4.0D 1.00W GRAY RBR	2
49	605329	RING RETAINER - ZINC	2
50	602982	SCREW, SOC, .25-20 X 0.50, BO	3
51	140035	WASHER HIGH COLLAR	2
52	230557	PLATE, LATCH 3 POSITION	1
53	140000	WASHER, FLAT, 0.28B 0.62D .04	1
54	140524	NUT, 1/4-20 KEP ZN	1
55	130645	CORD, 18/3X41" BLACK SJTO	1
56	578859	LABEL, WARNING "GROUND" TXTLS (EMC MODEL)	2
57	600703	PLATE, INSULATOR KEMA (EMC MODEL)	1

● RECOMMENDED STOCK ITEMS / ARTICULOS RECOMENDADOS PARA MANTENER EN EXISTENCIA

LOWER UNIT  
PIEZAS DE INFERIOR



**LOWER UNIT**  
**PIEZAS DE INFERIOR**

REF	PART #	DESCRIPTION	QTY.
1	609011	●HOSE, VACUUM, 1.5D X 22L, 1-CUFF, BLK (1600)	1
	609012	●HOSE, VACUUM, 2.0D X 20.5L, W/ CUFF BLACK (2200 & 2600)	1
2	611205000	CLAMP, HOSE, TYT, SNP-50, 2.0-2.3"	1
3	240177	TUBE, BASE (1600)	1
	230555	TUBE, BASE HOUSING 2" OD (2200 & 2600)	1
4	140706	RIVET, BLIND, .125D, PL	1
5	140903	BUSHING ADJUSTING (16" MODEL)	1
	140905	BUSHING ADJUSTING NY MACHINED (22", 26" MODEL)	1
6	140239	BOLT, SHLD, .38D X 1.75, .31-18	3
7	130230	KNOB, HT-ADJMT	1
8	140039	WASHER, 1-1/2X3/8X1/8 FELT WHT	1
9	608587	BASE 16" MT RM-SPGN (RM-CO)	1
	608589	BASE 22" MT RM-SPGN (RM-CO)	1
	608591	BASE 26" MT RM-SPGN (RM-CO)	1
10	120299	DECAL, HEIGHT ADJUST	1
11	608487	DECAL MAGNA TWIN 1600	1
	608486	DECAL MAGNA TWIN 2200	1
	608485	DECAL MAGNA TWIN 2600	1
12	240026	SHOE, PLATE 16"	1
	230563	SHOE, PLATE 22"	1
	605417	SHOE, PLATE 26"	1
13	140832	SCREW, RND, .25-20 X 0.38, PHL	6
▽	700003	ASM HGT ADJ (1600 & 2200)	1
	600186	ASM, HEIGHT/ADJ, 26" (2600)	1
▲	140859	SCREW, SET, .25-20 X 0.25, CUP	1
▲	140545	NUT 3/8-16 FINJAM SS	1
▲	230842	PIVOT BLOCK & ADJUSTOR SHAFT	1
▲	240130	SHAFT AXLE ROLLER	1
18	605317	●ROLLER BASE HOUSING FRONT	2-4
19	140036	WASHER 3/8 FLT SAE SS	3
20	1019015	●MOTOR, ELE, 115VDC, .125HP, 3 IN DIA (120V)	1
	190150	●BRUSH CARD 110 VOLT	2

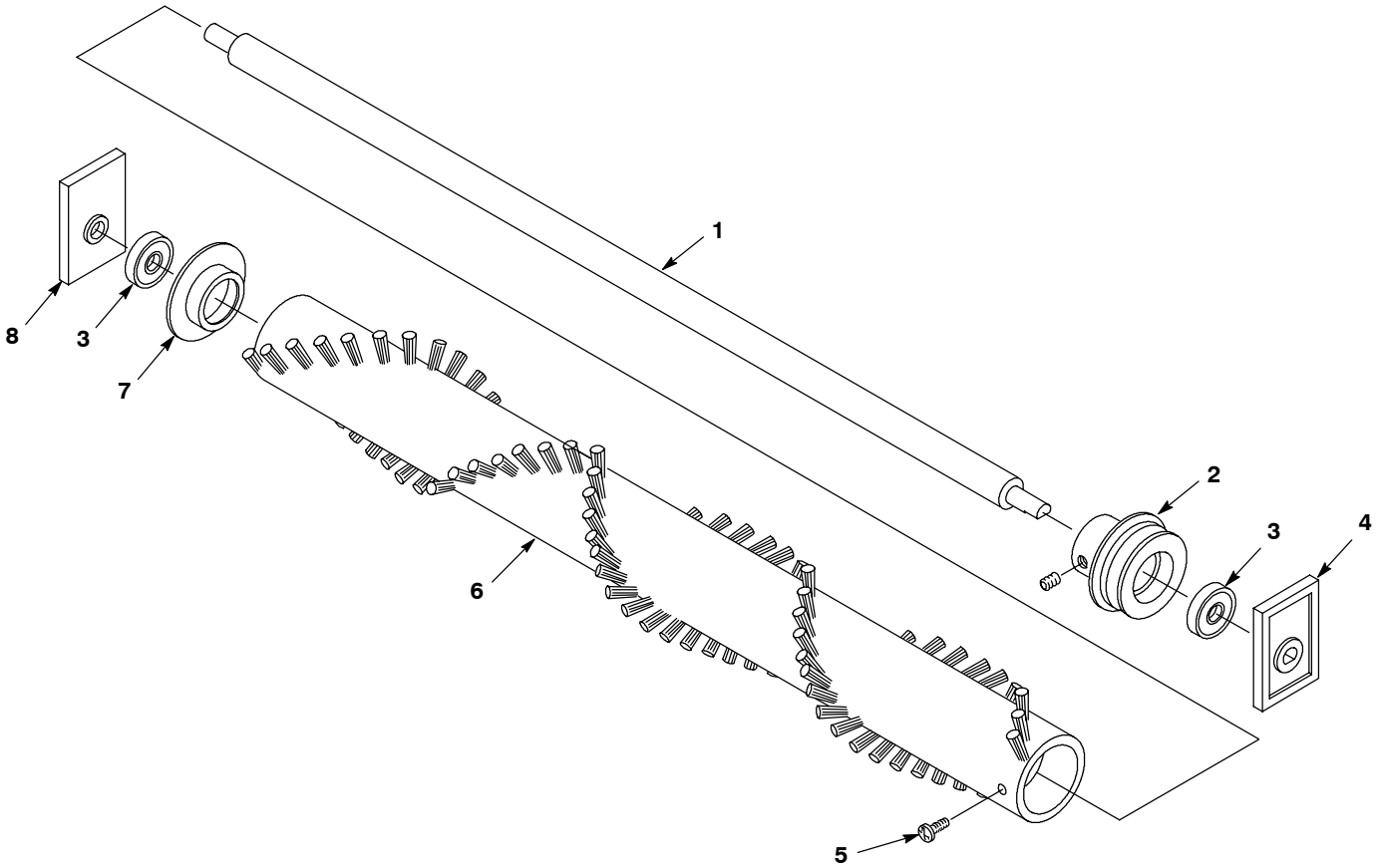
REF	PART #	DESCRIPTION	QTY.	
21	605315	●PULLEY MOTOR	1	
22	140859	SCREW, SET, .25-20 X 0.25, CUP	1	
23	100047	●BELT BRUSH DRIVE	1	
▽	601280	ASM RFI FILTER 240V KEMA (EMC MODEL)	1	
▲	24	600694	●FILTER RFI BRUSH (EMC MODEL)	1
▲	25	600693	●CHOKER, 20UH 2.5A (EMC MODEL)	2
▲	26	281004001	●TERMINAL, FEM .25 22-18GA	4
27	28990	NUT 8-32 LOCK NY-INSERTS SS	1	
28	140801	SCREW, TRS, #08-32 X 0.38, PHL	1	
29	240027	PLATE BRUSH MOTOR MOUNT	1	
30	140518	NUT, HEX, LOCK, #10-32, KEP, SS	2	
31	140829	SCREW, PAN, #06-32 X 1.00, PHL	1	
32	140823	SCREW, TRS, #10-24 X 0.62, PHL	3	
33	140518	NUT, HEX, LOCK, #10-32, KEP, SS	2	
34	130760	●CIRCUITBREAKER, 1.5A (120V)	1	
	578337000	CIRCUITBREAKER, 1.5A (220V/230V/240V)	1	
35	130304	●RECTIFIER, BRIDGE 600V 15AMP (120V)	1	
	130288	RECTIFIER BRIDGE RND 1000V/12A CE (220V/230V/240V)		
36	140539	NUT, HEX, LOCK, #06-32, KEP, SS	1	
37	230558	PLATE, FOOT LATCH	1	
38	140027	WASHER, FLAT, 0.35B 0.75D .04	1	
39	140548	NUT 5/16 FINJAM SS	1	
40	140925	SPACER CHASSIS 3/16 BRS	2	
41	140524	NUT 1/4-20 KEP ZN	1	
42	15860.12	SCREW, PAN, .25-20 X 0.75, PHL	1	
43	606334	●SPRING HANDLE LATCH	1	
44	140881	SCREW, TRS, .25-20 X 1.00, ZN	1	
N/S	130646	CORD 18/3X28" BLACK SJTO	1	

▽ ASSEMBLY / CONJUNTO

▲ INCLUDED IN ASSEMBLY / INCLUIDO EN EL CONJUNTO

● RECOMMENDED STOCK ITEMS / ARTICULOS RECOMENDADOS

**BRUSH BREAKDOWN**  
**CONJUNTO DE CEPILLO**



REF	PART #	DESCRIPTION	QTY.
▽	240035	ASM BRUSH 16"	1
	700865	ASM BRUSH 22"	1
	605419	ASM BRUSH 26"	1
▲ 1	605316	SHAFT BRUSH 16"	1
	605391	SHAFT BRUSH 22"	1
	605420	SHAFT BRUSH 26"	1
▲ 2	240031	●PULLEY BRUSH	1
▲ 3	140125	●BEARING BRUSH	2
▲ 4	103016	●BLOCK, BRUSH SHAFT WITH SLOT	1

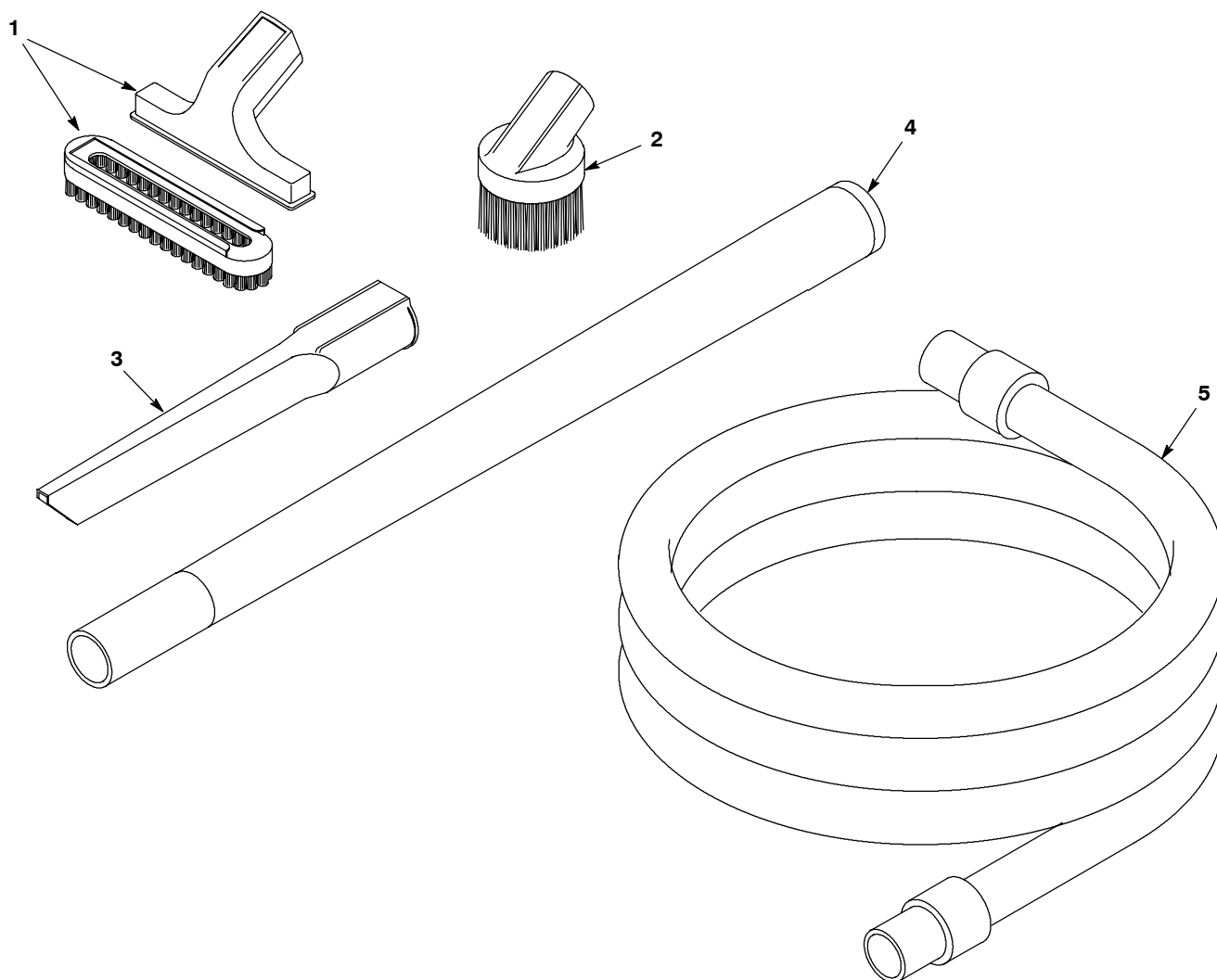
REF	PART #	DESCRIPTION	QTY.
▲ 5	140835	SCREW, PAN, #10-24 X 0.38, PHL	2
▲ 6	240003	●BRUSH, CYLINDER 16"	1
	240066	●BRUSH, CYLINDER 22"	1
	605418	●BRUSH, CYLINDER 26"	1
N/S	605423	SLEEVE BRUSH 26"	1
▲ 7	240024	CUP, BEARING	1
▲ 8	103017	●BLOCK, BRUSH SHAFT NO SLOT	1

▽ ASSEMBLY / CONJUNTO

▲ INCLUDED IN ASSEMBLY / INCLUIDO EN EL CONJUNTO

● RECOMMENDED STOCK ITEMS / ARTICULOS RECOMENDADOS

**TOOL ATTACHMENT KIT  
JUEGO ACCESORIO**



REF	PART #	DESCRIPTION	QTY.
▽	190048	●KIT, TOOL ATTACHMENT	1
▲ 1	*	TOOL, UPHOLSTERY	1
▲ 2	*	TOOL, DUSTING BRUSH	1

REF	PART #	DESCRIPTION	QTY.
▲ 3	*	TOOL, CREVICE	1
▲ 4	*	WAND, EXTENSION	1
▲ 5	*	HOSE, 5' BLACK	1

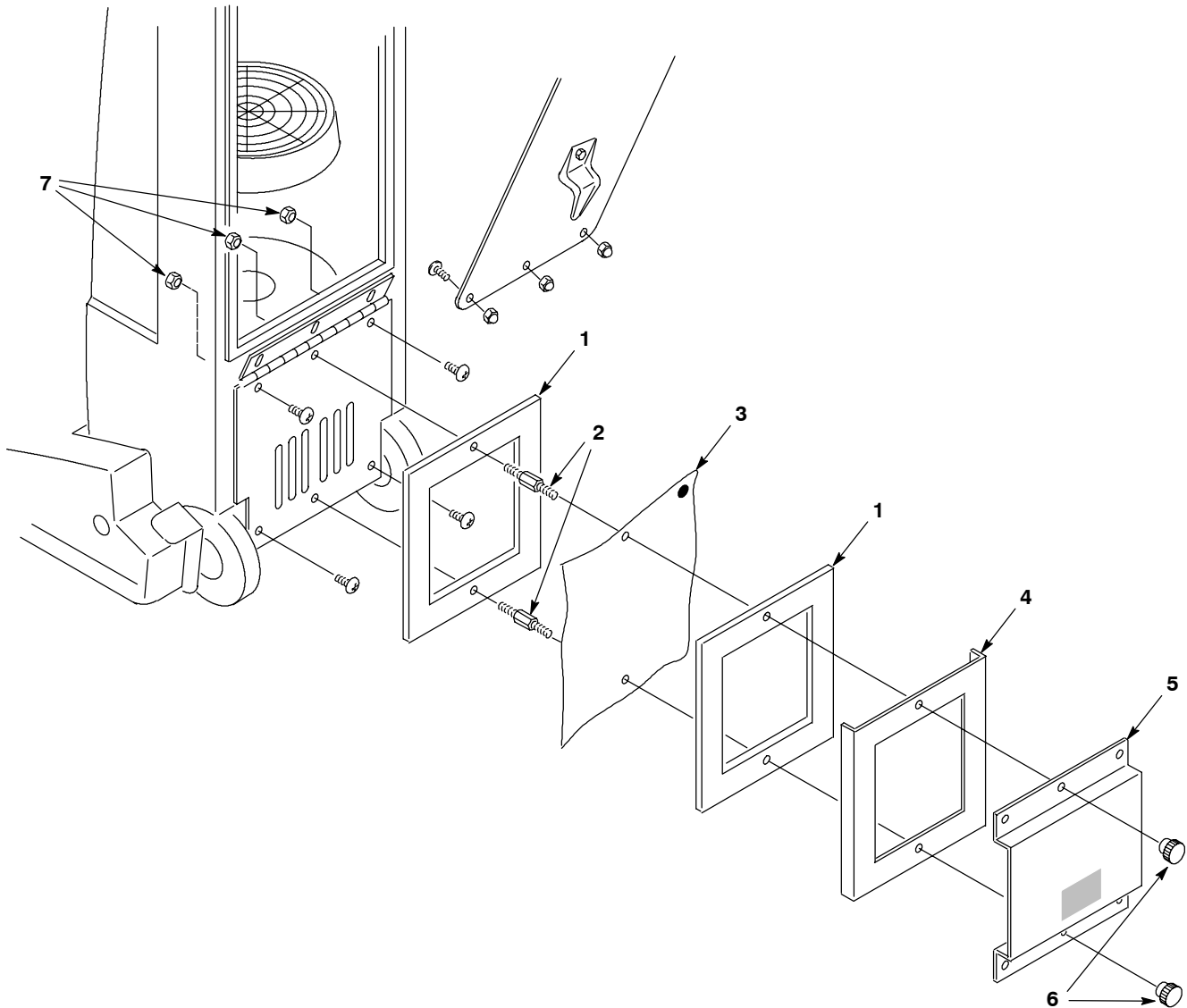
▽ ASSEMBLY / CONJUNTO

▲ INCLUDED IN ASSEMBLY / INCLUIDO EN EL CONJUNTO

● RECOMMENDED STOCK ITEMS / ARTICULOS RECOMENDADOS

\* NOT SOLD SEPARATELY / NO SE VENDE POR SEPARADO

**CLEAN AIR EXHAUST FILTER KIT  
JUEGO FILTRO**



REF	PART #	DESCRIPTION	QTY.
▽	190973	●KIT, EXHAUST FILTER	1
▲	1	102570 GASKET, FILTER KIT	2
▲	2	140606 STAND-OFF 10-24X.50 MXM ZN	2
▲	3	●FILTER EXHAUST (1PC=3FILTERS)	1

REF	PART #	DESCRIPTION	QTY.
▲	4	173317 INSRT. EXHST FILTER KIT	1
▲	5	230965.WH PLATE, EXHAUST FILTER	1
▲	6	240239 KNOB, 10-24F BK	2
▲	7	140552 NUT, HEX, LOCK, #10-24, NL, SS	3

▽ ASSEMBLY / CONJUNTO

▲ INCLUDED IN ASSEMBLY / INCLUIDO EN EL CONJUNTO

● RECOMMENDED STOCK ITEMS / ARTICULOS RECOMENDADOS