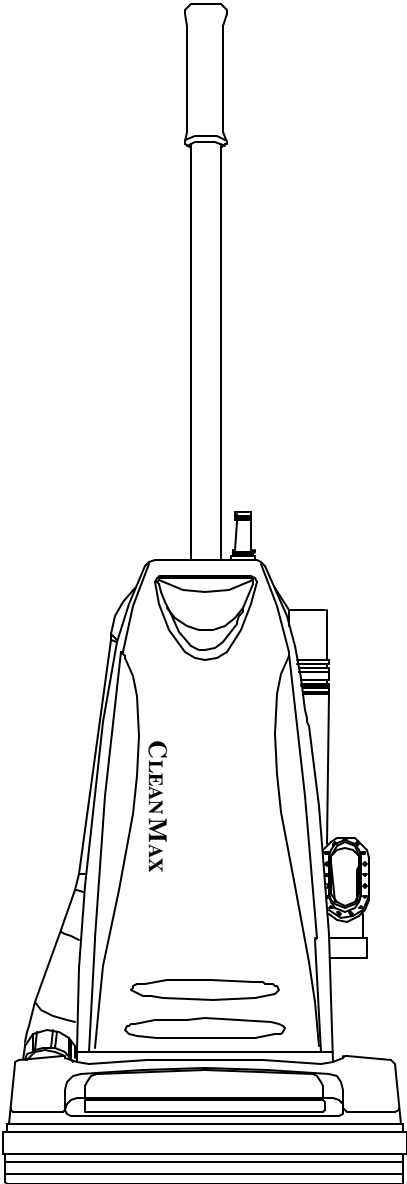


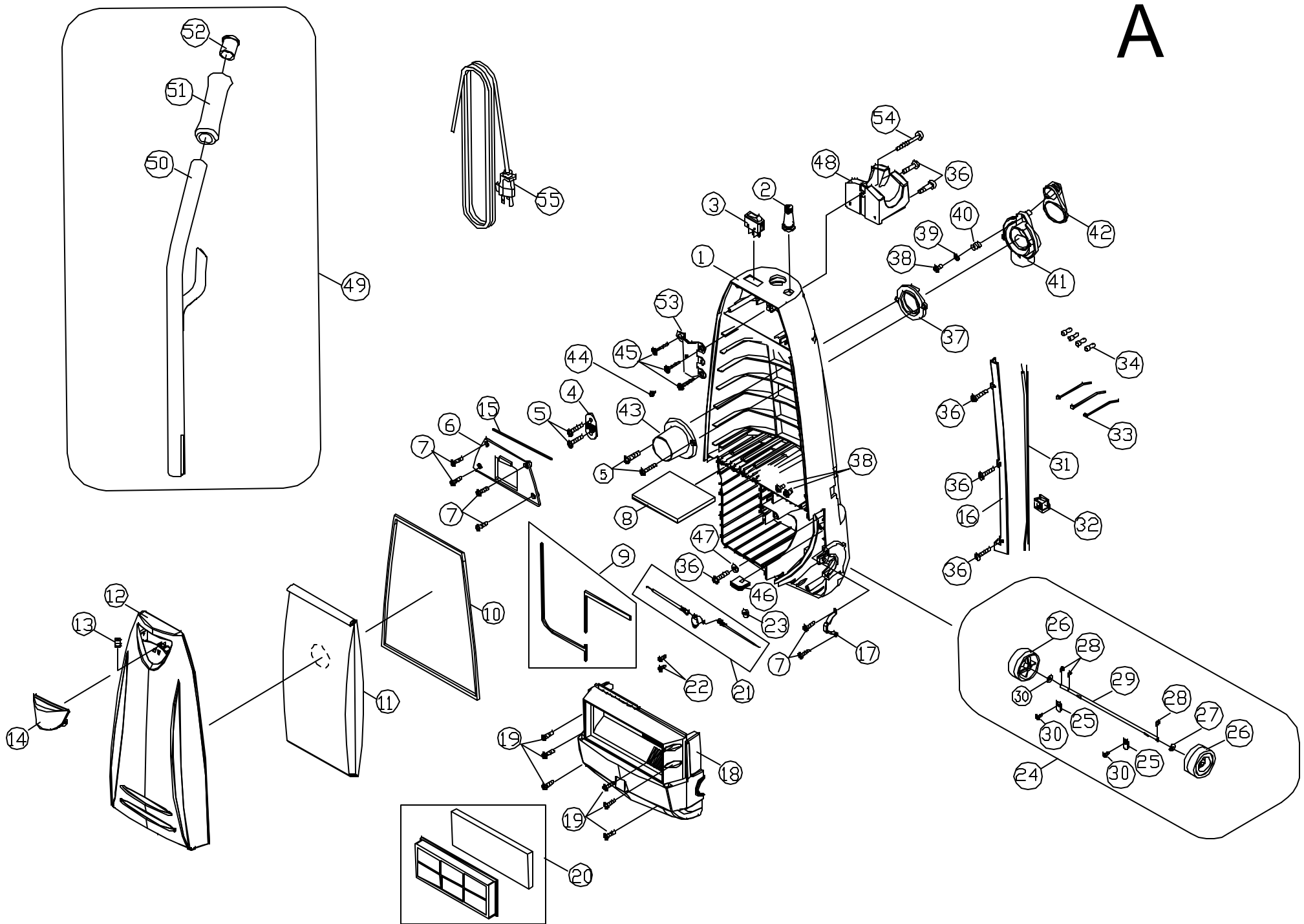
Parts List



CLEAN MAX
CMPS-1N

CMPB-CMPS1N

A

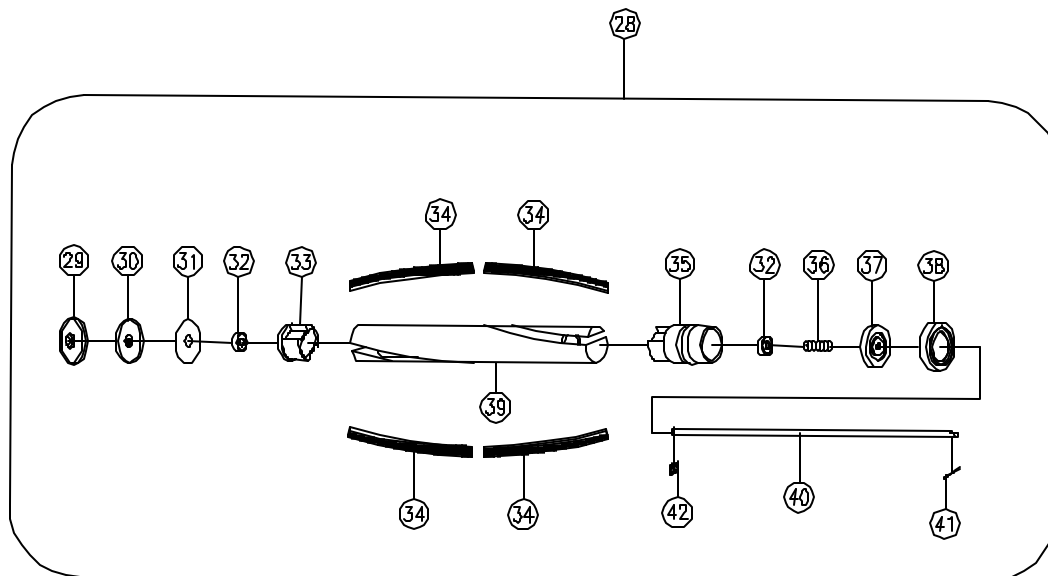
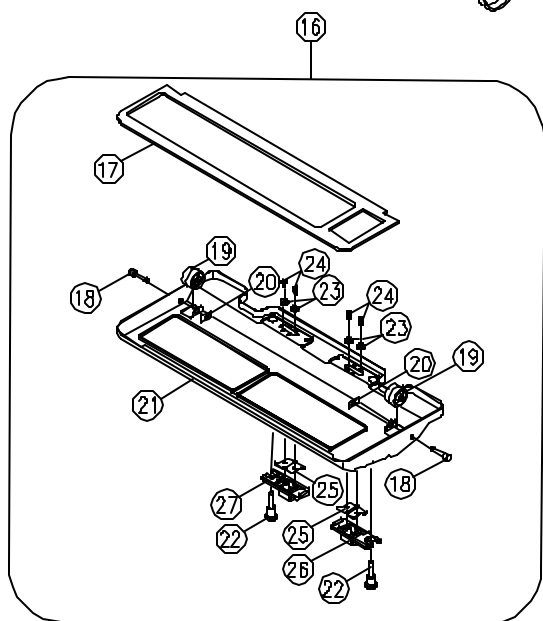
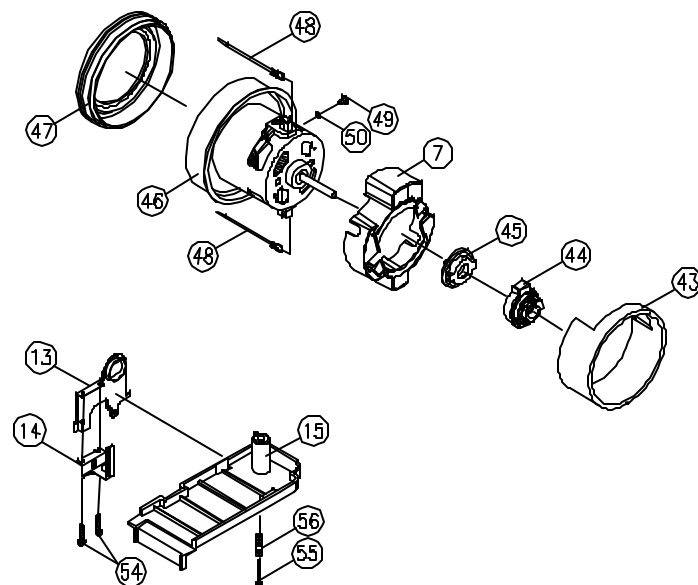
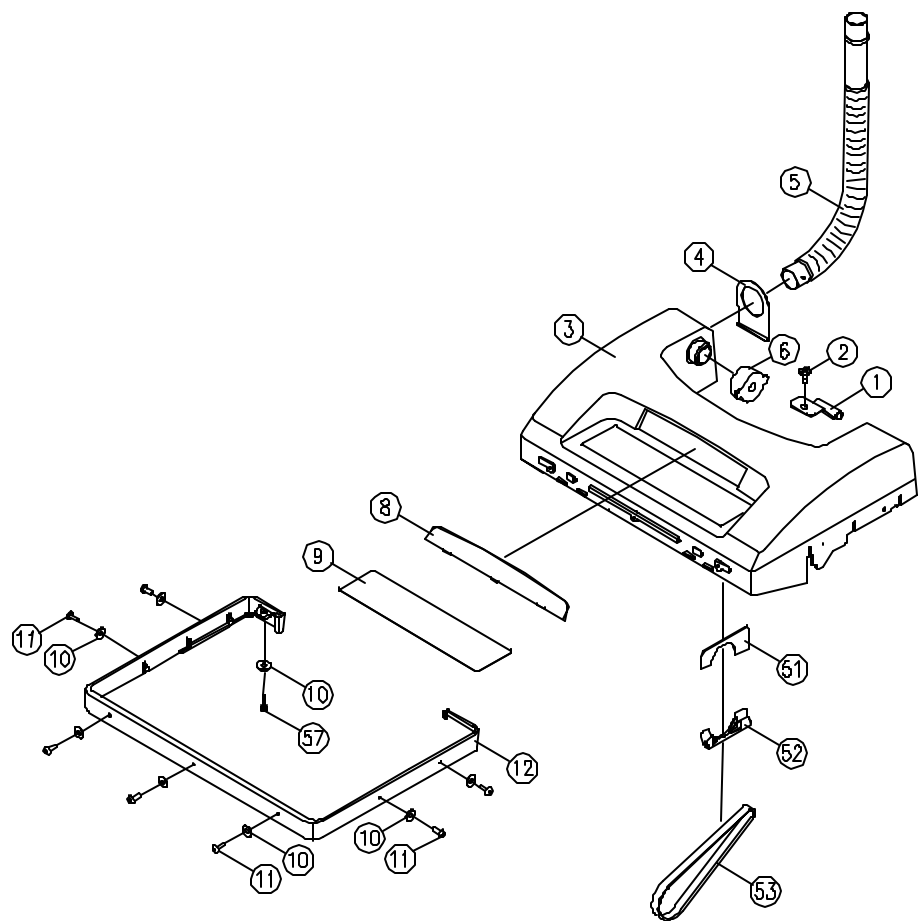


DRAWING A

Clean Max CMPS-1N

KEY	ITEM	CM PART	DESCRIPTION	KEY	ITEM	CM PART	DESCRIPTION
1		CM021001	Dust Compartment	28	A732-0300		Rear Axle Wheel Clip
2	B326-0114		Boot Strain Relief	29	54.135		Rear Wheel Axle
3	25.104		Main Switch	30	A732-8500		Clamp for Rear Axle
4	84.100		Internal Cord Strap	31	B224-3014B		Motor Lead Cord
5	A732-1100		Screw	32	84.109		Bushing for Motor Lead
6	84.102		Switch Cover	33	A732-0100		Zip Tie
7	A732-4500		Screw	34	B123-0100		Wire Connector
8	06.611		Secondary Filter	35		CM021007	Obt Tool Caddy(Not Shown)
9	84.103		Motor Cover Seal Kit	36	84.110		Screw
10	84.104		Dust Compartment Seal	37	A721-0200		Suction Inlet Gasket
11		CMPS-12	Paper Bag	38	A732-1200		Screw for Inlet Cover
12		CM021004	Dust Cover	39	B625-0105		Washer for Inlet Cover
13	24.700		Latch Spring	40	B625-0805		Inlet Cover Spring
14	84.105		Dust Cover Release Latch	41	54.007		Nobt Suction Inlet
15	84.106		Switch Cover Seal	42	B625-0914		Nobt Suction Inlet Cover
16	84.107		Motor Cord Holder Plate	43	B2110230		Nobt Red Bag Collar
17	84.108		Support Strap	44	84.110		Screw for Caddy
18		CM021005	Motor Cover	45	A732-1100		Screw for Handle Retainer
19	A732-8314		Screw	46	84.111		Internal Lower Cord Retainer
20		CMPS-PF	Exhaust Foam Filter Assembly	47	A430-0405		Washer
21	B333-0400B		Thermal Reset Switch	48	84.112		Hose Hanger/Carrying Handle
22	A732-0700		Screw	49		CM031000	Handle Assembly Complete
23	B333-0600		Thermal Switch Seal	50			Handle Tube (Only in Assembly)
24		CM021006	Rear Wheel & Axle Assembly	51	B431-2014		Foam Grip
25	54.136		Set Washer for Axle	52	G10		Handle Tube Cap
26		CM031003	Rear Wheel	53	B324-0400		Handle Retainer
27	A328-0100B		Rear Axle Wheel Washer	54	A232-0100		Handle Bolt
				55		CMPS-50C	Power Cord

B



DRAWING B**Clean Max CMPS-1N**

KEY	ITEM	CM PART	DESCRIPTION	KEY	ITEM	CM PART	DESCRIPTION
1	53.088		Handle Release Spring	24	C012-0500B		Brushroll Assembly
2		CM031000	Screw for Handle Spring	25	B012-0214		Brushroll Rubber End Caps Left
3		CM011002	Nozzle Housing	26	B012-0700		Brushroll Left Metal Cap
4	A07		Hose Fitting	27	B012-0600		Brushroll Felt Washer
5	C44-E		Nozzle Hose Nobt	28	B012-1300		Brushroll Bearing
6	84.200		Pivot Sleeve Bushing	29	B012-0500		Brushroll Bearing Holder
7		CM011001	Lens Green	30	B012-2400B		Brush Insert Strips
8		CMP-MARK	Clean Max Top Mark	31	B012-0400		Brushroll Belt Pulley
9		CM011003	Rivet for Bumper	32	B624-0100		Brushroll Spacing Spring
10		CMPS-BMP	Furniture Guard Bumper	33	B012-0800		Brushroll Pulley Metal End Cap
11		CM011004	Pedal Frame CleanMax	34	B012-0114		Brushroll Pulley End Rubber Cap
12	B014-0500		Rear Belt Guard	35	B012-1000		Brushroll Shaft
13		CM011006	Swivel Belt Cover	36	A732-0400		Brushroll Spring Clip
14		CM011007	Base Plate Assembly	37	A732-0200		Brushroll E-Clip
15		CM031001	Base Plate Gasket	38	B123-1900		Foam Motor Sound Suppressor
16	B010-0500		Base Plate Wheel Axle	39	B123-1300		Metal Pivot Sleeve
17	B010-0913		Base Plate Wheel	40		CM031002	Front Rubber Motor Mount
18	A732-2100		Base Plate Wheel Push Nut	41		CM011010	Motor Assembly
19		CM011012	Base Plate Latch Stud Screw	42		CM031003	Rear Rubber Motor Mount
20		CM011011	Base Plate Latch Screw	43		CMPS-BB	Belt
21			Base Plate Latch Leaf Spring	44		CM031003	Screw for Pedal Frame
22		CM011008	Base Plate Latch Left	45		CM031004	Screw for Swivel Belt Cover
23		CM011009	Base Plate Latch Right	46		CM031005	Spring for Swivel Belt Cover