

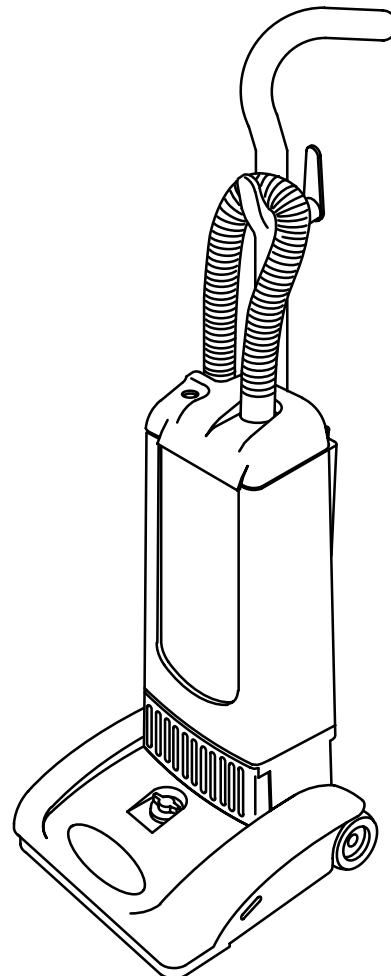


Viper[®]

**Upright Vacuum Cleaner
Aspiradora Vertical**

**Model No.:
608669**

**Operator and Parts Manual
Manual del Operador y Piezas**



TENNANT COMPANY
701 NORTH LILAC DRIVE
MINNEAPOLIS, MN 55422

MAILING ADDRESS:
TENNANT COMPANY
P.O. BOX 1452
MINNEAPOLIS, MN 55440-1452

NOBLES CUSTOMER SERVICE:
1-800-365-6625
FAX: 1-800-678-4240

TECHNICAL SUPPORT:
1-800-522-7839 EXT. 5356

**608680
Rev. 03 (06-03)**

OPERATION

This manual is furnished with each new upright vacuum cleaner. It provides necessary operation, maintenance instructions and parts list.

Read this manual completely and understand the machine before operating or servicing it.

When ordering replacement parts use the Parts Lists section in this manual. Before ordering parts or supplies, be sure to have your machine model number and serial number handy. Parts and supplies may be ordered by phone or mail from any Authorized Service Center or Distributor.

This machine will provide excellent service. However, the best results will be obtained at minimum costs if:

- The machine is operated with reasonable care.
- The machine is maintained regularly - per the machine maintenance instructions provided.
- The machine is maintained with manufacturer supplied or equivalent parts.

MACHINE DATA

Please fill out at time of installation for future reference.

Model No.- _____

Install. Date - _____

Serial No.- _____

© 1999, 2000, 2003 Tennant Company

Printed in U.S.A.

Nobles and Viper are registered United States trademarks of Tennant Company. EZGrip is a United States trademark of Tennant Company.

Specifications and parts are subject to change without notice.

TABLE OF CONTENTS

SAFETY PRECAUTIONS	3	STORING MACHINE	10
GROUNDING INSTRUCTIONS	4	RECOMMENDED STOCK ITEMS	10
WARNING LABELS	4	TROUBLE SHOOTING	11
MACHINE COMPONENTS	5	SPECIFICATIONS	12
MACHINE INSTALLATION	5	ELECTRICAL DIAGRAMS	24
ATTACHING HANDLE	5	PARTS LIST	26
INSTALLING VACUUM HOSE/WAND	6	BAG HOUSING GROUP	26
MACHINE SETUP	6	VACUUM MOTOR HOUSING GROUP	28
MACHINE OPERATION	7	BRUSH BASE GROUP	30
ELECTRONIC SENSOR SYSTEM	7	OPTIONS	32
WAND OPERATION	8	OPTIONAL ATTACHMENT KIT	32
MACHINE MAINTENANCE	8	REPLACEMENT BAGS	32
DAILY MAINTENANCE	8		
WEEKLY MAINTENANCE	8		
QUARTERLY MAINTENANCE	9		
BRUSH MAINTENANCE	9		
FOOT LATCH ADJUSTMENT	9		

SAFETY PRECAUTIONS

This machine is intended for commercial use only. It is designed exclusively to pick up dirt, dry debris and dust in an indoor environment and is not constructed for any other use. The pick up of any type of fluid or dangerous/toxic materials is prohibited. Use only recommended accessories.

All operators must read, understand and practice the following safety precautions.

The following warning alert symbol and the "FOR SAFETY" heading are used throughout this manual as indicated in their description:

⚠ WARNING: To warn of hazards or unsafe practices which could result in severe personal injury or death.

FOR SAFETY: To identify actions which must be followed for safe operation of equipment.

Failure to follow these warnings may result in: personal injury, electrocution, electric shock, fire or explosion:

⚠ WARNING: Do Not Use Flammable Liquids Or Operate Machine In Or Near Flammable Liquids, Vapors Or Combustible Dusts.

This machine is not equipped with an explosion proof motor. The electric motor will spark upon start up and during operation which could cause a flash fire or explosion if machine is used in an area where flammable vapors/liquids or combustible dusts are present.

⚠ WARNING: Do Not Pick Up Flammable Or Toxic Materials, Burning Or Smoking Debris.

⚠ WARNING: Do Not Operate With Damaged Power Cord. Do Not Modify Plug. Unplug Power Cord Before Servicing Machine

If the supply cord is damaged or broken, it must be replaced by the manufacturer or it's service agent or a similarly qualified person in order to avoid a hazard.

⚠ WARNING: Do Not Use Outdoors Or On Wet Surfaces. Do Not Expose to Rain. Store Indoors.

The following information signals potentially dangerous conditions to the operator or equipment:

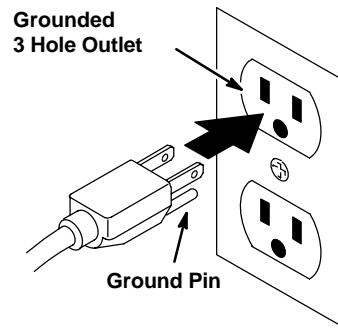
FOR SAFETY:

1. Do not operate machine:
 - In flammable or explosive areas.
 - Unless trained and authorized.
 - Unless operator manual is read and understood.
 - Unless cord is properly grounded.
 - With damaged cord or plug.
 - If not in proper operating condition.
 - On wet or damp surfaces.
 - In outdoor areas.
 - Without bag and/or filters in place.
 - With the use of an extension cord.
2. Before operating machine:
 - Make sure all safety devices are in place and operate properly.
3. When using machine:
 - Do not pull machine by plug or cord.
 - Do not pull cord around sharp edges or corners.
 - Do not close doors on cord.
 - Do not unplug by pulling on cord.
 - Do not stretch cord.
 - Do not handle plug with wet hands.
 - Keep cord away from heated surfaces.
 - Do not pick up burning or smoking debris, such as cigarettes, matches or hot ashes.
 - Report machine damage or faulty operation immediately.
 - Never allow children to play on or around.
4. Before leaving or servicing machine:
 - Turn off machine.
 - Unplug cord from wall outlet.
5. When servicing machine:
 - Unplug cord from wall outlet.
 - Avoid moving parts. Do not wear loose jackets, shirts, or sleeves.
 - Use manufacturer supplied or approved replacement parts.
 - All repairs must be performed by a qualified service person.
 - Do not modify the machine from it's original design.

OPERATION

GROUNDING INSTRUCTIONS

Machine must be grounded. If it should malfunction or breakdown, grounding provides a path of least resistance for electrical current to reduce the risk of electrical shock. This machine is equipped with a cord having an equipment-grounding conductor and grounding plug. The plug must be plugged into an appropriate outlet that is properly installed in accordance with all local codes and ordinances. Do not remove ground pin; if missing, replace plug before use.



WARNING LABELS

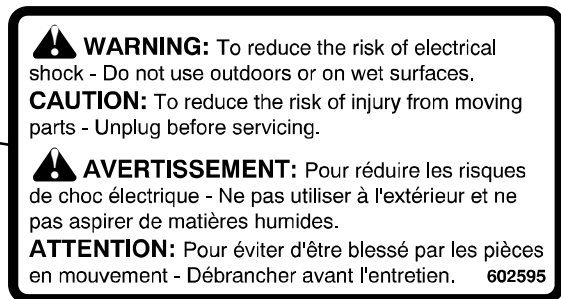
The warning labels appear on the machine in the locations indicated. Replace labels if they become damaged or illegible.



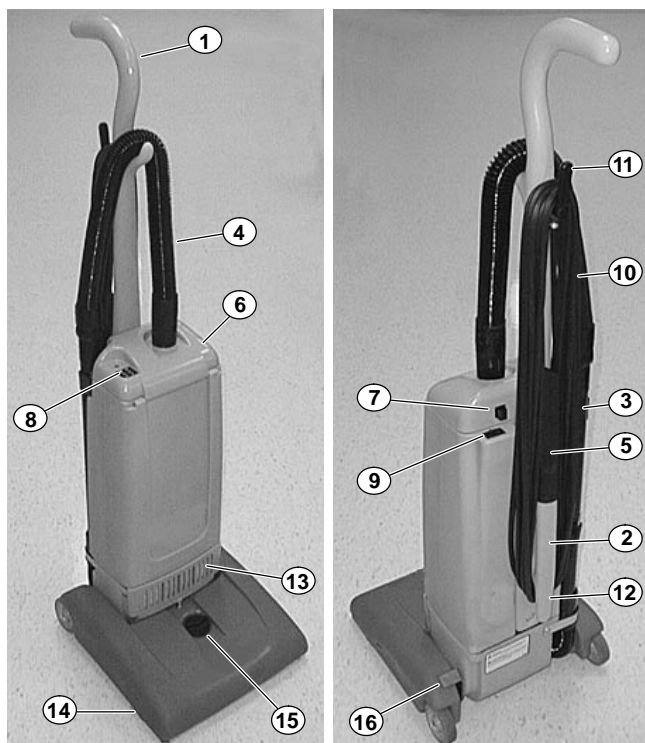
WARNING LABEL –
Located on back side of machine



WARNING LABEL –
Located on back side of machine



MACHINE COMPONENTS



1. EZGrip™ Handle
2. Carrying Handle
3. Cleaning Wand
4. Expandable Vacuum Hose
5. Onboard Crevice Tool
6. Filter Bag Compartment Lid
7. Bag Compartment Lid Latch
8. Electronic Sensor System
9. Power ON/OFF Switch
10. 12m (40 ft) Power Cord
11. Quick-Release Cord Hook
12. Lower Cord Hook
13. Exhaust Filter Cover
14. Brush Base w/ Edge Cleaning Shoe
15. Brush Height Adjustment Dial
16. Handle Release Latch

MACHINE INSTALLATION

Carefully check carton for signs of damage. Report damages to carrier immediately.

Check Machine Contents to ensure carton is complete. Contact distributor for missing items.

Machine Contents:

- Machine
- Handle
- Vacuum Hose/Wand
- Crevice Tool
- Paper Filter Bag (*Pre-installed*)
- Secondary Filter (*Pre-installed*)
- Exhaust Filter (*Pre-installed*)

ATTACHING HANDLE

1. Remove two factory-installed handle mounting screws from bag compartment.
2. Connect the anti-static wires and tuck wire connectors inside of handle (Figure 1).



FIG. 1

3. Align handle on bag compartment and replace screws securely (Figure 2).

OPERATION

- Secure power cord with factory-installed cord clamp, located on handle (Figure 2).

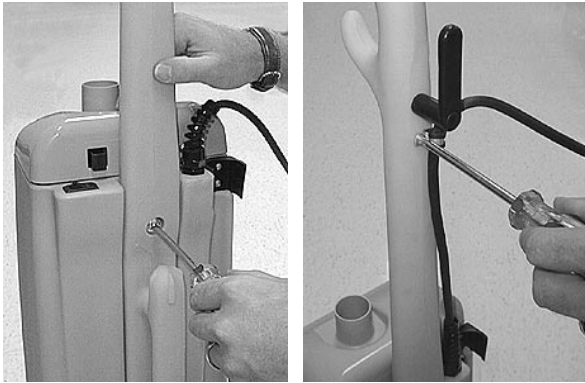


FIG. 2

- Wrap power cord around quick release hook and the lower handle hook.

INSTALLING VACUUM HOSE/WAND

- Slide hose cuff over spout on bag compartment lid and wand into base cuff as shown. Snap wand into retainer clip (Figure 3).
- Store crevice tool on carrying handle (Figure 3).



FIG. 3

MACHINE SETUP

⚠ WARNING: Do Not Operate With Damaged Power Cord. Do Not Modify Plug. Unplug Power Cord Before Servicing Machine

- Install filter bag (pre-installed). Depress latch on lid to open bag compartment (Figure 4).

Contact distributor for optional cloth bag #900034.

NOTE: The machine will not operate without a filter bag in place. The protective vacuum motor lockout device will automatically sense when a bag is not installed.

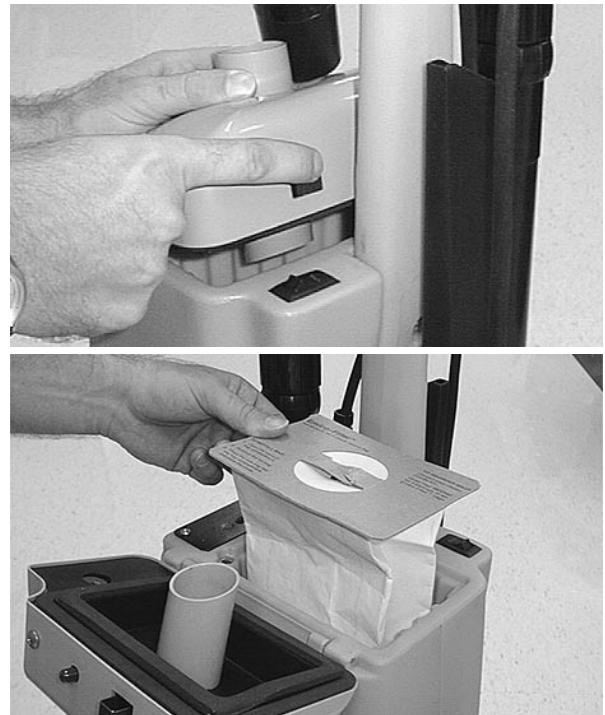


FIG. 4

- Adjust brush height. Turn brush height adjustment dial to desired setting as follows (Figure 5):

Brush Height Settings:

- 1–2 Short Carpet Pile
- 3–4 Medium Carpet Pile
- 5–6 High Carpet Pile



FIG. 5

3. Pull and turn quick-release hook to remove power cord (Figure 6).

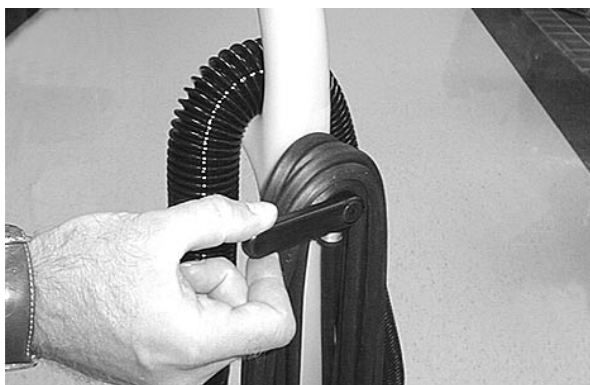


FIG. 6

4. Plug power cord into a grounded wall outlet (Figure 7).

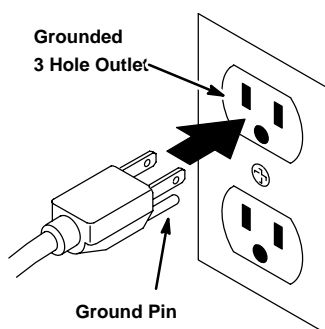


FIG. 7

FOR SAFETY: Do not operate machine unless cord is properly grounded.

FOR SAFETY: Do not operate machine with the use of an extension cord.

MACHINE OPERATION

FOR SAFETY: Do not operate machine unless operator manual is read and understood.

1. Activate ON/OFF switch.

⚠ WARNING: Do Not Pick Up Flammable Or Toxic Materials, Burning Or Smoking Debris.

2. Lower handle to operating position by stepping on handle release latch (Figure 8).

NOTE: Brush motor will not start until handle is lowered.

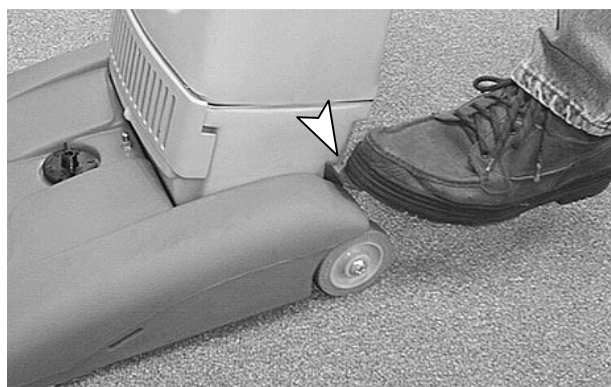


FIG. 8

3. Begin vacuuming floor. Operate machine with a back and forth motion or "W" pattern.
4. To operate in the horizontal position, lower handle to the stop point and step on release latch again (Figure 9).

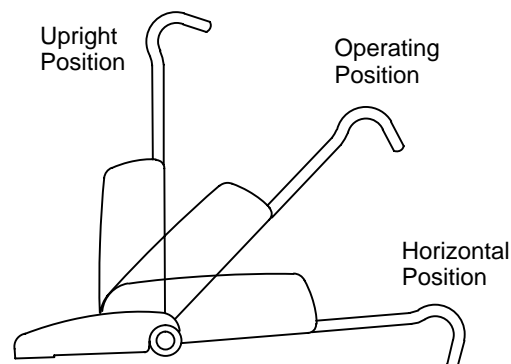


FIG. 9

5. To stop vacuuming, raise handle to the upright position and turn off power switch.

ELECTRONIC SENSOR SYSTEM

The machine's Electronic Sensor System monitors the condition of the machine while operating. The sensor light, located on the bag compartment lid (Figure 10), will indicate the following conditions:

Green Light = Machine Functioning Properly.

OPERATION

Blinking Orange Light = Full Bag or Air Obstruction. Replace bag or remove air obstruction in vacuum hose.

Blinking Red Light = Brush Obstruction or Brush Height set too low (Amp. overload). Remove brush obstruction or readjust brush height.



FIG. 10

To reset sensor system, turn power switch off and then back on again.

NOTE: The vacuum motor is also protected by an internal thermal overload sensor. If motor temperature gets too high, the thermal sensor will shut off motor. Sensor will automatically reset when motor cools.

WAND OPERATION

The machine is equipped with a “ready to use” wand and crevice tool.

Contact local distributor for Optional Tool Kit #604802
Kit includes: Upholstery Tool and Dusting Brush.

1. Stand machine upright. When upright, the power to the brush motor automatically shuts off.

ATTENTION: When using the wand, keep machine upright to prevent possible carpet damage.

2. Detach wand from retainer clip and attach crevice tool located on carrying handle (Figure 11).



FIG. 11

3. Activate ON/OFF switch.

! WARNING: Do Not Pick Up Flammable Or Toxic Materials, Burning Or Smoking Debris.

The wand's hose expands up to 2.4m (8 ft) in reach (Figure 12)



FIG. 12

MACHINE MAINTENANCE

To keep machine in good working condition, simply follow machine's daily, weekly and quarterly maintenance procedures.

FOR SAFETY: When servicing machine, unplug cord from wall outlet.

DAILY MAINTENANCE (Every 4 Hours of Operation)

1. Check filter bag for fullness, replace bag as needed. Do not reuse paper bags. Inspect optional cloth bag for tears or holes, replace if damaged.
2. Remove entangled debris from brush.
3. Inspect vacuum hose for damage and clogged debris.
4. Inspect power cord and strain relief for damage. Replace if necessary.
5. Wind power cord around cord hooks rather than loosely looped over handle.
6. Clean machine housing with an all purpose cleaner and damp cloth.

WEEKLY MAINTENANCE (Every 20 Hours of Operation)

1. Remove secondary filter and tap or blow off dust build-up, filter is located below filter bag. Do not clean with water. Replace filter if needed (Figure 13).



FIG. 13

2. Remove exhaust cover and inspect exhaust filter (Figure 14). Replace filter if needed.



FIG. 14

3. Inspect brush bristles for wear. If bristles are worn to 14mm (0.56 in.) or less in length, see Brush Maintenance.

QUARTERLY MAINTENANCE (Every 250 Hours of Operation)

Check motors for carbon brush wear. Replace brushes when worn to a length of 10mm (0.38 in.) or less.

Contact an Authorized Service Center for carbon brush inspection.

FOR SAFETY: When servicing machine, unplug cord from wall outlet.

FOR SAFETY: When servicing machine all repairs must be performed by a qualified service person.

BRUSH MAINTENANCE

If brush bristles are worn to 14mm (0.56 in.) or less, rotate the bearing blocks to extend brush life as follows:

FOR SAFETY: When servicing machine, unplug cord from wall outlet.

1. Remove metal brush shoe from brush base (Philips screwdriver is required).

2. Remove brush assembly. Grip brush on opposite side of belt and pull outward.
3. Inspect drive belt(s) for wear; replace if necessary.
4. Rotate both bearing blocks 180° and reinstall brush (Figure 15).

NOTE: Brush bearing blocks are labeled with numbers. To extend brush life, position label "2" outwards when reinstalling brush.

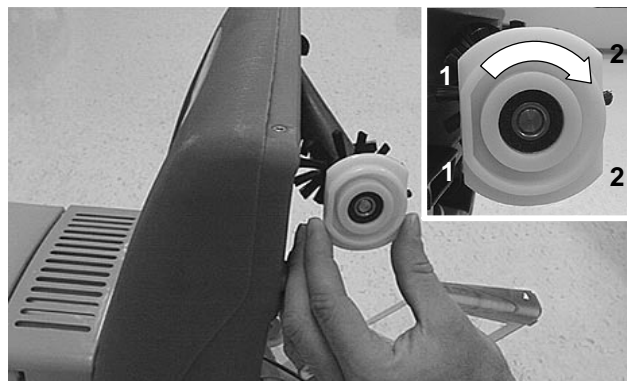


FIG. 15

5. Replace metal brush shoe after brush is properly installed.

FOOT LATCH ADJUSTMENT

Foot latch adjustment is required if machine handle doesn't lock in the upright position and/or brush motor continues to run while in the upright position. Follow adjusting instructions below:

FOR SAFETY: When servicing machine, unplug cord from wall outlet.

1. Lay vacuum cleaner face down.
2. Loosen foot latch screw, 10mm wrench required (Figure 16).
3. Turn adjustment bushing to realign foot latch, 16mm wrench required. Bushing has an off-center hole to allow for foot latch adjustment.

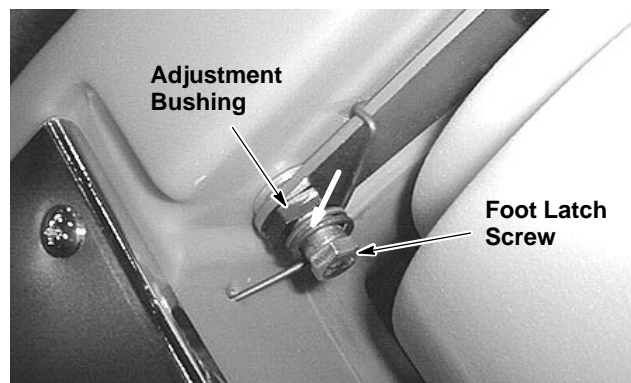


FIG. 16

4. Retighten foot latch screw.

OPERATION


STORING MACHINE

Store machine in a dry area in the upright position.

ATTENTION: Do not expose to rain. Store indoors.

RECOMMENDED STOCK ITEMS

Refer to Parts List section for recommended stock items. Stock Items are clearly identified with a bullet preceding the parts description. See example below (Figure 17):



Ref.	Part No.	Description	Qty.
1	701103	ASM., STANDPIPE	1
2	100513	•FLOAT, SHUTOFF	1
3	230187	NIPPLE	1
4	101714	•GASKET	1
5	210240	NUT, FLANGED	1

FIG. 17

TROUBLE SHOOTING

PROBLEM	CAUSE	SOLUTION
Machine does not operate.	Filter bag not installed.	Install filter bag.
	Faulty power cord.	Contact Service Center.
	Faulty ON/OFF switch.	Contact Service Center.
	Faulty electronic sensor system.	Contact Service Center.
	Loose wiring.	Contact Service Center.
	Building circuit breaker tripped.	Reset circuit breaker.
Vacuum motor does not operate.	Internal thermal overload sensor tripped in vacuum motor.	Remove air obstruction. Let motor cool for 20 minutes.
	Faulty electronic sensor system.	Contact Service Center.
	Worn carbon brushes in vacuum motor.	Contact Service Center.
	Defective vacuum motor.	Contact Service Center.
Brush does not operate.	Electronic sensor system activated (blinking red light).	Turn off machine. Inspect brush for obstruction or readjust brush height.
	Loose or broken brush belt(s).	Replace belt(s).
	Defective brush motor.	Contact Service Center.
	Faulty electronic sensor system.	Contact Service Center.
Poor vacuum performance.	Full bag (blinking orange light).	Replace bag.
	Loose vacuum hose connections.	Tighten hose connections.
	Defective vacuum hose.	Replace hose.
	Clogged secondary filter.	Clean or replace secondary filter.
	Bag compartment lid not closed tightly.	Close lid.
Poor brush pick-up.	Improper brush height.	Adjust brush height.
	Entangled debris in brush.	Remove clogged material.
	Worn brush bristles or bearings.	See BRUSH MAINTENANCE.
	Loose drive belt(s).	Inspect belt(s), replace if needed.

OPERATION

SPECIFICATIONS

MODEL	120V
LENGTH	368mm (14.5 in.)
WIDTH	356mm (14.0 in.)
HEIGHT	1194mm (47.0 in.)
WEIGHT	9.5 Kg (21 lbs) without power cord
BRUSH MOTOR	120V, 0.1hp, 1A, 3000 rpm
VACUUM MOTOR	120V, 1hp, 7.9A, 915W
POWER CORD LENGTH	12m (40 ft.)
SWEEPING PATH WIDTH	356mm (14 in.) includes edge cleaning
VACUUM BAG CAPACITY	5 L (5.2 qts)
FILTRATION SYSTEM	Triple filtration: Filter bag, secondary filter and exhaust filter. High efficiency (99.9%) to 0.1 micron
DECIBEL RATING AT OPERATOR'S EAR, INDOORS ON CARPET	69.5 dB(A)

Este manual se incluye con cada nueva aspiradora vertical. Proporciona las instrucciones necesarias de operación y mantenimiento, y lista de las piezas.

Lea completamente este manual y entienda la máquina antes de operarla o repararla.

Al pedir piezas de repuesto usar la sección de Listas de Piezas en este manual. Antes de pedir piezas o suministros, asegurarse de tener el número de modelo y de serie. Las piezas y suministros pueden ser pedidos por teléfono o por correo de cualquier Centro de Servicio o Distribuidor, Autorizados.

Esta máquina proporcionará un servicio excelente. Sin embargo, los mejores resultados serán obtenidos a los costos mínimos si:

- La máquina se opera con un cuidado razonable.
- La máquina se mantiene regularmente – según las instrucciones de mantenimiento provistas.
- La máquina se mantiene con las piezas provistas por el fabricante o equivalentes.

DATOS MECANICOS

Por favor complete en momento de instalación para referencia futura.

Modelo No. - _____

Fecha de inst. - _____

No. de serie - _____

INDICE


MEDIDAS DE SEGURIDAD	14	ALMACENAMIENTO DE LA MÁQUINA	21
INSTRUCCIONES DE CONEXION A TIERRA	15	ARTÍCULOS RECOMENDADOS PARA	
ETIQUETAS DE ADVERTENCIA	15	MANTENER EN EXISTENCIA	21
COMPONENTES DE LA MÁQUINA	16	LOCALIZACIÓN DE AVERÍAS	22
INSTALACIÓN DE LA MÁQUINA	16	ESPECIFICACIONES	23
FIJACIÓN DEL MANGO	16	DIAGRAMAS ELECTRICAS	24
INSTALACIÓN DE LA MANGUERA/VARA DE		LISTA DE PIEZAS	26
VACÍO	17	GRUPO DEL ARMAZON DE LA BOLSA	26
PREPARACION DE LA MÁQUINA	17	GRUPO DEL ARMAZON DEL MOTOR DE	
OPERACIÓN DE LA MÁQUINA	18	VACIO	28
SISTEMA DEL SENSOR ELECTRÓNICO	19	GRUPO DE LA BASE DEL CEPILLO	30
FUNCIONAMIENTO DE LA VARA	19	OPCIONES	32
MANTENIMIENTO DE LA MÁQUINA	20	JUEGO DE ADITAMENTOS OPCIONALES .	32
MANTENIMIENTO DIARIO	20	BOLSAS DE REPUESTO	32
MANTENIMIENTO SEMANAL	20		
MANTENIMIENTO TRIMESTRAL	20		
MANTENIMIENTO DEL CEPILLO	21		
AJUSTE DEL PESTILLO DE PIE	21		

MEDIDAS DE SEGURIDAD

Esta máquina está destinada solamente al uso comercial. Está diseñada exclusivamente para recoger suciedad, escombros secos y polvo de interiores y no está indicada para ningún otro uso. La recogida de cualquier líquido o polvo peligroso/tóxico está prohibida. Utilice solamente los accesorios recomendados.


Todos los operadores deben leer, entender y practicar las precauciones siguientes de seguridad.

El siguiente símbolo de alerta de advertencia y el encabezamiento de "PARA SEGURIDAD" se usan en este manual como se indica en su descripción:


 **ADVERTENCIA:** Para advertir de riesgos o prácticas inseguras que podrían resultar en lesiones personales graves o la muerte.


PARA SEGURIDAD: Para identificar acciones que deben seguirse para el funcionamiento seguro del equipo.

El no seguir estas advertencias puede resultar en: lesiones personales, electrocución, choque eléctrico, fuego o explosión.


 **ADVERTENCIA:** No use líquidos inflamables ni opere la máquina en o cerca de líquidos y vapores inflamables o polvos combustibles.

Esta máquina no está equipada con motores a prueba de explosión. Los motores eléctricos emiten chispas al arrancar y durante el funcionamiento lo que podría causar un fuego explosivo o explosión si la máquina se usa en una área donde están presentes vapores/líquidos inflamables o polvos combustibles.

 **ADVERTENCIA:** No recoja materiales tóxicos o inflamables ni residuos humeantes o ardiendo.

 **ADVERTENCIA:** No opere con un cordón eléctrico dañado. No modifique el enchufe. Desenchufe el cordón eléctrico antes de reparar la máquina.

Si el cordón del suministro se daña o se rompe, debe ser reemplazado por el fabricante o su agente de servicio o una persona similarmente calificada para evitar un riesgo.

 **ADVERTENCIA:** No use al aire libre o en superficies húmedas. No exponga a la lluvia. Almacén bajo techo.

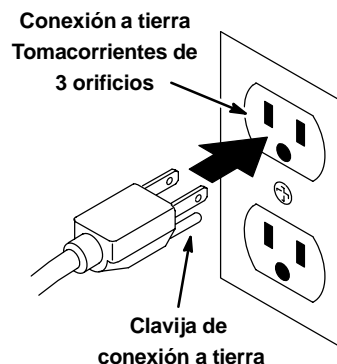
La información siguiente señala condiciones potencialmente peligrosas para el operador o el equipo:

PARA SEGURIDAD:

1. No opere la máquina:
 - En zonas inflamables o donde puedan producirse explosiones.
 - A menos que se capacitó y fue autorizado.
 - A menos que se haya leído y entendido el manual del funcionamiento.
 - A menos que el cordón se conecte apropiadamente a tierra.
 - Con un cordón o enchufe dañados.
 - Si no está en una condición apropiada de operación.
 - Sobre superficies mojadas o húmedas.
 - En áreas al aire libre.
 - Sin haber colocado los filtros y/o la bolsa.
 - Con el uso de una extensión de cordón.
2. Antes de arrancar la máquina:
 - Asegúrese que todos los dispositivos de seguridad están en su lugar y operando apropiadamente.
3. Al usar máquina:
 - No tire de la máquina por el enchufe o el cordón.
 - No tire del cordón alrededor de bordes o esquinas aguzados.
 - No cierra las puertas sobre el cordón.
 - No desenchufe tirando del cordón.
 - No estire el cordón.
 - No maneje el enchufe con las manos húmedas.
 - Mantenga el cordón lejos de las superficies calientes.
 - No recoja restos ardiendo o humeantes como cigarrillos, cerillas o cenizas calientes.
 - Informe inmediatamente acerca de daños o una operación defectuosa de la máquina.
 - Nunca permita que los niños jueguen en o alrededor de la máquina.
4. Antes de salir de o reparar la máquina:
 - Apague la máquina.
 - Desenchufe cordón del tomacorriente de la pared.
5. Al prestar servicio a la máquina:
 - Desenchufe cordón del tomacorriente de la pared.
 - Evite las piezas móviles. No use chaquetas, camisas, o mangas, holgadas.

- Use piezas de repuesto provistas o aprobadas por el fabricante.
- Todas las reparaciones se deben realizar por una persona cualificada para el servicio.
- No modifique la máquina de su diseño original.

enchufe debe enchufarse en un tomacorrientes apropiado correctamente instalado de acuerdo con todos los códigos y ordenanzas locales. No extraer la clavija de conexión a tierra; si falta, reemplazar el enchufe antes de usar.



INSTRUCCIONES DE CONEXION A TIERRA

La máquina debe conectarse a tierra. En caso de mal funcionamiento o desarreglo, la conexión a tierra provee un recorrido de menor resistencia para la corriente eléctrica para reducir el riesgo de choque eléctrico. Esta máquina está equipada con un cordón con un conductor de conexión a tierra del equipo y enchufe de conexión a tierra. El

ETIQUETAS DE ADVERTENCIA

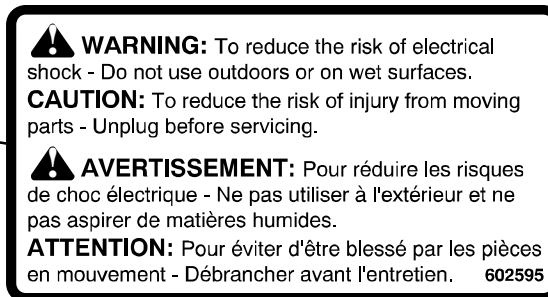
Las etiquetas de advertencia aparecen en la máquina en las ubicaciones indicadas. Reemplace las etiquetas si se dañan o son ilegibles.



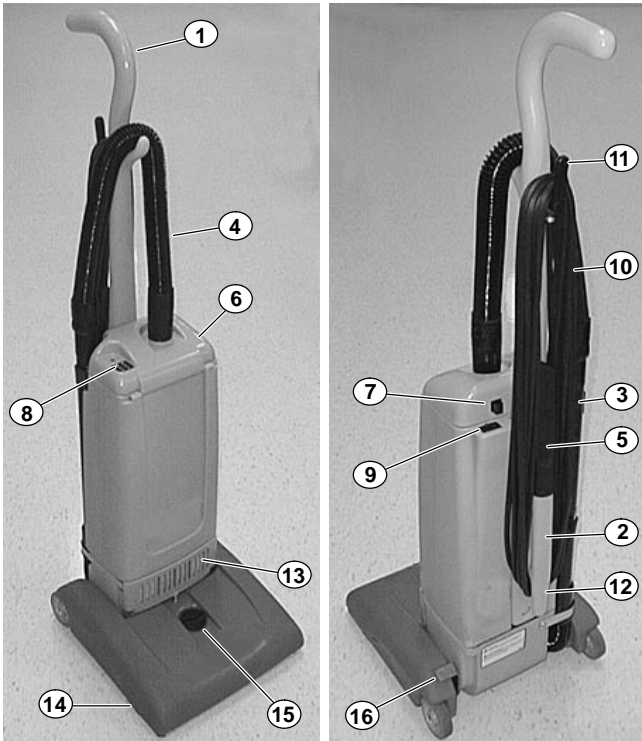
ETIQUETA DE ADVERTENCIA – Situado en la parte trasera de la máquina.



ETIQUETA DE ADVERTENCIA – Situado en la parte trasera de la máquina.



COMPONENTES DE LA MÁQUINA



1. Mango EZGrip
2. Mango de transporte
3. Vara de limpieza
4. Manguera extensible de aspiración
5. Herramienta Onboard para hendiduras
6. Tapa del compartimiento de la bolsa de filtro
7. Pestillo de la tapa de compartimiento de la bolsa
8. Sistema del Sensor electrónico
9. Interruptor de Encendido/Apagado
10. Cordón eléctrico de 12m (40 pies)
11. Gancho de desconexión rápida del cordón
12. Gancho del cordón inferior
13. Tapa del filtro de descarga
14. Base del cepillo con zapata de limpieza de Borde
15. Ajuste de la altura del cepillo
16. Pestillo de desconexión del mango

INSTALACIÓN DE LA MÁQUINA

Inspeccionar cuidadosamente la caja por señales de daño. Informar al transportista inmediatamente acerca de daños observados.

Inspeccionar el contenido de la caja para asegurar que esté completo. Avise al distribuidor por los artículos perdidos.

Contenido de la Máquina:

- La máquina
- Mango
- Manguera/vara de vacío
- Herramienta para hendiduras
- Bolsa de filtro de papel (Preinstalado)
- Filtro secundario (Preinstalado)
- Filtro de descarga (Preinstalado)

FIJACIÓN DEL MANGO

1. Extraer los dos tornillos de montaje del mango, instalados de fábrica, del compartimiento de la bolsa.
2. Conecte los conductores antiestáticos y ajuste los conectores de cable dentro del mango (Figura 1).

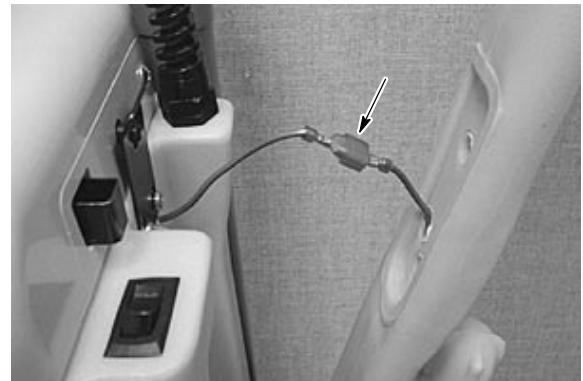


FIG. 1

3. Alinear el mango en el compartimiento de la bolsa y volver a colocar los tornillos bien ajustados (Figura 2).
4. Asegurar el cordón eléctrico con la mordaza del cordón, instalada de fábrica, ubicada en el mango.(Figura 2)

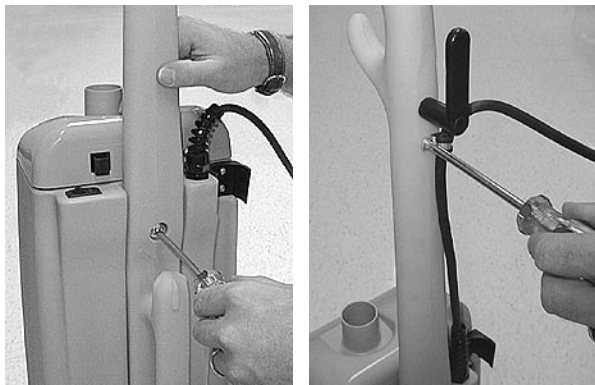


FIG. 2

5. Envolver el cordón eléctrico alrededor del gancho de desconexión rápida y el gancho inferior de la manija.

INSTALACIÓN DE LA MANGUERA/VARA DE VACÍO

1. Deslizar la camisa de la manguera sobre el pico en la tapa del compartimiento y la vara en la camisa de base según se ilustra. Calzar la vara instantánea en la grapa del retenedor (Figura 3).
2. Guardar la herramienta para hendiduras en el mango para transportar (Figura 3).



FIG. 3

PREPARACION DE LA MÁQUINA

⚠ ADVERTENCIA: No opere con un cordón eléctrico dañado. No modifique el enchufe. Desenchufe el cordón eléctrico antes de reparar la máquina.

1. Instale la bolsa del filtro (preinstalada). Deprima el pestillo en la tapa para el compartimiento de la bolsa (Figura 4).

Consultar con el distribuidor para la tela opcional de la bolsa #900034.

NOTA: La máquina no funciona sin una bolsa del filtro en su lugar. El mecanismo protector del motor de vacío detecta automáticamente cuando la bolsa no está instalada.

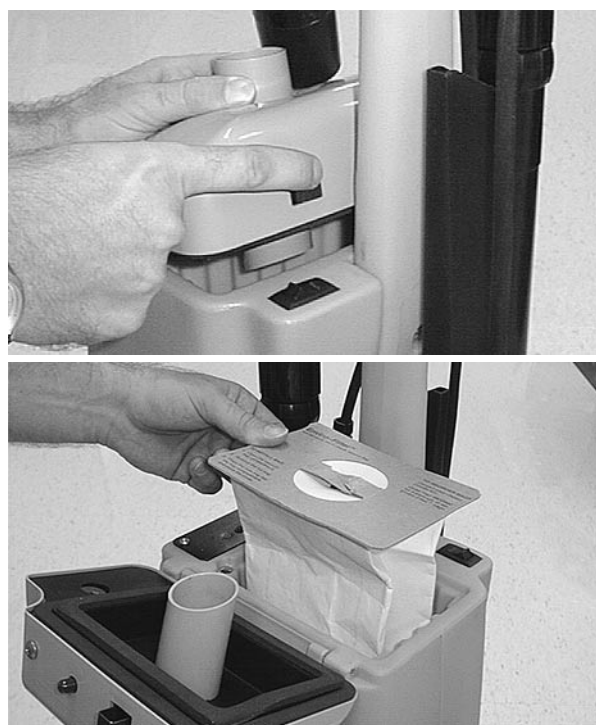


FIG. 4

2. Ajuste de la altura del cepillo. Girar el dial de ajuste de la altura del cepillo a la graduación deseada como sigue (Figura 5):

Graduaciones de la altura del cepillo:

- 1-2 Altura pequeña del pelaje
- 3-4 Altura mediana del pelaje
- 5-6 Altura elevada del pelaje



FIG. 5

3. Tirar de girar el gancho de desconexión rápida para extraer el cordón eléctrico (Figura 6).



FIG. 6

4. Enchufar el cordón eléctrico a un tomacorriente de pared conectado a tierra (Figura 7).

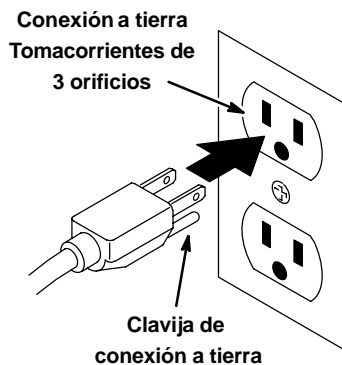


FIG. 7

PARA SEGURIDAD: No operar la máquina a menos que la máquina esté bien conectada a tierra.

PARA SEGURIDAD: No operar la máquina con el uso de un cordón de extensión.

OPERACIÓN DE LA MÁQUINA

PARA SU SEGURIDAD: No utilice la máquina salvo que el operario haya leído y comprendido el manual de instrucciones.

1. Activar el interruptor de ENCENDIDO/APAGADO.

⚠ ADVERTENCIA: No recoja materiales tóxicos o inflamables ni residuos humeantes o ardiendo.

2. Bajar el mango a la posición de operación parándose sobre el pestillo de desconexión del mango (Figura 8).

NOTA: el motor del cepillo no arranca hasta que se baje el mango.

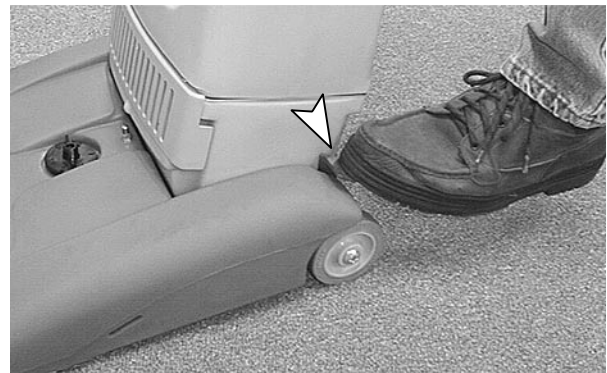


FIG. 8

3. Comenzar a limpiar el suelo con la aspiradora. Operar la máquina con un movimiento de un lado a otro o un recorrido en "W". Para parar, pararse nuevamente sobre el pestillo de desconexión del mango.
4. Para operar en la posición horizontal, bajar el mango a la posición de parada inferior y pisar nuevamente el pestillo de desconexión (Figura 9).

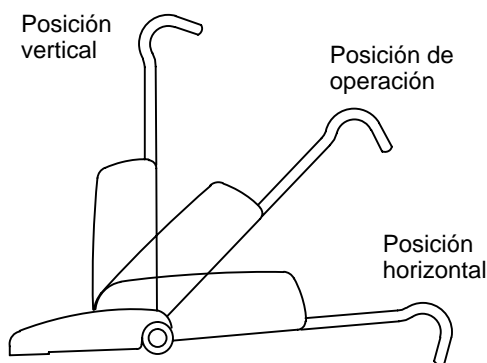


FIG. 9

5. Para dejar de limpiar con aspiradora, levantar el mango a la vertical a apagar el interruptor eléctrico.

SISTEMA DEL SENSOR ELECTRÓNICO

El Sistema del Sensor Electrónico de la máquina supervisa la condición de la máquina mientras está operando. La luz del sensor, ubicado en la tapa del compartimiento de la bolsa (Figura 10), indica las condiciones siguientes:

Luz Verde = Máquina que funciona apropiadamente.

Luz Anaranjada centelleante = Bolsa Llena o área de obstrucción. Reemplazar la bolsa o quitar el área de obstrucción en la manguera del vacío.

Luz Roja centelleante = Obstrucción del Cepillo o Altura del Cepillo demasiado baja (carga excesiva de amperios). Quitar la obstrucción del cepillo o reajustar la altura del cepillo.



FIG. 10

Para restablecer el sistema del sensor, apagar el interruptor eléctrico y encender nuevamente.

NOTA: El motor del vacío también está protegido por un sensor de carga térmica interior excesiva. Si la temperatura de motor se eleva demasiado, el sensor térmico apaga el motor. El sensor se restablece automáticamente cuando el motor se enfría.

FUNCIONAMIENTO DE LA VARA

La máquina está provista con una vara " lista para usar" y una herramienta para hendiduras.

Consultar con el distribuidor local para el Juego de Herramienta Opcional No. 604802 El equipo incluye: Herramienta de Tapicería y el Cepillo para Polvo.

1. Máquina en posición vertical. Cuando está en posición vertical, se corta automáticamente la electricidad al motor de vacío.

ATENCIÓN: Al usar la vara, mantener la máquina vertical para prevenir daños posibles a la alfombra.

2. Separar la vara de la grapa del retenedor y fijar la herramienta de hendiduras ubicada en el mango para transportar (Figura 11).



FIG. 11

OPERACIÓN

3. Activar el interruptor de ENCENDIDO/APAGADO.

⚠ ADVERTENCIA: No recoja materiales tóxicos o inflamables ni residuos humeantes o ardiendo.

La manguera de la vara se extiende a 2.4m (8 pies) de alcance (Figura 12)



FIG. 12

MANTENIMIENTO DE LA MÁQUINA

Para guardar la máquina en un buen estado de funcionamiento buena, simplemente seguir los procedimientos diarios, semanales y trimestrales de mantenimiento.

PARA SEGURIDAD: Al revisar la máquina, desconecte el cable eléctrico del enchufe de la pared.

MANTENIMIENTO DIARIO (Cada 4 horas de uso)

1. Reemplace la bolsa de polvo después de cada uso o según las necesidades. Inspeccione la bolsa de tela por rasguños o agujeros. Sustituirla si está dañada. Nunca lave la bolsa de tela.
2. Quitar los desechos enredados en el cepillo.
3. Inspeccionar la manguera de vacío por daños y obstrucciones por desechos.
4. Inspeccionar el cordón de electricidad y el amortiguador de esfuerzos, por daños. Reemplazar si fuera necesario.
5. Enrollar el cordón de electricidad alrededor de los ganchos del cordón en lugar de flojamente sobre el mango.
6. Limpiar el armazón de la máquina con un limpiador de uso múltiple y un trapo húmedo.

MANTENIMIENTO SEMANAL (Cada 20 horas de uso)

1. Quitar el filtro secundario y golpear suavemente o soplar el polvo acumulado, el filtro está ubicado debajo de la bolsa del filtro. No limpiar con agua. Reemplazar el filtro si fuera necesario (Figura 13).



FIG. 13

2. Quitar la tapa de la descarga e inspeccionar el filtro de descarga (Figura 14). Reemplazar el filtro si fuera necesario.



FIG. 14

3. Inspeccionar las cerdas del cepillo para el uso. Si las cerdas están gastadas a 14mm (0.56 en) o menos en longitud, ver Mantenimiento del Cepillo.

MANTENIMIENTO TRIMESTRAL (Cada 250 horas de uso)

Inspeccione el motor por desgaste de las escobillas de carbón. Reemplace todas las escobillas si se han desgastado a un largo de 10mm (0.38 pulg.) o menos.

Para la inspección de las escobillas de carbón consulte con su Centro Autorizado de Servicio.

PARA SEGURIDAD: Al revisar la máquina, desconecte el cable eléctrico del enchufe de la pared.

PARA SEGURIDAD: Al prestar servicio a la máquina, todas las reparaciones deben realizarse por una persona calificada de servicio.

MANTENIMIENTO DEL CEPILLO

Si las cerdas del cepillo se han gastado a 14mm (0.56 pulg.) o menos, rodar los bloques para prolongar la vida del cepillo como sigue:

PARA SEGURIDAD: Al revisar la máquina, desconecte el cable eléctrico del enchufe de la pared.

1. Quite la zapata de metal del cepillo de la base del cepillo (se requiere un destornillador Philips).
2. Quitar el conjunto del cepillo. Sujetar el cepillo del lado opuesto de la correa y tirar hacia afuera.
3. Inspeccionar la correa(s) por desgaste; reemplazar si fuera necesario.
4. Girar ambos bloques de rodamiento 180 grados y reinstalar el cepillo (Figura 15).

NOTA: Los bloques de los rodamientos del cepillo están rotuladas con números. Colocar en posición el rótulo "2" hacia afuera para reinstalar el cepillo (Figura 15), para prolongar la vida del cepillo.

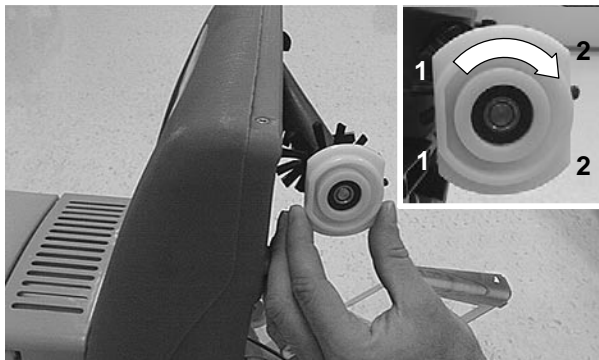


FIG. 15

5. Después que el cepillo se ha instalado correctamente, volver a colocar la zapata de metal del cepillo.

AJUSTE DEL PESTILLO DE PIE

Si la máquina no se bloquea en la posición vertical y/o el motor de vacío continúa funcionando, se requiere ajustar el pestillo de pie.

PARA SEGURIDAD: Al revisar la máquina, desconecte el cable eléctrico del enchufe de la pared.

1. Colocar la aspiradora con el frente hacia abajo.
2. Aflojar el tornillo del pestillo de pie, se requiere una llave de 10mm (Figura 16).
3. Girar el cojinete de ajuste para realinear el pestillo de pie, se requiere una llave de 16mm. El cojinete tiene un orificio fuera del centro para permitir el ajuste del pestillo de pie.

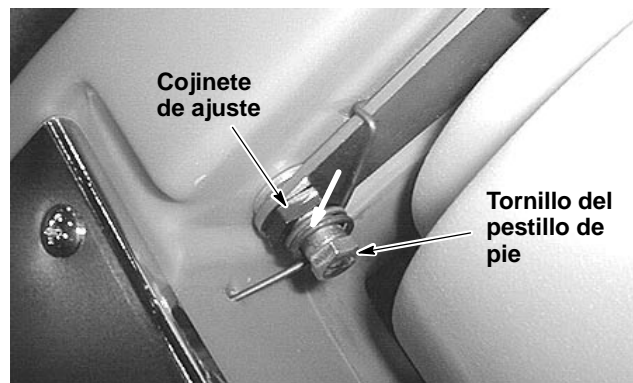


FIG. 16

4. Reajustar el tornillo del pestillo de pie.

ALMACENAMIENTO DE LA MÁQUINA

Almacenar la máquina en un área seca en posición vertical.

ATENCIÓN: No exponga a la lluvia. Almacene bajo techo.

ARTICULOS RECOMENDADOS PARA MANTENER EN EXISTENCIA

Para los artículos recomendados a mantener en existencia referirse a la sección de Lista de Piezas. Los artículos a mantener en existencia están claramente identificados con una bala precediendo a la descripción de los artículos. Ver el ejemplo de abajo:

Ref.	Part No.	Description	Qty.
1	701103	ASM., STANDPIPE	1
2	180513	●FLOAT, SHUTOFF	1
3	230187	NIPPLE	1
4	101734	●GASKET	1
5	210240	NUT, FLANGED	1

FIG. 17

OPERACIÓN

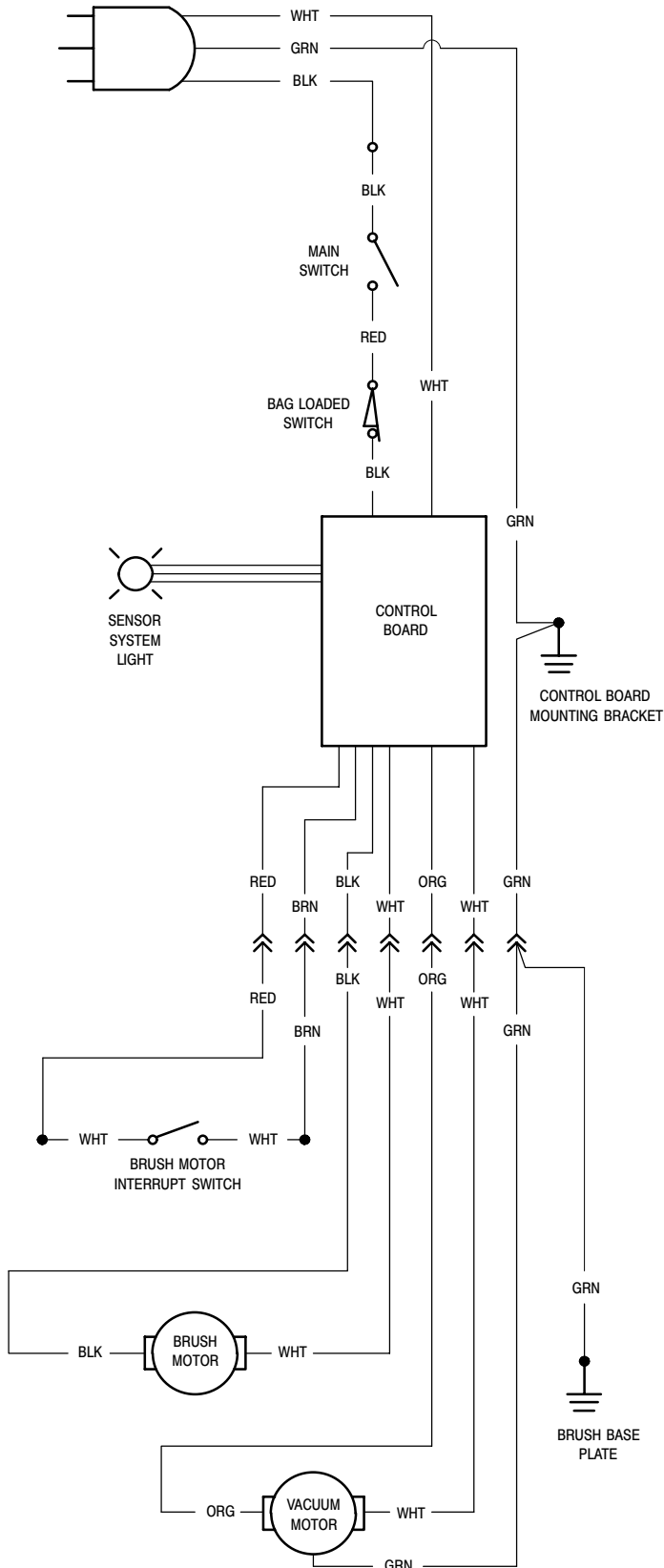
LOCALIZACIÓN DE AVERÍAS

PROBLEMA	CAUSA	SOLUCIÓN
La máquina no funciona.	La bolsa de filtro no está instalada.	Instalar la bolsa de filtro.
	Cordón eléctrico defectuoso.	Consultar con el Centro de Servicio.
	Interruptor de Encendido/Apagado defectuoso.	Consultar con el Centro de Servicio.
	Sistema electrónico defectuoso del sensor.	Consultar con el Centro de Servicio.
	Cableado flojo.	Consultar con el Centro de Servicio.
	Activado el interruptor de circuitos del edificio.	Restablecer el interruptor de circuitos.
El motor de vacío no funciona.	El sensor interno de carga térmica excesiva se ha activado en el motor de vacío.	Quitar la obstrucción de aire. Permitir que el motor se enfríe por 20 minutos.
	Sistema electrónico de sensor defectuoso.	Consultar con el Centro de Servicio.
	Escobillas de carbón gastadas en el motor de vacío.	Consultar con el Centro de Servicio.
	Motor de vacío defectuoso.	Consultar con el Centro de Servicio.
El cepillo no funciona.	Activado el sistema electrónico del sensor (luz roja centelleante).	Apagar la máquina. Inspeccionar el cepillo por obstrucciones o reajustar la altura del cepillo.
	Correa(s) del cepillo floja(s) o rota(s).	Reemplazar la correa(s).
	Motor del cepillo defectuoso.	Consultar con el Centro de Servicio.
	Sistema electrónico del sensor defectuoso.	Consultar con el Centro de Servicio.
Mala aspiración.	Bolsa llena (luz anaranjada centelleante).	Reemplazar la bolsa.
	Conexiones flojas de la manguera de vacío.	Ajustar las conexiones de la manguera.
	Manguera de vacío defectuosa.	Reemplazar la manguera.
	Filtro secundario taponado.	Limpiar o reemplazar el filtro secundario.
	La tapa del compartimiento de la bolsa no está bien ajustada.	Cerrar la tapa.
Mala aspiración del cepillo.	Altura inadecuada del cepillo.	Ajustar la altura del cepillo.
	Desechos enredados en el cepillo.	Quitar el material obstructor.
	Cerdas o rodamientos gastados.	Ver MANTENIMIENTO DEL CEPILLO.
	Correa(s) propulsora(s) flojas.	Inspeccionar la correa(s), reemplazar si fuera necesario.

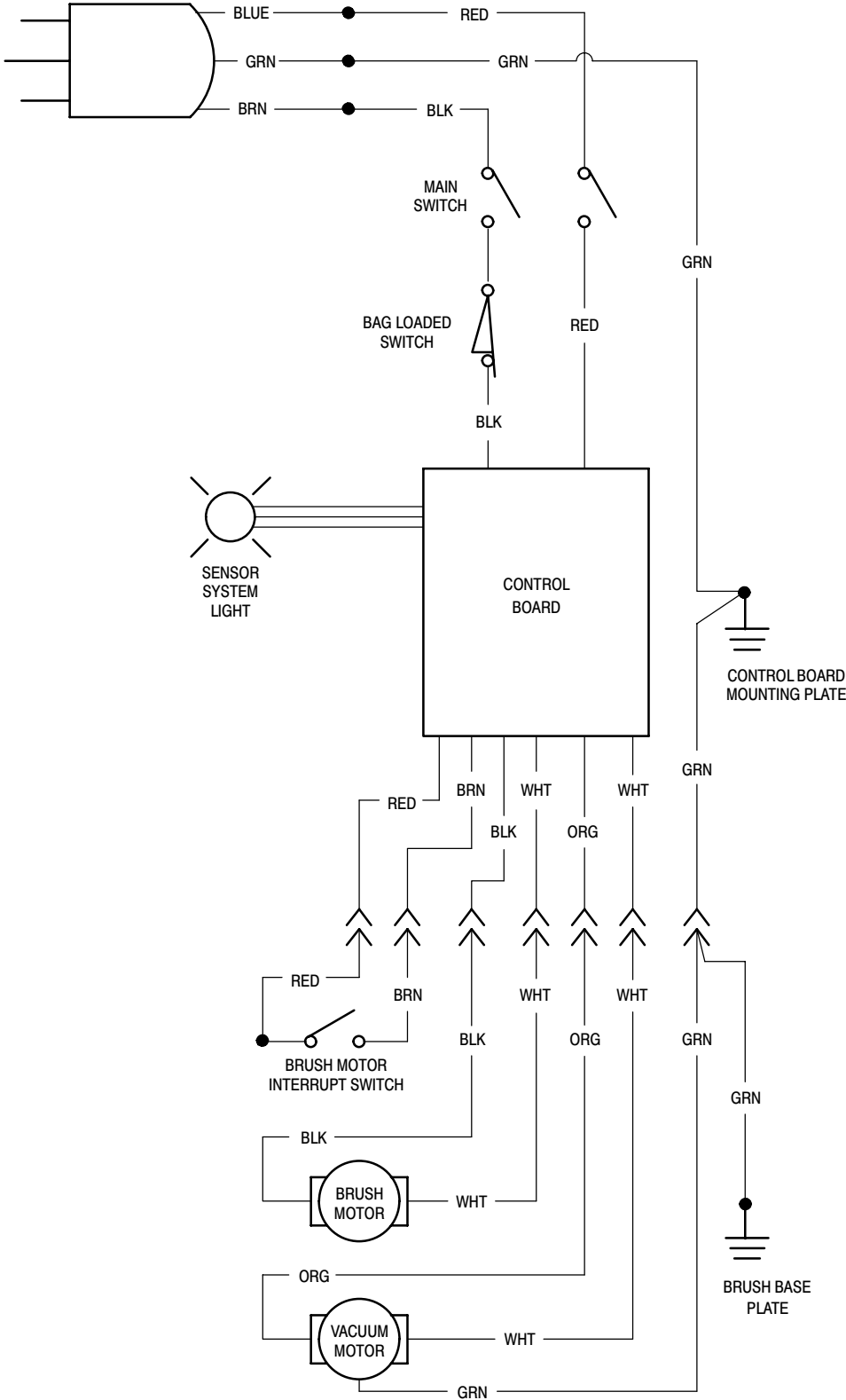
ESPECIFICACIONES

MODELO	120V	220V/230V/240V
LARGO	368mm (14.5 pulg.)	368mm (14.5 pulg.)
ANCHO	356mm (14.0 pulg.)	356mm (14.0 pulg.)
ALTO	1194mm (47.0 pulg.)	1194mm (47.0 pulg.)
PESO	9.5 Kg (21 lbs)	9.5 Kg (21 lbs)
MOTOR DEL CEPILLO	120V, 0.16hp, 1A, 3000 rpm	230V, 0.1hp, 0.5A, 3000 rpm
MOTOR DE VACIO	120V, 1.2hp, 7.9A, 915 vatios	230V, 1.2hp, 3.8A, 874 vatios
LARGO DEL CORDON ELECTRICO	12m (40 pies)	12m (40 pies)
ANCHO DE BARRIDO	356mm (14 pulg.) incluye limpieza del borde	356mm (14 pulg.) incluye limpieza del borde
CAPACIDAD DE LA BOLSA DE VACIO	5 L (5.2 quart.)	5 L (5.2 quart.)
SISTEMA DE FILTRACION	Filtración triple: Bolsa de filtro, filtro secundario y filtro de descarga. Alta eficiencia (99.9%) a un 0.1 micrón	Filtración triple: Bolsa de filtro, filtro secundario y filtro de descarga. Alta eficiencia (99.9%) a un 0.1 micrón
CLASIFICACION DE DECIBELES EN EL OIDO DEL OPERADOR, INTERIOR SOBRE ALFOMBRA	69.5 dB(A)	69.5 dB(A)

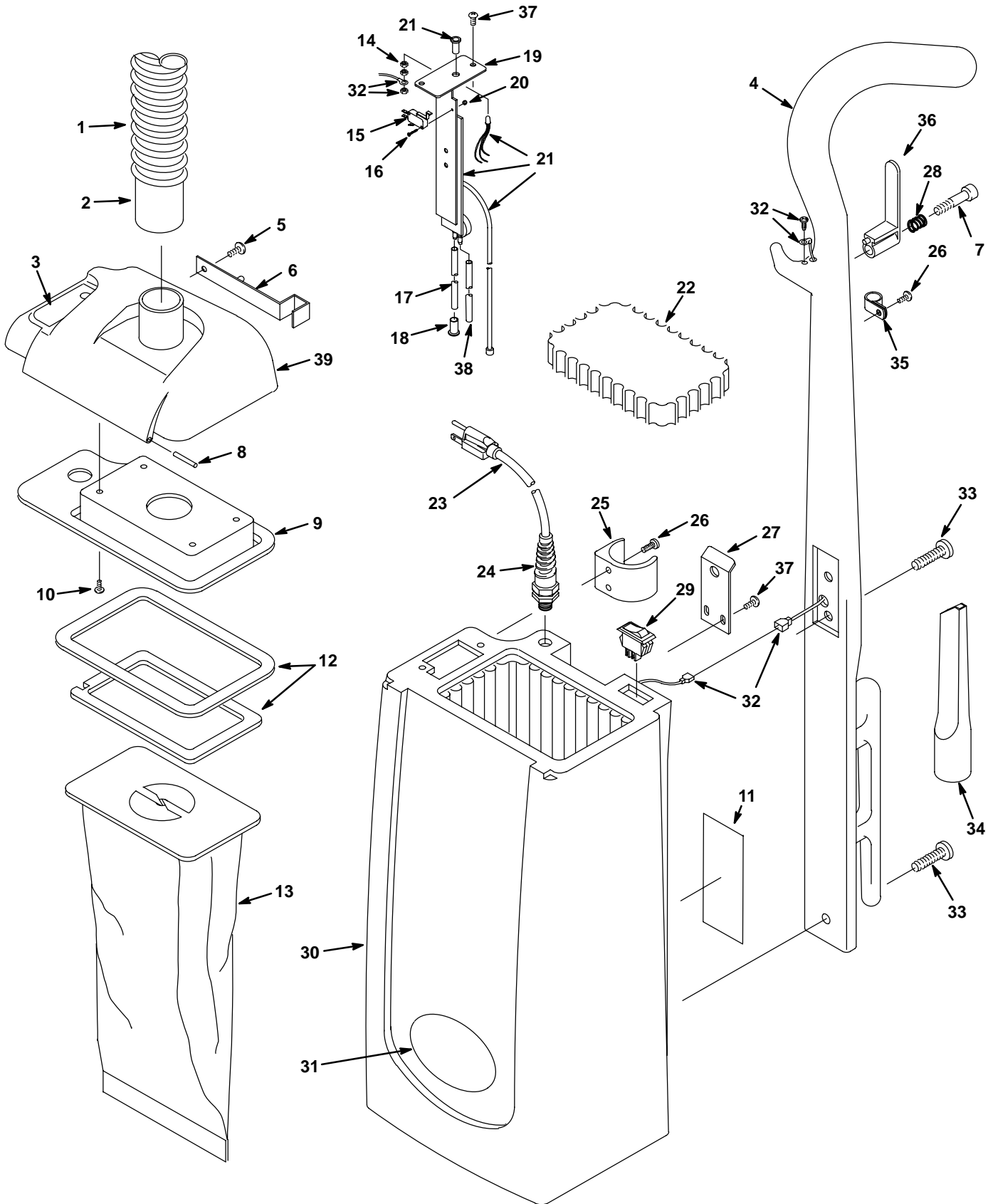
120V



220V/230V/240V



BAG HOUSING GROUP
GRUPO DEL ARMAZON DE LA BOLSA



BAG HOUSING GROUP
GRUPO DEL ARMAZON DE LA BOLSA

REF	PART #	DESCRIPTION	QTY.
▽	605011	●ASM., VAC HOSE WAND	1
▲ 1	604840	HOSE, VAC WAND 1-1/4 ID	1
▲ N/S	604841	WAND, 35MM ID X 19 LG SWIVEL	1
▲ 2	604929	CUFF, 1-1/4"	1
3	605998	LABEL, INDICATOR LIGHT	1
4	609417	HANDLE, GREEN	1
5	604930	SCREW, M5X.8X10 TRSPHL	1
6	605016	LATCH, LID	1
7	200017494	SCREW, M8X30 SHLDR	1
8	603114	DOWEL, 1/8 DIA X 1-1/4	2
9	604836	PLATE, BOTTOM LID	1
10	140825	SCREW, #6X1/2 PANPHL	4
11	613279	LABEL, WARNING AC VACUUM	1
12	604833	●GASKET, LID	1
13	604838	●BAG, PAPER (100 CASE)	1
14	140297	NUT, M5 HEXLCK	2
15	604839	●SWITCH, SNAP ACTION ON/OFF	1
16	200070266	SCREW, M3X.5X16 PANPHL	2
17	606357	HOSE, 1/8ID X 1/4OD, 18"	1
18	605984	BUSHING, BAG-FULL-HOSE	1
19	604835	BRACKET, SWITCH/LIGHT	1
20	579211	NUT, M3 HEXLCK	2
21	605994	●CONTROL BOARD (120V)	1
22	604832	●FILTER, VAC MOTOR (SECONDARY)	1
23	604842	●CORD, 18/3 X 40' GRAY (120V)	1
24	130166	●CORD GRIP, NYLON/BLK W/NUT	1

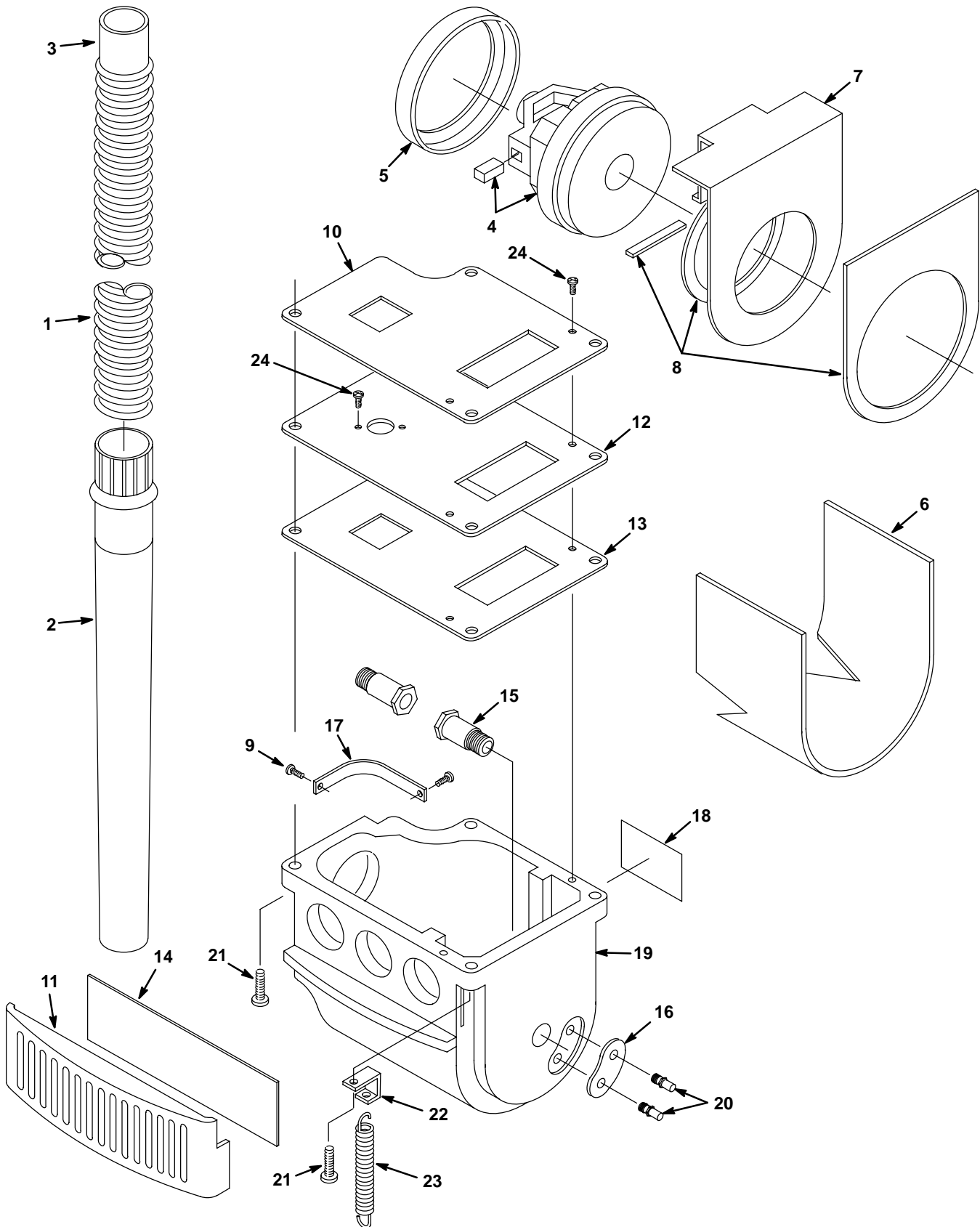
REF	PART #	DESCRIPTION	QTY.
25	604847	●CLIP, WAND	1
26	607006	SCREW, M4X.7X12 TRSPHL	3
27	604844	STRIKE, LID LATCH	1
28	611311	●SPRING, COMPRESSION	1
29	578005000	●SWITCH, ROCKER ON/OFF (120 VOLT)	1
30	609415	HOUSING, BAG, GREEN	1
31	605013	LABEL, VIPER LOGO	1
▽ 32	607286	KIT, ANTI-STATIC WIRING	1
▲	130130	TERMINAL, RING #10	1
▲	140297	NUT, M5 HEX	1
▲	607284	ASM., WIRE #18X18GRN 1/4F	1
▲	130133	TERMINAL, 1/4M	1
▲	607285	ASM., WIRE #18X18GRN #6 RING	1
▲	140825	SCREW, #6X1/2 PANPHL	1
33	607137	SCREW, M6X1X35 TRSPHL	2
34	604804	●TOOL, CREVICE 35MM (1.38 IN.)	1
35	140324	●CLAMP, CORD	1
36	610906	●HOOK, CORD QUICK-RELEASE	1
37	606694	SCREW, M4X.7X8 TRSPHL	4
38	608917	HOSE, 1/8ID X 1/4OD, 18" RED	1
39	608678	LID, BAG HOUSING, GREEN	1

▽ ASSEMBLY / CONJUNTO

▲ INCLUDED IN ASSEMBLY / INCLUIDO EN EL CONJUNTO

● RECOMMENDED STOCK ITEMS / ARTICULOS RECOMENDADOS

VACUUM MOTOR HOUSING GROUP
GRUPO DEL ARMAZON DEL MOTOR DE VACIO



VACUUM MOTOR HOUSING GROUP
GRUPO DEL ARMAZON DEL MOTOR DE VACIO

REF	PART #	DESCRIPTION	QTY.
∇	605011	●ASM., VAC HOSE WAND	1
▲ 1	604840	HOSE, VAC WAND 1-1/4 ID	1
▲ 2	604841	WAND, 35MM ID X 19 LG SWIVEL	1
▲ 3	604929	CUFF, 1-1/4"	1
4	604815	●MOTOR, VAC 5.1" (120V)	1
	606382	●CARBON BRUSH (120V) (2 PACK)	2
5	604816	GASKET, VAC MOTOR	1
6	604822	FOAM, NOISE 1/4X14-1/4X5	1
7	604826	INLET PLATE, VAC MOTOR	1
8	605080	GASKET, INLET PLATE	1
9	607006	SCREW, M4X.7X12 TRSPLH	2
10	606732	GASKET, UPPER CLAMP PLATE	1
11	608679	COVER, EXHAUST FILTER, GREEN	1

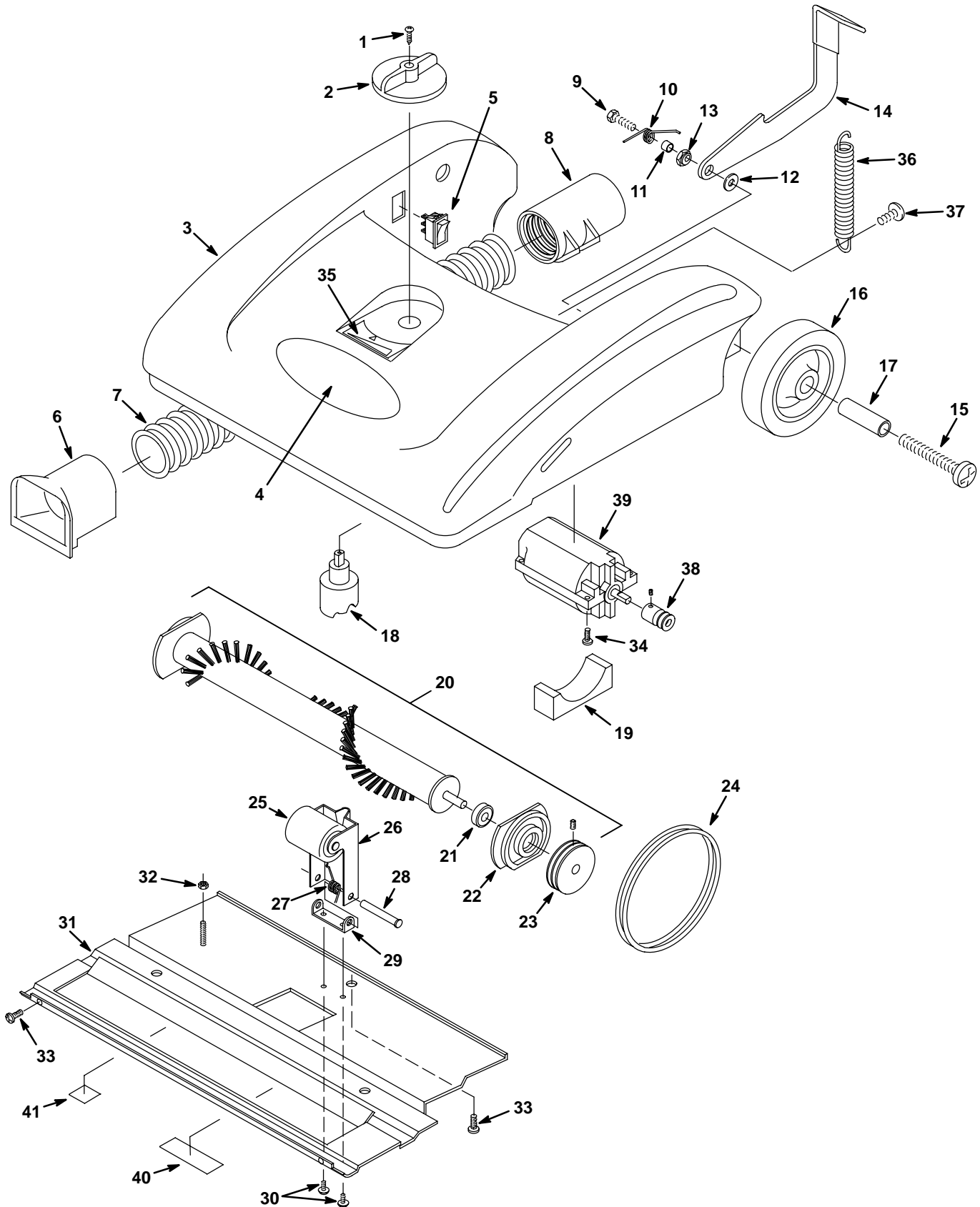
REF	PART #	DESCRIPTION	QTY.
12	606730	CLAMP PLATE, VAC MOTOR	1
13	606731	GASKET, LOWER CLAMP PLATE	1
14	606982	●FILTER, EXHAUST (3 PACK)	1
15	611734	SCREW, SHOULDER PIVOT	2
16	606723	PLATE, FOOT LATCH	1
17	604830	STRAP, WAND CUFF	1
18	602595	LABEL, WARNING VACUUM CSA	1
19	609413	HOUSING, VACUUM MOTOR, GREEN	1
20	604827	STUD, FOOT-LATCH	2
21	607137	SCREW, M6X1X35 TRSPLH	4
22	608196	MOUNT, SPRING VAC HSG	1
23	608071	SPRING, EXT .50X5.00X.067	1
24	579259	SCREW, M4X.7X12 PANPHL	4
N/S	605981	HARNESS, LOWER WIRE	1

∇ ASSEMBLY / CONJUNTO

▲ INCLUDED IN ASSEMBLY / INCLUIDO EN EL CONJUNTO

● RECOMMENDED STOCK ITEMS / ARTICULOS RECOMENDADOS

BRUSH BASE GROUP
GRUPO DE LA BASE DEL CEPILLO



BRUSH BASE GROUP
GRUPO DE LA BASE DEL CEPILLO

REF	PART #	DESCRIPTION	QTY.
1	140825	SCREW, #6X1/2 PANPHL	1
2	604811	KNOB, HT. ADJUSTMENT	1
3	608670	BASE, GREEN	1
4	608189	LABEL, "NOBLES"	1
5	578005000	●SWITCH, ON/OFF ROCKER	1
▽	605010	●ASM., VAC HOSE	1
▲	604805	CUFF, BASE INLET	1
▲	604806	HOSE FLEX 1-1/4 ID	1
▲	604829	CUFF, WAND	1
9	610905	SCREW, M6X1X25 HXHDCP	1
10	610861	SPRING, TORSION FOOT-LATCH	1
11	140154	SPACER, .25X.38X.31	1
12	579210	WASHER, M6 FLAT	1
13	605078	BUSHING, FOOT-LATCH ADJUSTMENT	1
14	604808	LATCH, FOOT BASE	1
15	605079	SCREW, M8X1.25X35 TRSPHL	2
▽	630450	●WHEEL, 76 DIA X 22 WD RUBBER	2
▲	103070	BUSHING, WHEEL	2
18	230754	●CAM, HEIGHT ADJUSTER	1
19	604812	GASKET, FOAM BRUSH MTR	1

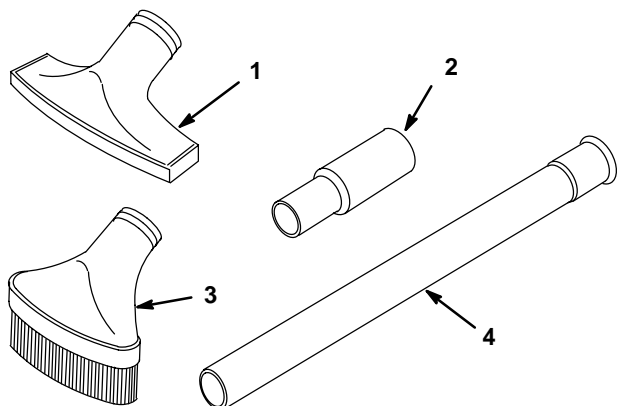
▽ ASSEMBLY / CONJUNTO

▲ INCLUDED IN ASSEMBLY / INCLUIDO EN EL CONJUNTO

● RECOMMENDED STOCK ITEMS / ARTICULOS RECOMENDADOS

REF	PART #	DESCRIPTION	QTY.
▽	20	604803 ●BRUSH ASSEMBLY	1
▲	21	140125 ●BEARING	2
▲	22	230429 ●BLOCK, BEARING	2
▲	23	230348 ●PULLEY, BRUSH (DOUBLE "V")	1
24	230349	●BELT, BRUSH DRIVE	2
▽	501086	●ASM., BASE ROLLER & BRACKET	1
▲	25	605317 ROLLER, BASE HOUSING FRONT	1
▲	26	230753 BRACKET, ROLLER	1
▲	27	140436 SPRING, TORSION HEIGHT ADJUSTMENT	1
▲	28	140710 RIVET, AXLE 3/8 X 1.6	2
▲	29	230769 BRACKET, ROLLER PIVOT	1
30	140264	SCREW, #8-32X1/4 TRSPHL	2
31	606733	SHOE, BASE 14"	1
32	140297	NUT, M5 HEX	1
33	606694	SCREW, M4X.7X8 TRSPHL	5
34	140826	SCREW, #6X3/4 PANPHL	2
35	606691	LABEL, HEIGHT ADJUSTMENT	1
36	608071	SPRING, EXT .50X5.00X.067	1
37	606507	SCREW, M8X1.25X25 PANPHL	1
38	230347	PULLEY, MOTOR (DOUBLE "V")	1
39	130398	●MOTOR, BRUSH DRIVE (120V)	1
40	N/A	LABEL, CSA	1
41	N/A	LABEL, CRI	1

**OPTIONAL ATTACHMENT KIT
JUEGO DE ADITAMENTOS OPCIONALES**



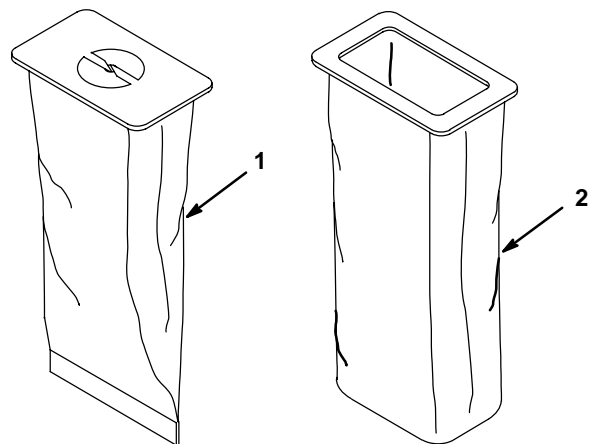
REF	PART #	DESCRIPTION	QTY.
∇	604802	●KIT, ATTACHMENT	1
▲ 1	609194	UPHOLSTERY TOOL	1
▲ 2	609196	ADAPTOR	1
▲ 3	609193	DUSTING BRUSH	1
▲ 4	609195	EXTENSION WAND	1

∇ ASSEMBLY / CONJUNTO

▲ INCLUDED IN ASSEMBLY / INCLUIDO EN EL CONJUNTO

● RECOMMENDED STOCK ITEMS / ARTICULOS RECOMENDADOS PARA MANTENER EN EXISTENCIA

**REPLACEMENT BAGS
BOLSAS DE REPUESTO**



REF	PART #	DESCRIPTION	QTY.
1	611787	●BAG, PAPER (CARTON OF 100)	1
2	900034	●BAG, CLOTH	1