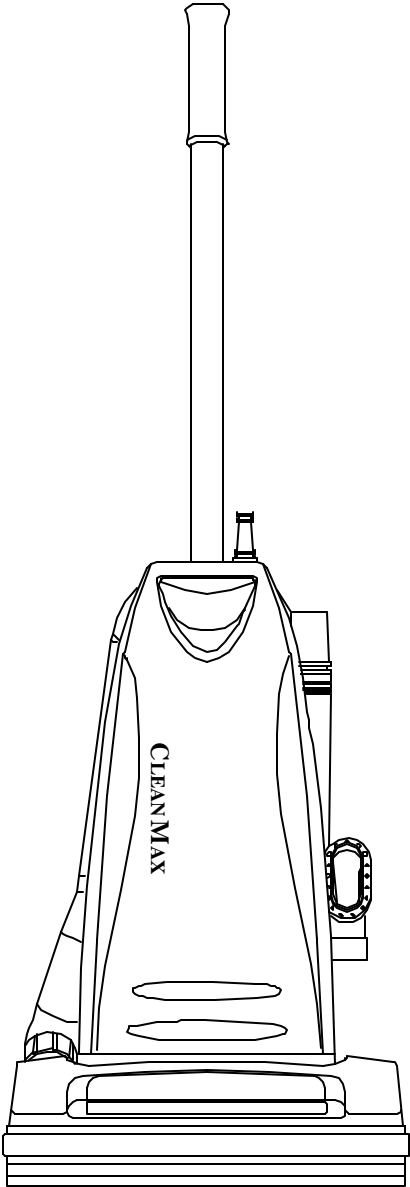


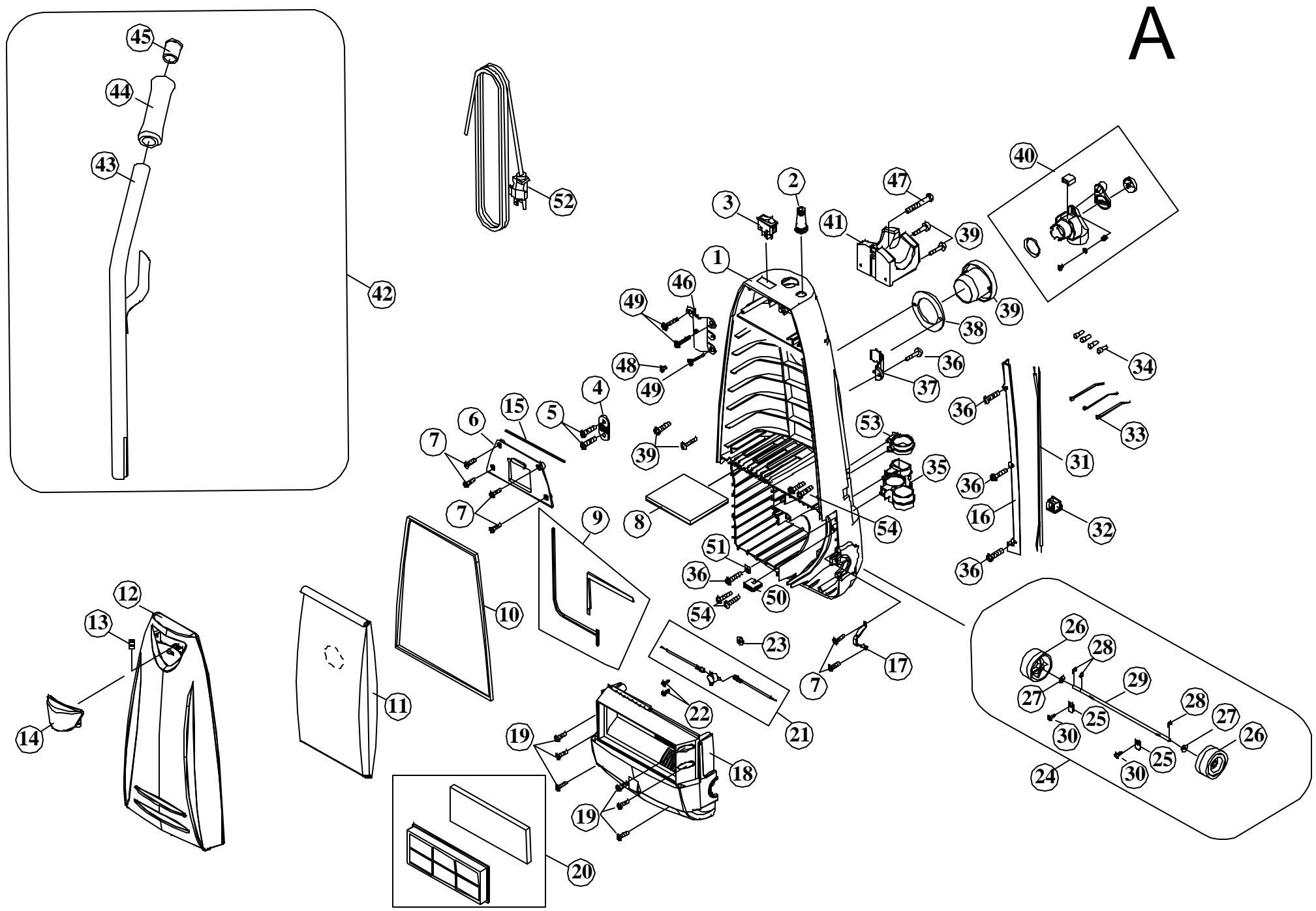
Parts List



**CLEAN MAX
CMPS-1T**

CMPB-CMPS1T

A

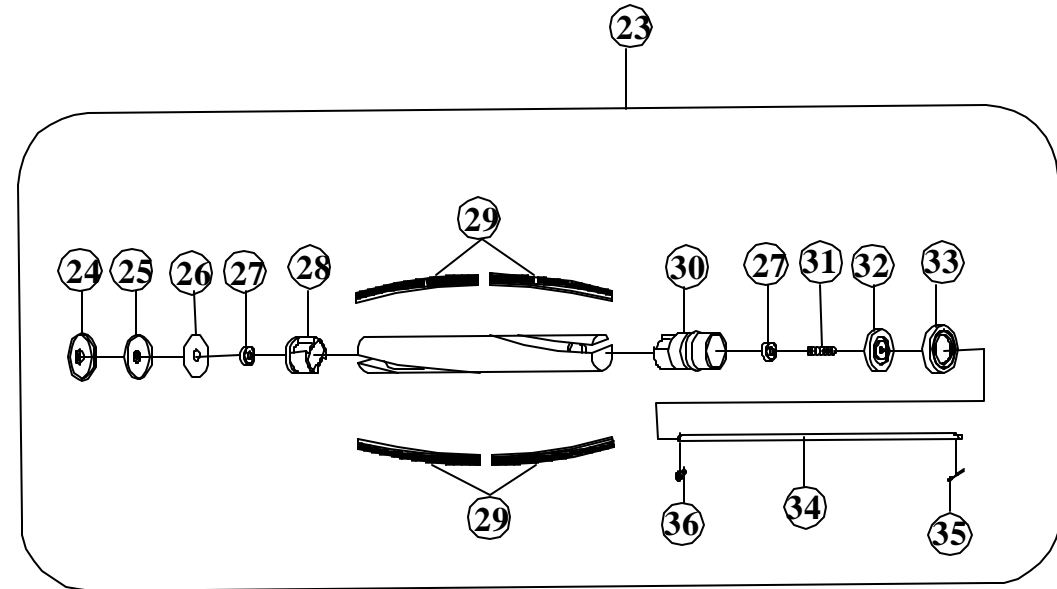
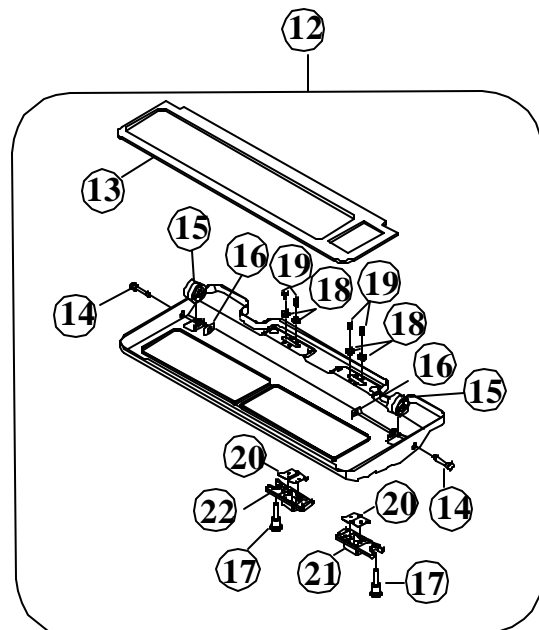
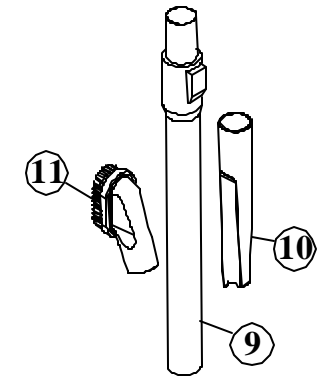
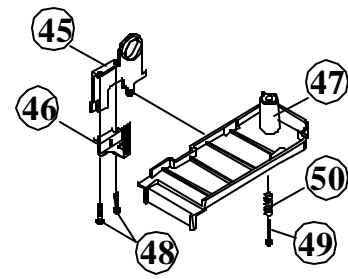
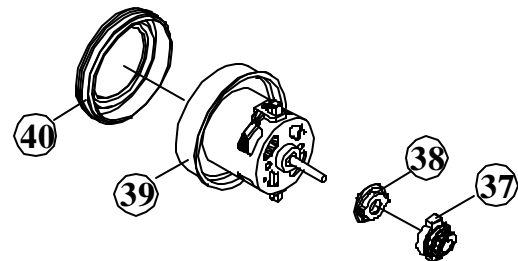
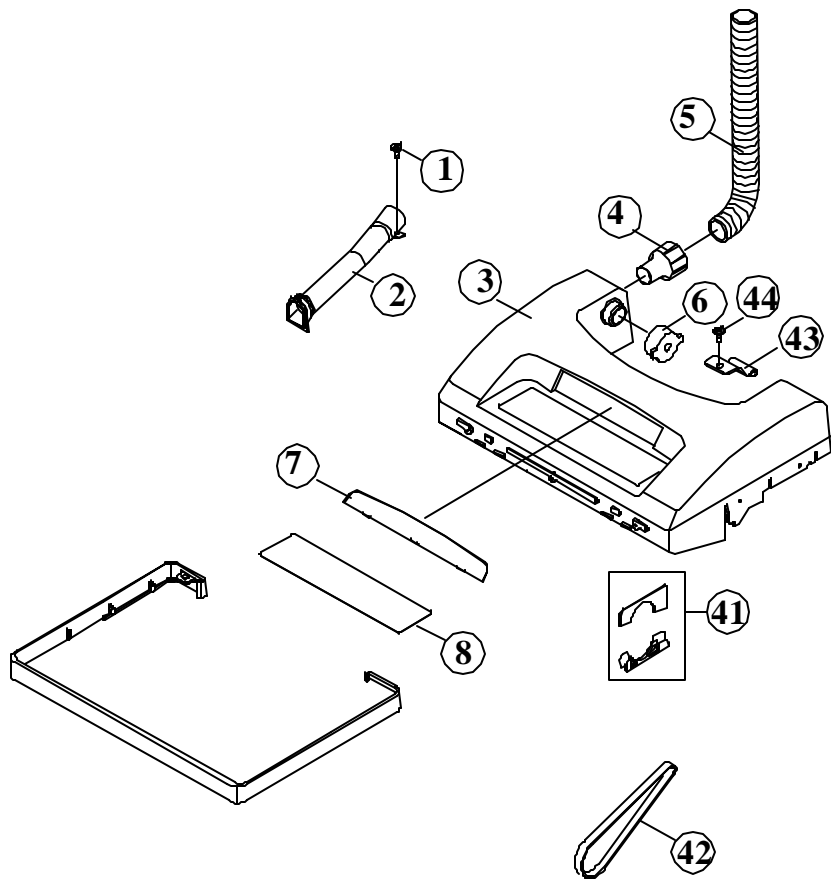


DRAWING A

Clean Max CMPS-1T

KEY	ITEM	CM PART	DESCRIPTION	KEY	ITEM	CM PART	DESCRIPTION
1		CM021001	Dust Compartment	28	A732-0300		Rear Axle Wheel Clip
2	B326-0114		Boot Strain Relief	29	54.135		Rear Wheel Axle
3	25.104		Main Switch	30	A732-8500		Clamp for Rear Axle
4	84.100		Internal Cord Strap	31	B224-3014B		Motor Lead Cord
5	A732-1100		Screw	32	84.109		Bushing for Motor Lead
6	84.102		Switch Cover	33	A732-0100		Zip Tie
7	A732-4500		Screw	34	B123-0100		Wire Connector
8		CMPS-SF	Secondary Filter	35		CM021007	Obt Tool Caddy(Not Shown)
9	84.103		Motor Cover Seal Kit	36	84.110		Screw
10	84.104		Dust Compartment Seal	37	54.137		Hose Clip
11		CMPS-12	Paper Bag	38	Z19		Swivel Inlet Gasket
12		CM021004	Dust Cover	39	B211-0230		Bag Inlet
13	24.700		Latch Spring	40	C625-0131		Suction Inlet Assembly
14	84.105		Dust Cover Release Latch	41	54.140		Hose Hanger
15	84.106		Switch Cover Seal	42		CM031007	Handle Assembly
16	84.107		Motor Cord Holder Plate	43			Handle Tube sold in assembly only
17	84.108		Support Strap	44	54.031		Foam Grip
18		CM021005	Motor Cover	45	B431-1031		Handle Tube Cap
19		CM031006	Screw	46		CM021009	Handle Retainer
20		CMPS-PF	Exhaust Foam Filter & Frame	47	A232-0100		Handle Tube Bolt
21	B333-0400B		Thermal Reset Switch	48	84.110		Ground Screw
22	A732-0700		Screw	49	A732-1100		Screw for Handle Retainer
23	B333-0600		Thermal Switch Seal	50	84.111		Lower DC Cord Retainer
24		CM021006	Rear Wheel & Axle Assembly	51	A430-0405		Washer
25	54.136		Set Washer for Axle	52		CMPS-50C	Power Cord 50' 16/3 Yellow
26	B210-0531		Rear Wheel	53		CM040001	Telescopic Wand
27	A328-0100B		Rear Axle Wheel Washer	54	A732-1200		Screw

B



DRAWING B

Clean Max CMPS-1T

KEY	ITEM	CM PART	DESCRIPTION	KEY	ITEM	CM PART	DESCRIPTION
1	A732-2500		Screw for Inlet Tube	26	B012-0600		Brushroll Felt Washer
2	B017-1131		Nozzle Inlet Tube	27	B012-1300		Brushroll Bearing
3		CM011002	Nozzle Housing	28	B012-0500		Brushroll Bearing Holder
4	B625-0331		Stretch Hose Cuff	29		CMP-STRIP	Brush Insert Strips
5		CM031008	Stretch Hose	30	B012-0400		Brushroll Belt Pulley
6	84.200		Pivot Sleeve Bushing	31	B624-0100		Brushroll Spacing Spring
7		CM011001	Lens Green	32	B012-0800		Brushroll Pulley Metal End Cap
8		CMP-MARK	Clean Max Top Mark	33	B012-0114		Brushroll Pulley End Rubber Cap
9		CM040001	Metal Telescopic Wand	34	B012-1000		Brushroll Shaft
10		CM040002	Crevice Tool	35	A732-0400		Brushroll Spring Clip
11		CM040003	Dusting Brush	36	A732-0200		Brushroll E-Clip
12		CM011007	Base Plate Assembly	37	B123-1300		Metal Pivot Sleeve
13		CM031001	Base Plate Gasket	38		CM031002	Front Rubber Motor Mount
14	B010-0500		Base Plate Wheel Axle	39		CM011010	Motor Assembly
15	B010-0413		Base Plate Wheel	40		CM031003	Rear Rubber Motor Mount
16	A732-2100		Base Plate Wheel Push Nut	41	B017-1200		Vented Support Felt & Fitting
17		CM011012	Base Plate Latch Stud Screw	42		CMPS-BB	Belt
18		AEA0493001	Shoulder Washer f/Latch	43	53.088		Handle Release Spring
19		004230216	Screw for Latch	44		CM031000	Screw f/Handle Release Spring
20		AEA0473000	Base Plate Latch Leaf Spring	45		CM011004	Pedal Frame
21		CM011008	Base Plate Latch Left	46	B014-0500		Rear Belt Guard
22		CM011009	Base Plate Latch Right	47		CM011006	Rear Swivel Belt Cover
23		CMPS010130	Brushroll Assembly	48		CM031003	Screw for Pedal Frame
24	B012-0214		Brushroll Rubber End Caps Left	49		CM031004	Screw for Swivel Belt Cover
25	B012-0700		Brushroll Left Metal Cap	50		CM031005	Spring for Swivel Belt Cover