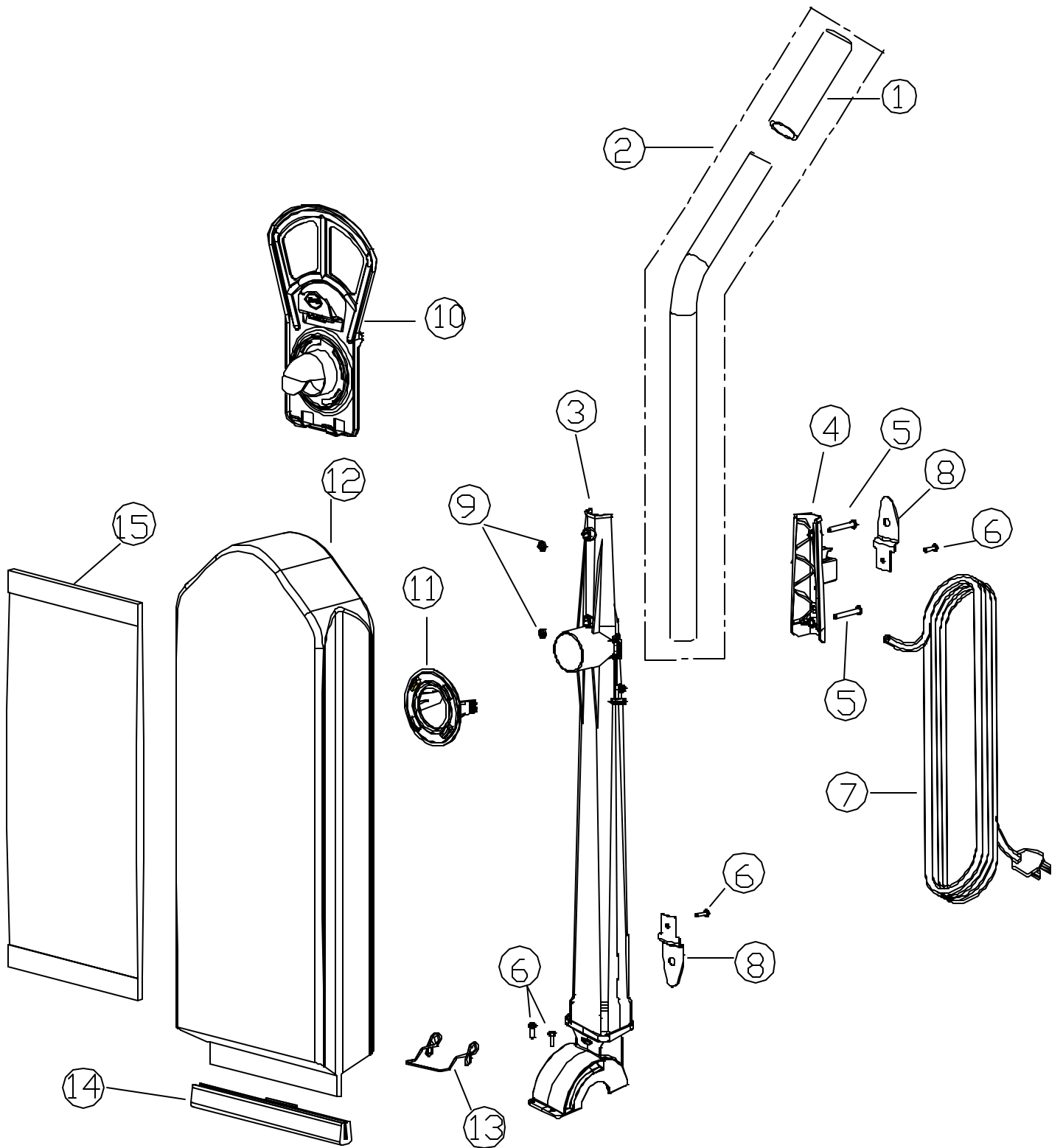


**CLEANMAX**  
**ZM-200**

**PARTS BOOK**

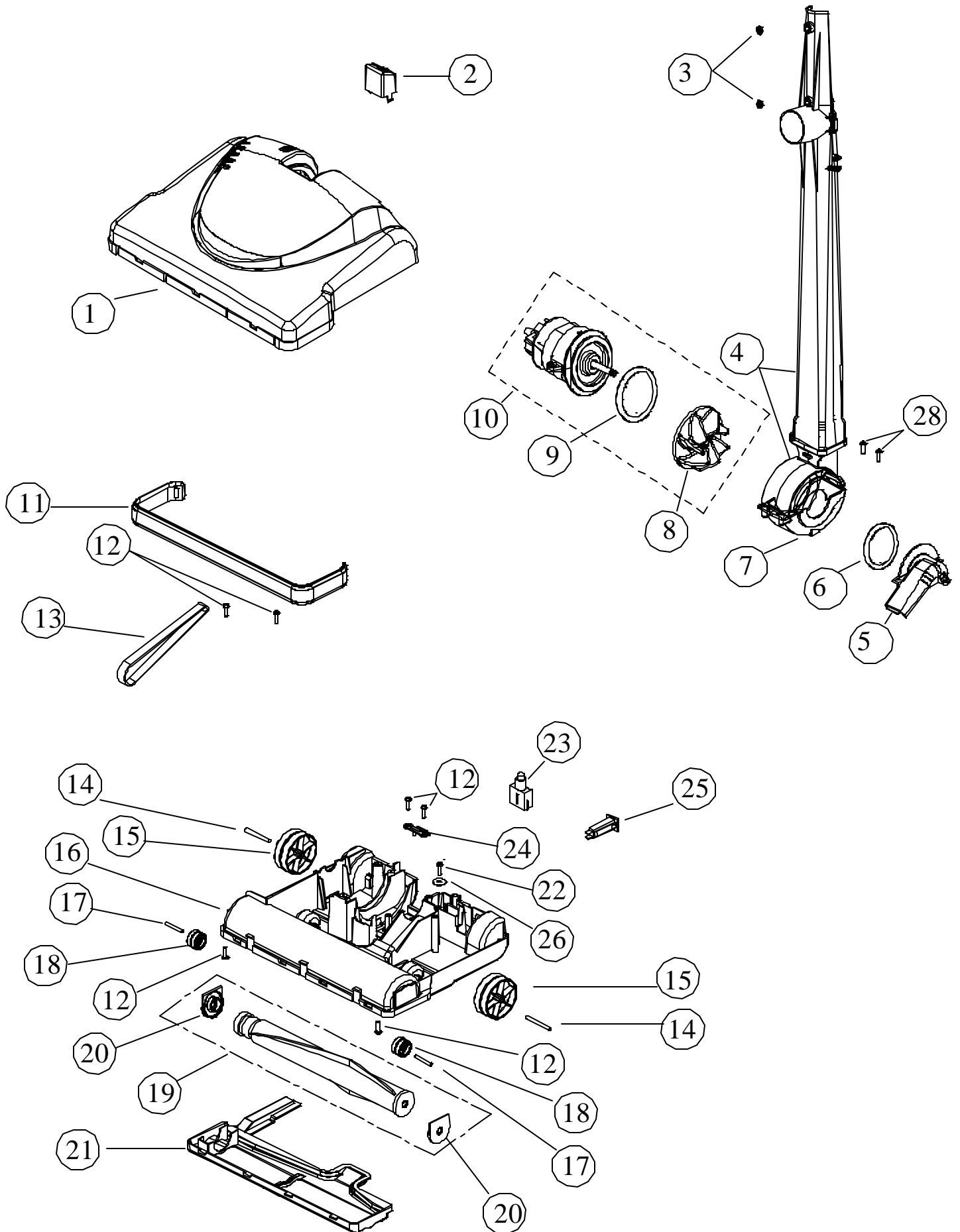
# HANDLE

# ZM-200



**HANDLE****ZM-200**

<b>Key</b>	<b>Parts No.</b>	<b>Description</b>
1	B431-2314	Handle Grip
2	D431-2406	Handle Tube Assembly with Grip
3	C431-3014	Lower Handle Upper Fan Housing
4	B431-2914E	Handle Tube Bracket
5	A432-0705	Screw, #10-32x1.625
6	A732-8314	Screw, #8x5/8"
7	A434-1241	Power Cord
8	B430-1105	Metal Cord Hook
9	A432-0805	Hex Nut
10	B211-2214	Bag Collar Bag Holder
11	B211-2114	Bag Collar Bag Ring
12	B211-3700	Cloth Bag
13	B211-1204	Lowr Bag Spring
14	B211-1914E	Lower Bag Clip
	A732-3600	Bag Clip Plug (Not Shown)
15	CMZM-H6	HEPA Bag (6 pack)
	CMZM-P6	Paper Bag (6 pack)



**NOZZLE****ZM-200**

<b>Key</b>	<b>Parts No.</b>	<b>Description</b>
1	B017-3714	Nozzle Housing
2	B028-0014	Foot On/Off Pedal
3	A432-0805	Hex Nut
4	C431-3014	Lower Handle Upper Fan Housing Assembly
5	B123-3814	Fan Duct Cover
6	A121-0200E	Fan Duct Cover Felt Ring Seal
7	B123-3614	Lower Fan Housing
8	B123-3000	Fan
9	A121-0100E	Motor Bracket Felt Ring Seal
10	D113-1200	Motor/Fan Assembly
11	B029-0314	Furniture Guard
12	A732-8314	Screws
13	CMZM-BB	Belt (Bulk)
	CMZM-B2	Belt (2 pack)
14	B010-0101	Large Wheel Axle
15	B350-6531	Wheel Rear
16	D016-1114	Base Tray Assembly
17	B010-0001	Base Plate Wheel Axle
18	B010-2131	Base Plate Wheel
19	B012-2800C	Wood Agitator w/End Caps
20	B012-2914	End Cap
21	B015-2014	Base Plate Cover
22	A732-2500	Combination Screw (m4x12)
23	B018-0041	On/Off Foot Switch
24	B016-1230	Upright Stop
25	A028-0114	Circuit Breaker
26	B034-0100	Strain Relief Washer